

TESLA



VCR600W

User Manual

ENG BIH/CG BG GR HR HU MK RO SLO SRB

SMART ROBOT
VACUUM CLEANER

Household Use only.
Read this instruction manual carefully before using.

Thanks for choosing Smart Robot Vacuum Cleaner!

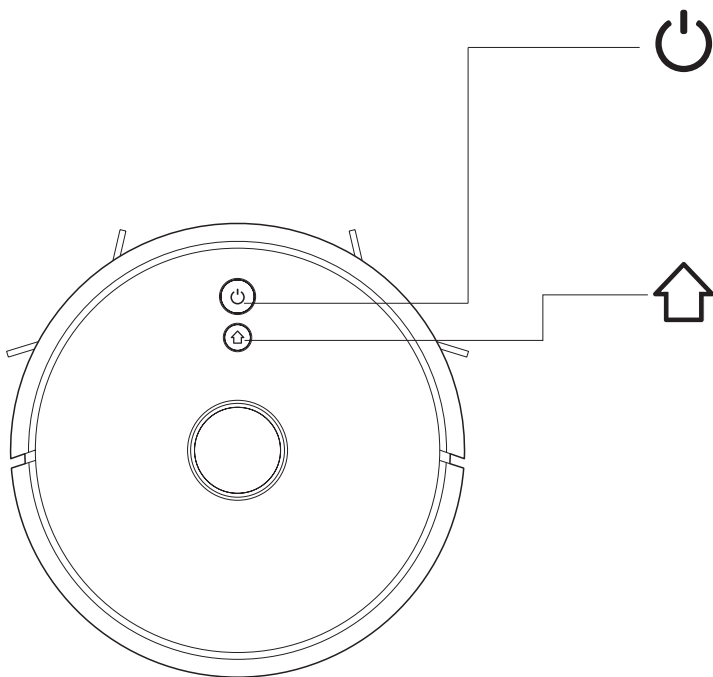
It is a high-end intelligent planning cleaning robot which combines high accuracy radar and various sensors can realize collaboration through navigation algorithm, draw a room map in real time and plan the cleaning route and features automatic cleaning and automatic charging without manual intervention. It has ultrastrong suction power, high-capacity drawer type dust box, washable HEPA filter screen and split type mopping module and adopts an efficient cleaning mode of first cleaning and then mopping.

You can download the mobile APP by smart phone to check the cleaning map and running status of the robot in APP in real time, define the cleaning area and schedule. You can control the robot remotely. Science and technology makes life better.

May you have a nice usage experience!

PRODUCT INTRODUCTION

Key Function



Sweep/ON &OFF

- Short press to start Sweep/Pause
- Long press for 3s for ON/OFF
- Long press for 15s for forced shutdown under abnormal circumstances

Recharging/ local cleaning

- Short press Recharge/Pause
- Long press to start local cleaning

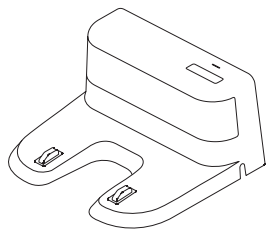
Indicator light

- Blue: Normal operation or charging
- Red: Abnormal condition or low battery
- Purple: Equipment is not connected to the network

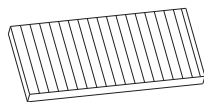
Reset WiFi

- Press two buttons simultaneously for 3s

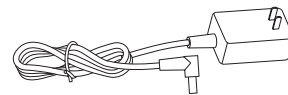
Parts List



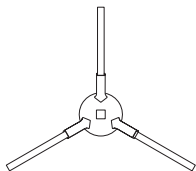
Charging base x1



HEPA filter + sponge filter x1



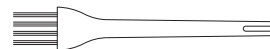
Adapter x1



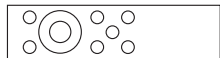
Left side brush x2
Right side brush x2



Cleaning brush with knife x1 (optional)

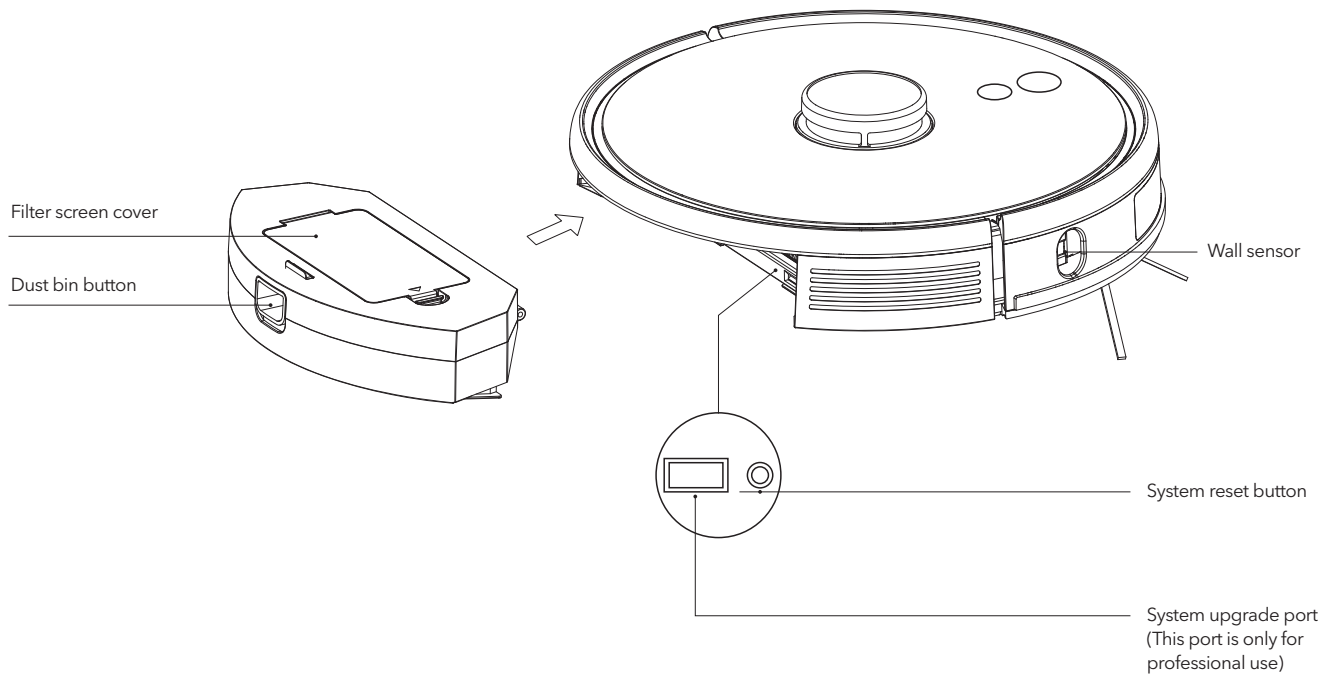


Cleaning brush x1 (optional)

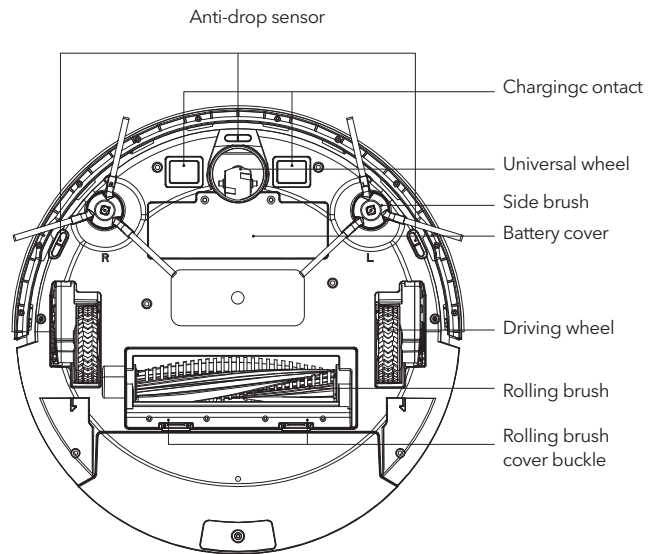
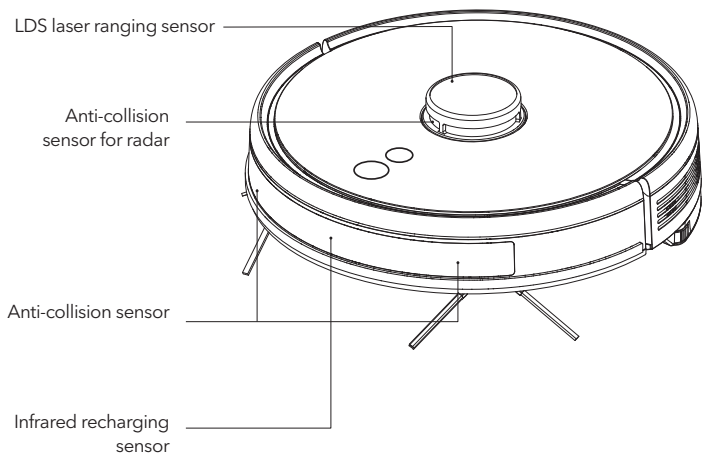


Remote control x1
(optional)

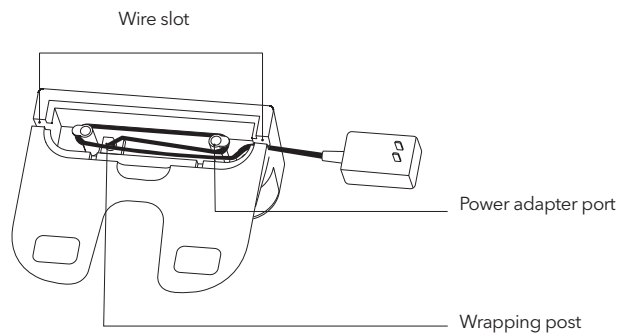
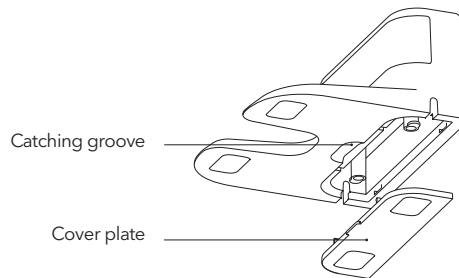
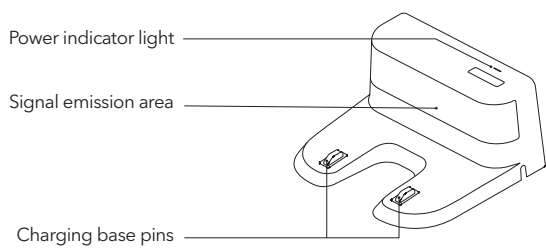
Robot



Sensor and Structure

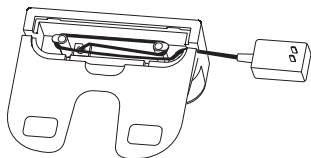


Charging Base

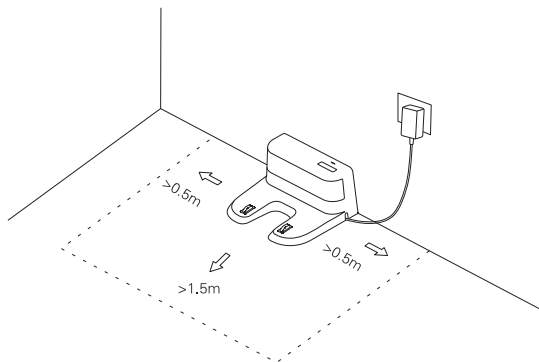


INSTALLATION

1. Connect power line and feed the excess wire into the slot



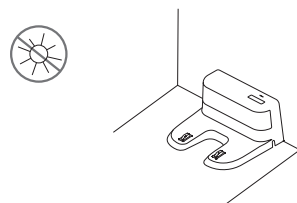
2. Place charging base against the wall and connect the power



NOTE

- Ensure a space of above 0.5m on both sides of the charging base and a space of above 1.5m in the front
- If the power line is vertical to the ground, it may be dragged by the host and consequently the charging base may be powered off
- The charging indicator is normally on when powered on and off when charged

3. Please do not move the charging base arbitrarily and keep it out of direct sunlight

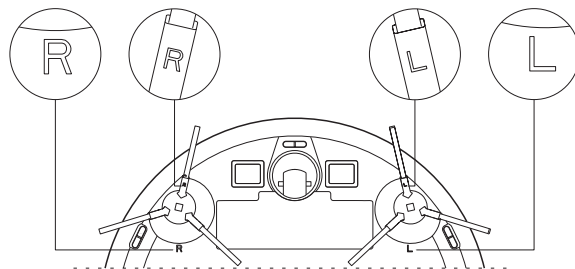


NOTE

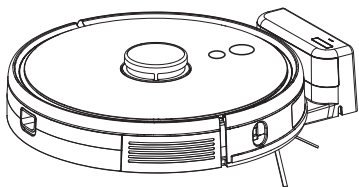
- If the charging base is relocated, the host may fail in positioning and lose the map. When restarted, the host will rebuild and memorize the map and the rebuilt map may lose cleaning information of forbidden areas and other areas
- Direct sunlight will interfere with recharging signal and consequently the host may be unable to return to the charging base

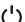
4. Installation of side brush

Make the left side brush (L) and the right side brush (R) correspond to L and R on the bottom casing, press L and R and the side brushes are installed till you hear a "cracking" sound



5. Starting up and charging



Long press  to switch on the robot. Charge the robot on charging base when the power indicator light is normally on.


NOTE

If the robot cannot be started due to low battery, please charge the robot on the charging base and the robot will be started automatically. The robot can work normally only when the battery level is $\geq 20\%$.

6. Connect mobile APP (this step can be skipped)

Please refer to WiFi connection guideline, then connect mobile APP

7. Start cleaning

After the robot is powered on, short press key  on the robot or use mobile APP to start cleaning.(press any button to pause during using)

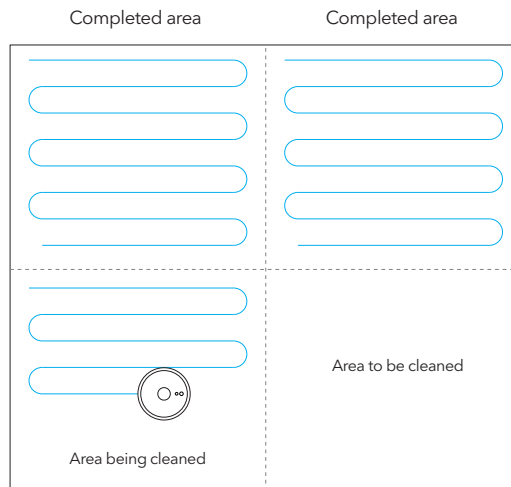
NOTE

- The sweeping robot cannot be used to remove liquids
- If the battery level is less than 20, the robot cannot work. Please charge it
- The robot will return to the charging base automatically if the battery level is less than 20% in use and will be powered off and start cleaning automatically after the battery level reaches 80%
- Please clear various wires (including power line of charging base) on the ground before use so as to avoid outage and damage of objects or wires when wires are dragged by the host.

INSTRUCTIONS

Cleaning mode

After the robot is powered on, it will scan and generate the map and divide it into areas intelligently. Then sweep the areas one by one along the wall orderly, efficiently and thoroughly and plan the cleaning route in a bow/S shape. The robot will return to the charging base automatically after cleaning.




NOTE

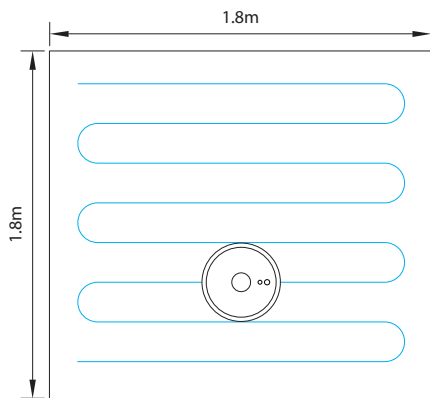
Do not move the robot casually and frequently when it is cleaning. After moving, please put the robot near the original position. When it starts again, it will try to reposition itself. After successful positioning, it would follow the planned path and continue to work. If the positioning fails, the robot will abort previous mission, make a map, and do the cleaning again. Even it may not find the charging base.

Spot cleaning

When a local area needs a deep sweep, the user specifies a point on the map on the APP, the robot will automatically drive to the vicinity of the point, take the point as the center, and clean within 1.5m x 1.5m

Partial cleaning

When the robot cannot be controlled by the mobile APP, please remove the robot to the place you want to clean. Long press the  button for 3 seconds, and the robot will clean twice within the scope of 1.8mx1.8m centering on itself



User-defined area cleaning

Use the mobile APP to set the size and location of the area you want to clean. You can set one or more areas. The robot would clean according to the areas you set.

Restricted area

Set one or more forbidden areas using mobile APP. The robot will not sweep forbidden areas but other areas.



NOTE

- The robot may intrude into the restricted area due to positioning errors, abnormal sensors and other reasons.
- The permanent closed zone may become invalid due to the big change of the position of the charging seat and furniture. Therefore, please try not to move or interfere with the robot during cleaning.
- The permanent restricted area would be lost when the map is rebuilt.

Schedule cleaning

Schedule cleaning can be set by mobile APP. The robot will start cleaning automatically at the appointed time and return to the charging base after cleaning.

WiFi reset

If the mobile phone cannot be connected to the robot due to modification of router configuration and password or for other reasons, please press  key and  key simultaneously for 3s till a voice prompt "WiFi has been reset" is given and the indicator light turns purple and flickers slowly.



DND mode (do not disturb)

The robot will neither sweep the floor nor issue a voice automatically under DND mode. The available time of DND mode can be startup or modified using mobile APP.

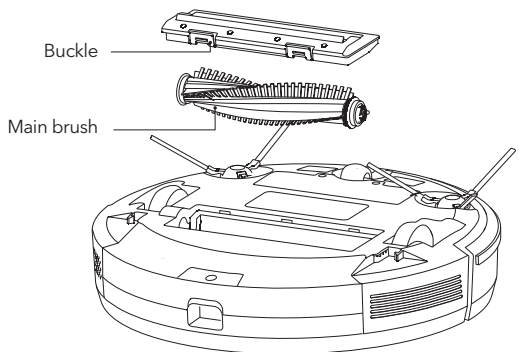
Adjustment of suction power

You can adjust the suction power to silent level, standard level and high level by mobile APP

DAILY MAINTENANCE

Rolling brush (clean it regularly)

1. Turn over the robot and press the buckle on the Rolling brush cover to take out the Rolling brush
2. Remove dust outside and inside the Rolling brush using tiny brush and clean the Rolling brush
3. Reassemble the Rolling brush and press the Rolling brush cover tightly to fix the buckle

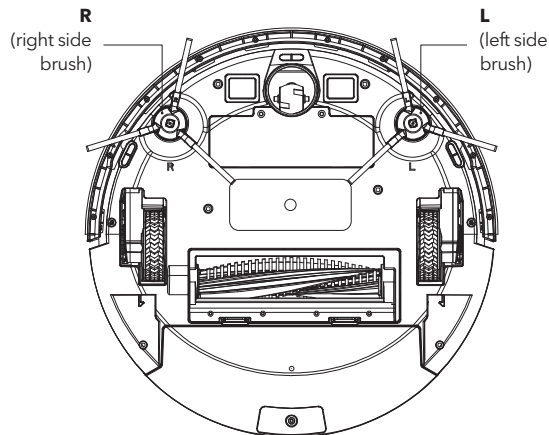


Side brush (clean it regularly)

1. Turn over the robot and pull out the side brush upwards
2. Remove hair and dirt and reassemble the side brush
3. Make the left side brush (L) and the right side brush (R) correspond to L and R on the bottom casing, press L and R to reinstall them

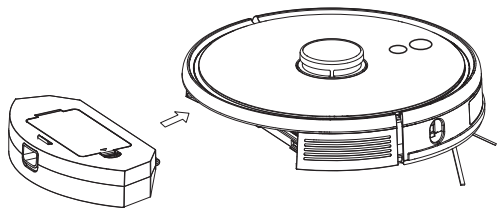
NOTE

Replace the side brush every 3-6 months so as to ensure the cleaning effect.

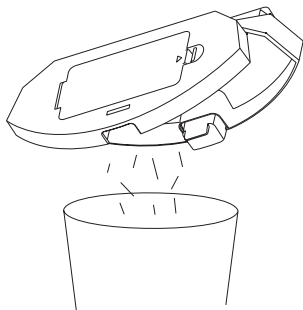


Dust box and filter screen (clean it regularly)

1. Press the button and pull out the dustbin backward

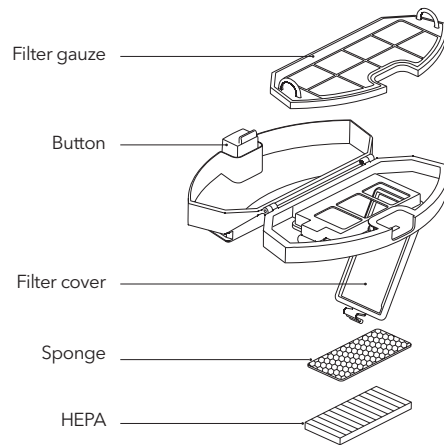


2. Open and clean dustbin



Filter screen cleaning (clean it regularly)

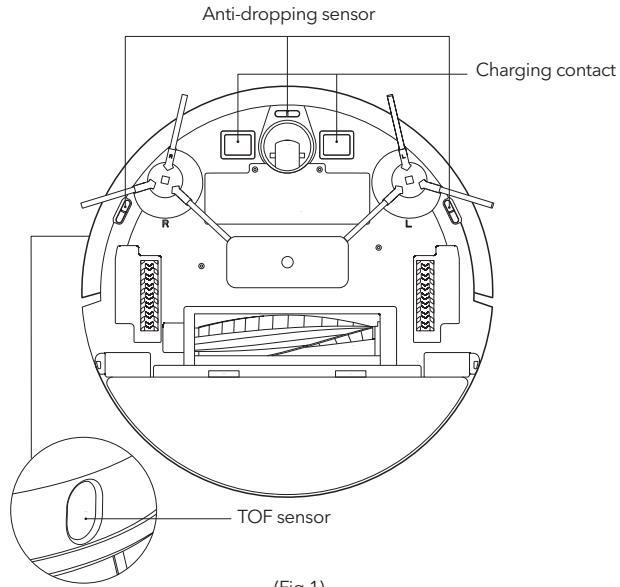
1. After a long time usage, remove the filter gauze, sponge and HEPA
2. Clean the removed filter gauze, sponge and HEPA under water
3. Shake off the water drops and dry it naturally, then use it after completely dried
4. After dry, instll it well in sequence, filter gauze - sponge - HEPA



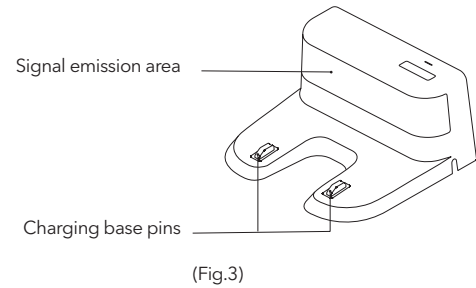
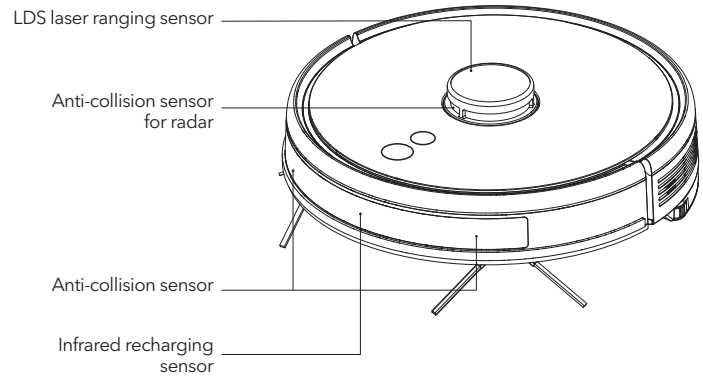
Sensor (clean it regularly)

Clean the sensors by soft mop, include:

1. Clean the sensors along the wall on the right
2. Three anti-dropping sensors at the bottom of the host
3. Infrared avoidance sensor in the front of the host
4. Radar avoidance sensor on the top of the host
5. Electric shock protector and charging base shrapnel at the bottom of the host
(please cut of the power during cleaning)
6. Signal transmission area of charging base



Sensor (cleaned monthly)



Battery

- The host is furnished with high-performance lithium-ion batteries. To maintain battery performance, please keep the host charged in daily use
- If the robot is left unused long, please shut down and keep it properly. Charge it at least every 3 months to avoid damaging batteries due to excessive discharge.

Firmware upgrade

Upgrade firmware using mobile APP. If new firmware is detected, upgrade it according to prompt. The battery level should be $\geq 50\%$ during firmware upgrade, so the robot should be placed on the charging base

System reset

Take down the dust box, open the rubber plug and press Reset key (refer to page 4). Current map will be lost and timing, WiFi and personalized settings will be reserved after reset

COMMON PROBLEMS

Problem	Solution
The robot cannot be started	<ul style="list-style-type: none"> • In case of a low battery level, please place the robot on the charging base and align it at the electrode plate, the robot will be started automatically (if the robot is completely powered off, it can be started automatically after charged for a while) • If the environment temperature is lower than 0°C or higher than 50°C, please use it at a temperature of 0-40°C
The robot cannot be charged	<ul style="list-style-type: none"> • Please move the robot away, check whether the indicator light of the charging base lights on and confirm both ends of the power adapter of the charging base are connected well • In case of poor contact, please clear the charging base shrapnel and the charging contact on the robot or push the side brush aside
The robot cannot be recharged	The robot is too far away from the charging base, please put the robot near the charging base and make another try
Abnormal behavior	Shut down and restart the robot
Abnormal noise in use	Main brush, side brush or wheel may be obtained by foreign matters, please shut down the robot, remove the main brush and remove the foreign matters
Cleaning ability declines or dust falls out	<ul style="list-style-type: none"> • The dust box is full, please clear it • The filter screen is blocked, please clear or replace it • The main brush is twined by foreign matters, please remove the main brush and remove the foreign matters
WiFi cannot be connected	<ul style="list-style-type: none"> • WiFi signal is bad, please ensure is covered by WiFi signal • WiFi is connected abnormally, please reset WiFi, download the latest APP and try to reconnect it • Password is inputted incorrectly • The router is available for 5G frequency band, the cleaning robot is available for 2.4G frequency band only
Fixed-time cleaning fails	In case of a low battery level, fixed-time cleaning can be started only when the battery level is no less than 30%
Whether the robot consumes power if it is always placed on the charging base	The robot consumes a little power if it is always placed on the charging base and it enables the best performance of battery
Whether the robot needs to be charged for 16h for the first three times	The lithium battery can be used immediately after being charged and has no memory effect

TROUBLESHOOTING

Prompt Tone	Solution
Error 1: I cannot find the dust collector	Cleaning is triggered when the dust box is take out
Error 2: Please check if the radar on top has been covered or blocked	The top radar is covered or placed in an open area (there is not obstacle within an area of 6×6m ²)
Error 3: Please place me in a new location and try again	Pick the robot up or move it to another location
Error 4: Please clean the cliff sensor, and restart me from a new location	The cliff sensor is covered or placed at height
Error 5: Please clean the front sensor, and restart me from a new location	The infrared avoidance sensor is dirty or covered
Error 6: Please clean the right-hand sensor, and restart me from a new location	The wall sensor is dirty or covered
Error 7: Please clean the radar housing on top, and restart me from a new location	The radar avoidance sensor is dirty or covered
Error 8: Please check if the bumper has been blocked in some way	The edge or collision sensor is stuck
Error 9: Please clean the dust container and filter	The dust box is full or the filter screen needs to be replaced
Error 10: Dust container has been removed, please clean the container and filter	After error 9 is issued, user takes out the duct chamber and error 10 is triggered
Error 11: I'm stuck	The robot is stuck
Error 12: Please place me correctly!	The robot is tilt
Error 13: Please check if my wheels have become blocked somewhere	The driving wheel is stuck or twined, please remove the foreign matters
Error 14: Please check if the main brush has become stuck	The main brush is twined or stuck, please remove it and remove the foreign matters
Error 15: Please check if the side brushes has become stuck	The side brush is twined or stuck, please remove it and remove the foreign matters
Error 16: Where is the docking station	The charging base cannot out found or is not plugged in
Error 17: Program error, please restart me	Abnormalities are caused by unknown breakdown, restart the robot
Error 18: Error encountered initiating shutdown	The robot reminds the user and shuts down automatically or is recharged
Error 19: Low battery, please recharge	When the battery level is to o low and the robot is not on the charging base, cleaning is triggered (the battery level is lower than 10%)
Error 20: Remove from charging station for power off	The robot shuts down when charged on the charging base

CONTENT AND NAME OF HAZARDOUS SUBSTANCES

Hazardous Substance	Part Name					
	Plastic casing	Circuit board	Power line	Battery	Metal part	Adapter
Lead (Pb)	○	×	×	×	○	×
Mercury (Hg)	○	○	○	○	○	○
Cadmium (Cd)	○	○	○	○	○	○
Chromium VI (Cr (VI))	○	○	○	○	○	○
Polybrominated biphenyls PBB	○	○	○	○	○	○
Polybrominated diphenyl ethers (PBDE)	○	○	○	○	○	○

○: means that the content of hazardous and noxious substances in the component is less than the limit stipulated by SJ/T11363-2006

×: means that the content of hazardous and noxious substances in at least the component exceeds the limit stipulated by SJ/T11363-2006



NOTE

The lead content of a few paste electronic components for special use (such as high voltage resistor, ceramic resistor and diode, etc.) in "X" in the table may be greater than 0.1%. Core of bolt and the lead content of high-performance alloy contained in USB cable also may be greater than 0.1%. Such components comply with exemption clauses of EU ROHS. For technologies and components which cannot be replaced due to restrictions of technological development level, the lead content of external contact elements complies with environmental protection requirements

SAFETY INFORMATION

Usage Limitations

- The product is used for floor cleaning in a home environment only and cannot be used for outdoor (such as open terrace), non-ground (such as sofa) and commercial or industrial environment
- Please do not use the product in midair areas (such as penthouse, open terrace and furniture top) without protective fence
- Please do not use the product at a temperature of above 40°C or below 0°C or when there are liquids and sticky substances on the ground
- Please hang cables on the ground before use so as to avoid being dragged by the host
- Please clear fragile objects and impurities (such as vase and plastic bag, etc.) on the ground so as to avoid damaging valuables when the host is stuck or impacted slightly
- People with physical, spiritual or perceptual disorder (including children) are not allowed to use or operate the product
- Children cannot use the product as a toy. Please keep children and pets away when the host is working
- Please keep main brush and other cleaning tools out of reach of children
- Please do not place objects (including children and pets) on a stationary or moving machine.
- Please keep hair, fingers and other parts of human body or pets away from the suction inlet when the robot is works
- Please do not use the product to sweep burning objects (such as burning cigarette end)
- Please do not use the product to clean long-haired carpet (some dark carpets may not be cleaned normally)
- Please prevent the host from suctioning hard or sharp objects (such as waste decorative materials, glass and iron nail, etc.)
- Please do not move the robot by holding the protective cover of laser distance sensor and collision bumper
- Please clean or maintain the host and the charging base under shutdown or power-off state
- Please do not wipe any part of the product using wet cloth or any liquid
- Please use the product according to User Manual. User should be responsible for any damages and injuries caused by improper use
- Please do not use mopping function for carpet and furniture top
- Please be sure to remove the water tank when the robot is being charged.

Battery and Charging

- Please do not use battery, charging base or charger provided by any third parties
- Please do not dismantle, report or refit battery or charging base arbitrarily
- Please keep the charging base away from heat source (such as heating plate)
- Please do not wipe or clean the charging base shrapnel using wet cloth or wet hand
- Please do not abandon used batteries arbitrarily. Used batteries should be disposed of by professional recycling agency
- If power line is damaged or broken, please disuse it immediately and replace it through official channels
- Please ensure the host shuts down during transportation and the product should be transported original packaging
- If the robot is left unused long, it should be fully charged and then placed in a cool and dry place. Charge the robot at least every 3 months so as to avoid damaging batteries due to excessive discharge

Laser Safety Information

- Laser distance sensor of the product complies with the standard for class 1 laser products of IEC60825 and does not produce dangerous laser radiation

Smart WiFi app user manual can be found at:
<https://tesla.info/wp-content/uploads/pdf/TeslaVCR600Wapp.pdf>





Comtrade Distribution d.o.o. Beograd
Address: Bulevar Zorana Džindića 125i
11000 Belgrade, Serbia
Phone: +381 11 201 55 55
E mail: distribution.rs@comtrade.com

www.comtradeistribution.com

EU DECLARATION OF CONFORMITY

We, Comtrade Distribution doo Beograd, Bulevar Zorana Džindića 125i, hereby declare that the following products listed below to which this declaration relates

Name of manufacturer

TESLA/Comtrade Distribution d.o.o. Beograd

Contact information of the manufacturer

Bulevar Zorana Džindića 125i
11000 Belgrade, Serbia

Description of the appliance

Tesla model	Laboratory	LVD Certificate No. LVD Test Report No.	EMC Certificate No. EMC Test Report No.	ERP test report no.
VCR600W	TUV SUD	6811020001903	6871020003203	6891020000

conform with the following standards:

Applicable Harmonized Standards	Title of the relevant legislative act(s)
EN 55014-1:2017	
EN 55014-2:2015	
EN IEC 61000-3-2:2019	Electromagnetic Compatibility (EMC)
EN 61000-3-3:2013/A1:2019	2014/30/EU
EN 60335-1:2012/A2:2019	
EN 60335-2-14:2006/A12:2016	
EN 62233:2008	Low Voltage Directive (LVD) 2014/35/EU

PIB: 100000104 Matični broj: 17172140 Šifra delatnosti: 2620
TEKUĆI RAČUNI: UniCredit Bank RSD 170-300346515-65; Vojvodanska banka a.d. Novi Sad RSD 325-9500600009876-07
OTP Banka Srbija a.d. Beograd RSD 275-0000220006014-70; Komercijalna banka RSD 205-147443-79



Comtrade Distribution d.o.o., Beograd

Address: Bulevar Zorana Dindića 125f

11000 Belgrade, Serbia

Phone: +381 11 201 55 55

E mail: distribution.rs@comtrade.com

www.comtradedistribution.com

(EC) 1275/2008: 2008-12-17 Amended by (EC) 278/2009:2009-04-06, (EC) 642/2009:2009-07-22, (EU) 617/2013:2013-06-26; (EU) 801/2013:2013-08-22 Test Method: EN 50564:2011, EN 50242:2016, EN 60350-1:2013+A11:2014, EN 60350-2:2013+A11:2014	<i>Eco-design of Energy-related Products (ERP) 2009/125/EC EU</i>
---	---

This declaration of conformity is issued under the sole responsibility of the manufacturer.

Date: 17.01.2022. Belgrade, Serbia



SIGNATURE & CHOP
NAME: Nebojša Uskoković
POSITION: General Manager

Samo za domaćinstvo.
Prije upotrebe pažljivo pročitajte uputstvo za upotrebu.

Hvala što ste odabrali naš Pametni Robot Usisivač!

To je vrhunski robot za inteligentno planiranje za čišćenje koji kombinuje radar visoke preciznosti i razne senzore koji mogu realizovati saradnju putem navigacionog algoritma, crtati mapu sobe u realnom vremenu i planirati rutu čišćenja, a sadrži automatsko čišćenje i automatsko punjenje bez ručne intervencije. Ima izuzetno jaku usisnu snagu, kutiju za prašinu velikog kapaciteta, HEPA filter koji se može prati i usvaja efikasan način čišćenja.

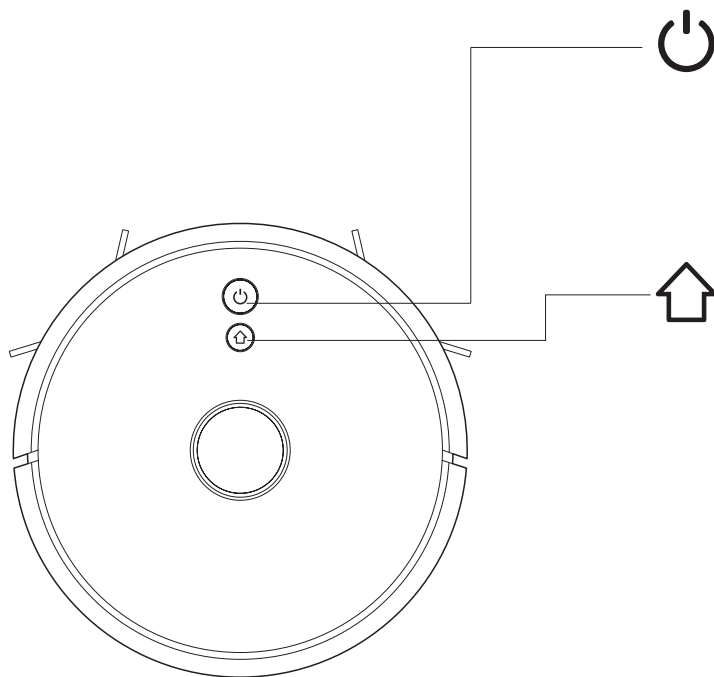
Možete da preuzmete mobilnu APP pomoću telefona da biste provjerili mapu čišćenja i radni status robota u aplikaciji u realnom vremenu, definisali područje čišćenja i raspored.

Možete robotom upravljati daljinski. Nauka i tehnologija čine život boljim.

Želimo vam ugodno korisničko iskustvo!

PREDSTAVLJANJE PROIZVODA

Ključne funkcije



Sweep/ON &OFF

- Kratak pritisak da započnete Čišćenje/Pauzu
- Dugačak pritisak 3s za UKLJUČENO/ISKLJUČENO
- Dugo pritisnite 15s za prinudno isključivanje pod nenormalnim okolnostima

Punjenje/ lokalno čišćenje

- Kratko pritisnite Punjenje / Pauziraj
- Dugo pritisnite da biste započeli lokalno čišćenje

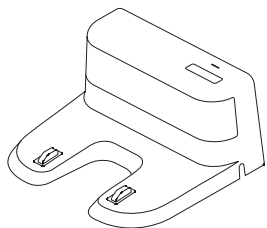
Signalna svjetla

- Plava: normalan rad ili punjenje
- Crvena: Nenormalno stanje ili prazna baterija
- Ljubičasta: Robot nije povezan na mrežu

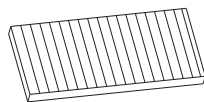
Reset WiFi-ja

- Pritisnite oba tastera istovremeno tokom 3s

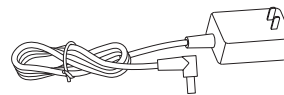
Lista Delova



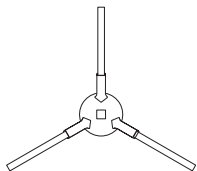
Baza za punjenje x1



HEPA filter+spužva filter x1



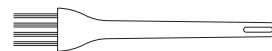
Adapter x1



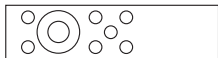
Lijeva bočna četka x2
Desna bočna četka x2



Četka za čišćenje sa nožem x1 (opcionalno))

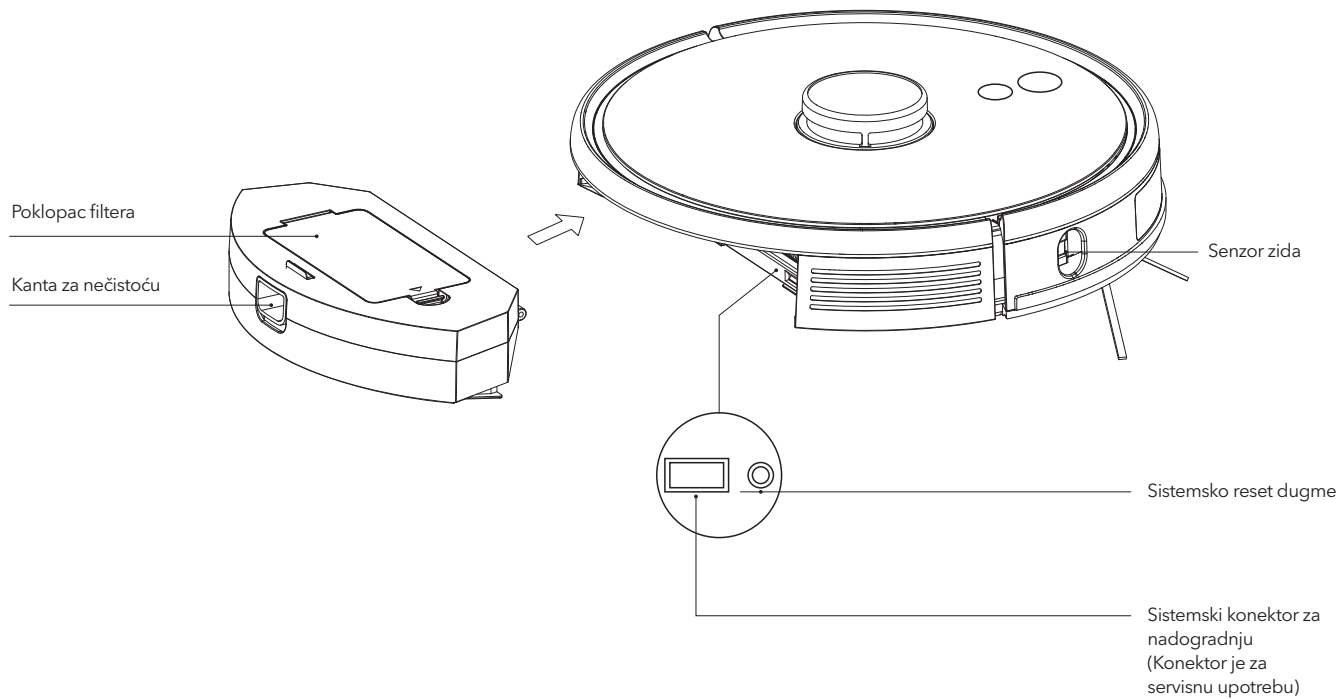


Četka za čišćenje x1 (opcionalno)

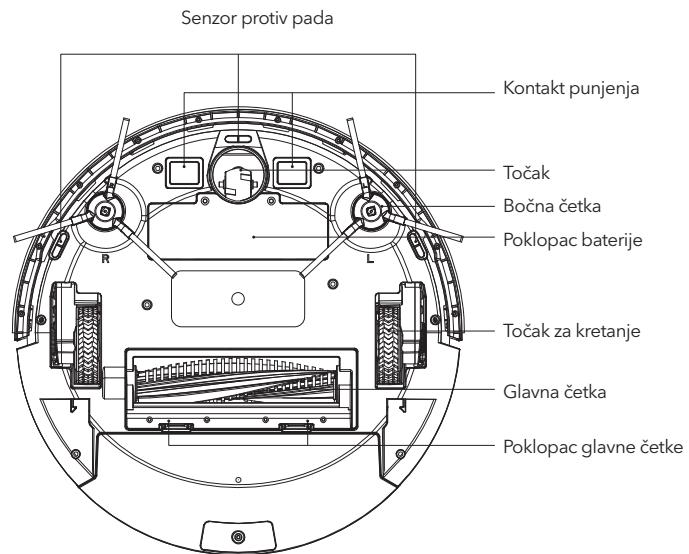
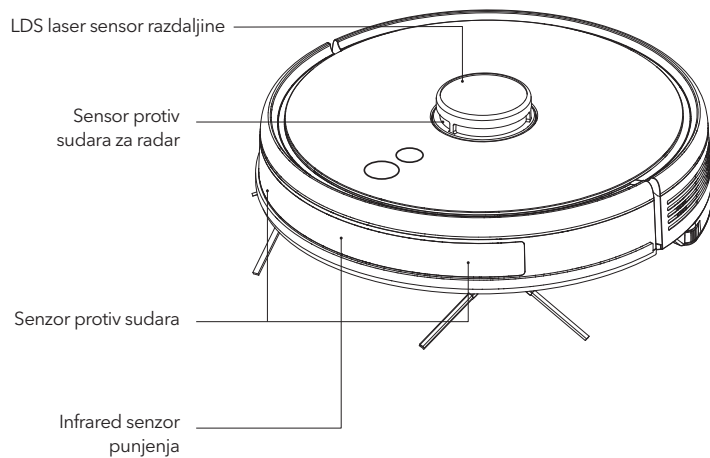


Daljinski upravljač x1
(opcionalno)

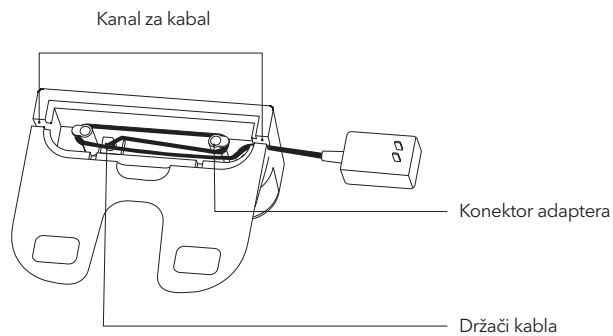
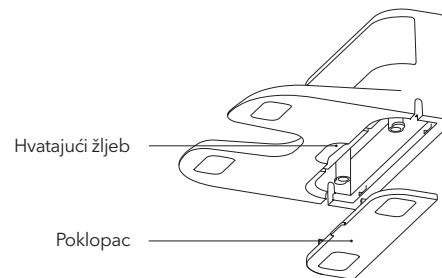
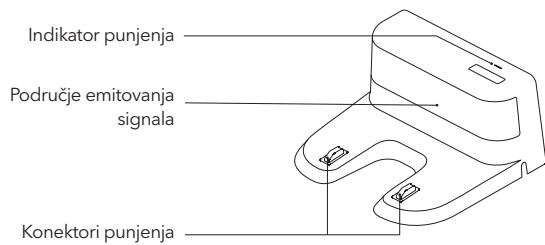
Robot



Senzori i kućište

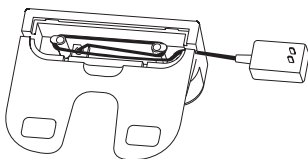


Charging Base

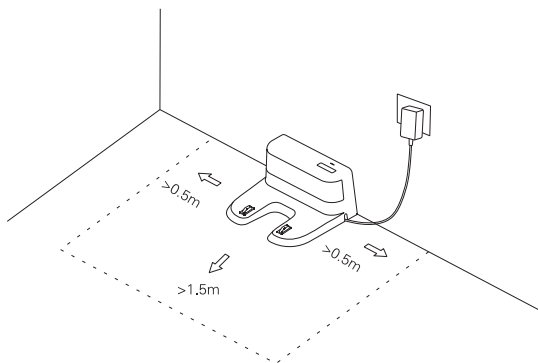


INSTALACIJA

1. Priključite adapter i uvucite višak kabla



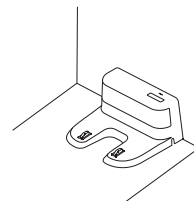
2. Postavite bazu za punjenje uz zid i priključite napajanje



NAPOMENA

- Osigurajte prostor veći od 0,5 m sa obje strane baze za punjenje i prostor od minimum 1,5m u prednjem dijelu
- Ako je kabal položen na zemlju, robot ga može povući i shodno tome baza za punjenje se može isključiti
- Indikator punjenja je aktiviran kada je uključen i isključuje kada se napuni

3. Molimo vas da ne pomjerate podnožje za punjenje proizvoljno i držite ga dalje od direktne sunčeve svjetlosti

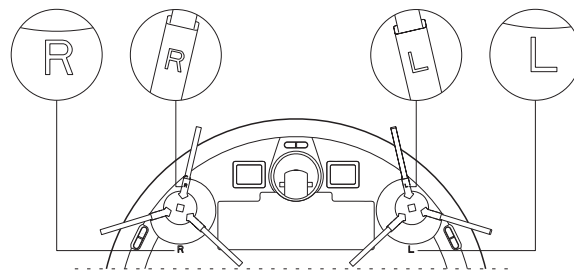


NAPOMENA

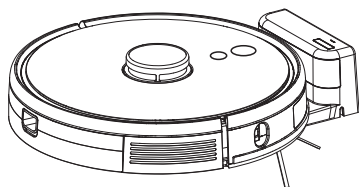
- Ako se baza za punjenje premjesti, robot može pogriješiti u pozicioniranju i izgubiti mapu. Kada se ponovo pokrene, robot će ponovo izgraditi i memorisati mapu, obnovljena mapa može izgubiti informacije o čišćenju zabranjenih područja i drugih područja
- Direktna sunčeva svjetlost ometaće signal za punjenje i posljedično robot možda neće moći da se vrati na bazu za punjenje

4. Montiranje bočnih četki

Neka lijeva bočna četka (L) i desna bočna četka (R) odgovaraju L i R na donjem kućištu, pritisnite L i R i bočne četke se postave dok ne čujete zvuk „klikljanja“



5. Paljenje i punjenje



Dugo pritisnite  da uključite robota. Punite robota na bazi za punjenje kada lampica indikatora napajanja normalno gori.

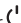
NAPOMENA

Ako se mašina ne može pokrenuti zbog prazne baterije, napunite robot na bazi za punjenje i robot će se automatski pokrenuti. Robot može normalno da radi samo kada je nivo baterije $\geq 20\%$.

6. Povežite mobilnu aplikaciju (ovaj korak se može preskočiti)

Pogledajte uputstva za WiFi vezu, a zatim povežite mobilnu aplikaciju

7. Počnite čišćenje

Nakon što se robot uključi, kratko pritisnite taster  na robotu ili koristite mobilnu aplikaciju da biste započeli čišćenje (pritisnite bilo koje dugme da biste napravili pauzu tokom upotrebe)

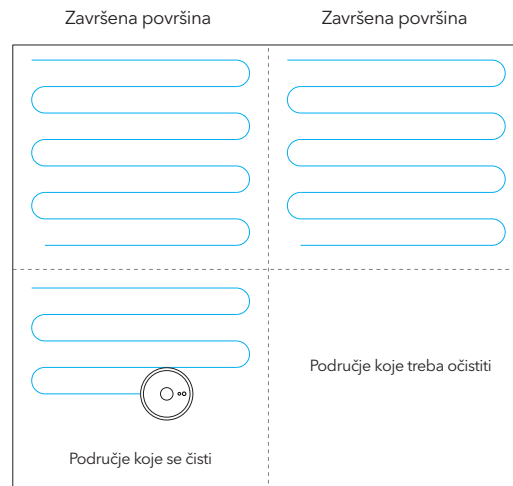
NAPOMENA

- Robot za čišćenje ne može se koristiti za uklanjanje tečnosti
- Ako je nivo napunjenosti baterije manji od 20%, robot ne može da radi. Molimo, napunite ga
- Robot će se automatski vratiti na bazu za punjenje ako je nivo baterije napunjenje manje od 20% u upotrebi i biće isključen i započeće čišćenje automatski nakon što nivo baterije dostigne 80%
- Molimo očistite razne kablove (uključujući i adapter od baze za punjenje) prije upotrebe, da bi se izbjegli prekidi i oštećenja predmeta ili kablova kada robot vuče kablove

UPUTSTVO

Režim čišćenja

Nakon što se robot uključi, skeniraće i generisati mapu i inteligentno je podijeliti na područja. Zatim će uredno, efikasno i temeljito preći područja po zidu i planirati put čišćenja u obliku luka / S. Robot će se automatski vratiti na bazu za punjenje nakon čišćenja.




NAPOMENA

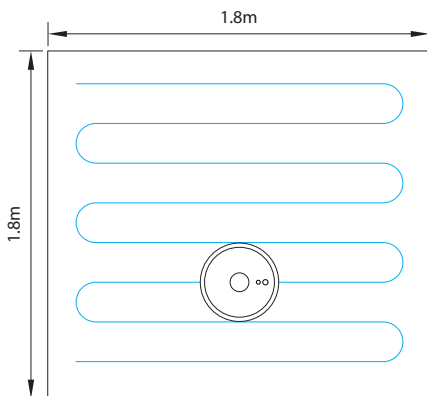
Ne pomjerajte robota nemarno i često dok čisti. Nakon premještanja, stavite robota blizu prvobitnog položaja. Kada se ponovo pokrene, pokušaća da se repositionira. Nakon uspješnog pozicioniranja, slijedio bi planirani put i nastavio da radi. Ako pozicioniranje ne uspije, robot će prekinuti prethodnu misiju, napraviti mapu i ponovo izvršiti čišćenje. Čak i možda neće pronaći bazu za punjenje.

Spot čišćenje

Kada lokalnom području treba dubinsko čišćenje, korisnik na APP-u odredi tačku na mapi, mašina će se automatski odvesti do blizine tačke, uzeti tačku kao centar i očistiti unutar 1,5 m k 1,5 m.

Parcijalno čišćenje

Kada robot ne može da kontroliše mobilna aplikacija, uklonite robota na mjesto koje želite da očistite. Dugo pritisnite dugme  3 sekunde i robot će očistiti dva puta u opsegu od 1,8m k 1,8m centrirajući se na sebe.



Korisničko definisano područje za čišćenje

Pomoću mobilne aplikacije postavite veličinu i lokaciju površine koju želite da očistite. Možete postaviti jedno ili više područja. Robot bi očistio prema oblastima koje ste postavili.

Zabranjena zona

Podesite jedno ili više zabranjenih područja pomoću mobilne aplikacije. Robot neće čistiti zabranjena područja već druga područja.



NAPOMENA

- Robot može upasti u zabranjeno područje zbog grešaka u pozicioniranju, abnormalnosti senzora i drugih razloga.
- Stalna zabranjena zona može postati nevaljana zbog velike promjene položaja baze za punjenje i namještaja. Stoga, molim vas pokušajte da se ne pomjera ili ometa robota tokom čišćenja.
- Stalno zabranjeno područje bi se izgubilo kada se mapa ponovo izgradi

Čišćenje po rasporedu

Čišćenje po rasporedu može da postavi mobilna aplikacija. Robot će automatski započeti čišćenje u zakazano vrijeme i vratiti se na bazu za punjenje nakon čišćenja.

WiFi reset

Ako mobilni telefon ne može da se poveže sa uređajem zbog promjene konfiguracije rutera i lozinke ili iz drugih razloga, pritisnite taster  i taster  istovremeno u trajanju od 3s dok se ne dobije glasovni upit „WiFi je resetovan“ i indikatorska lampica postane ljubičasta i polako treperi.



DND režim (ne uznemiravaj)

Robot neće ni čistiti pod ni automatski izdati glas u režimu DND. Dostupno vrijeme DND režima može se pokrenuti ili izmjeniti pomoću mobilne aplikacije.

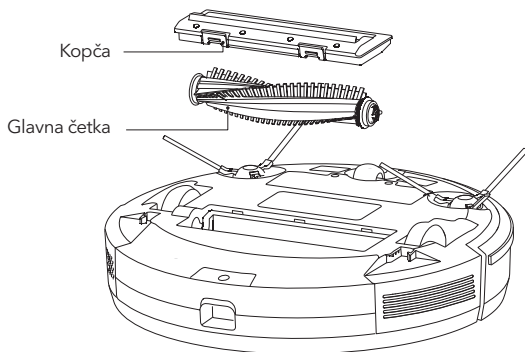
Podešavanje usisne snage

Usisnu snagu možete podesiti na tihi nivo, standardni nivo i visok nivo.

REDOVNO ODRŽAVANJE

Glavna četka (redovno je čistite)

1. Okrenite robota i pritisnite kopču na poklopcu četke za čišćenje da biste izvadili četku za čišćenje
2. Uklonite prašinu izvana i unutar četke za čišćenje pomoću male četke i očistite četku za čišćenje
3. Vratite četku za čišćenje i čvrsto pritisnite poklopac četke za čišćenje da biste fiksirali kopču

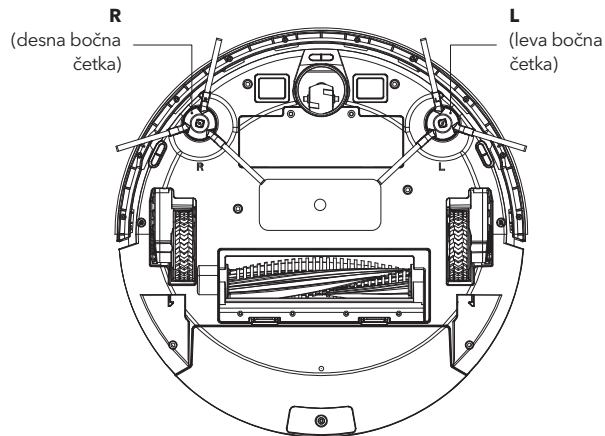


Bočna četka (redovno je čistite)

1. Preokrenite robota i izvucite bočnu četku prema gore
2. Uklonite kosu i prljavštinu i ponovo sastavite bočnu četku
3. Neka lijeva bočna četka (L) i desna bočna četka (R) odgovaraju L i R na donjem kućištu, pritisnite L i R da biste ih ponovo postavili

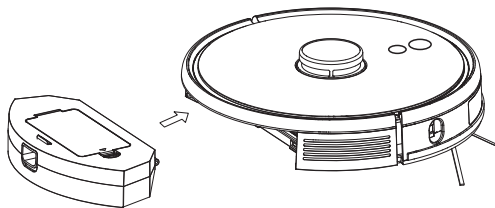
NAPOMENA

Zamjenite bočne četke svaka 3-6 mjeseci kako bi ste osigurali efekat čišćenja

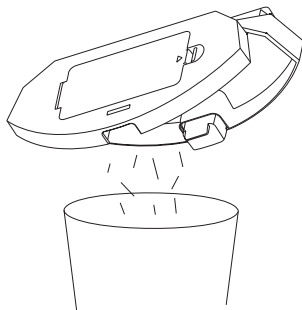


Kutija za prašinu (redovno ga čistite)

1. Pritisnite dugme i izvucite kantu za smeće unazad

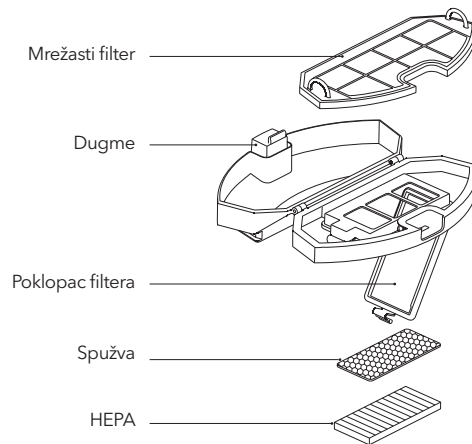


2. Otvorite i očistite kantu za smeće



Čišćenje filtera (redovno ga čistite)

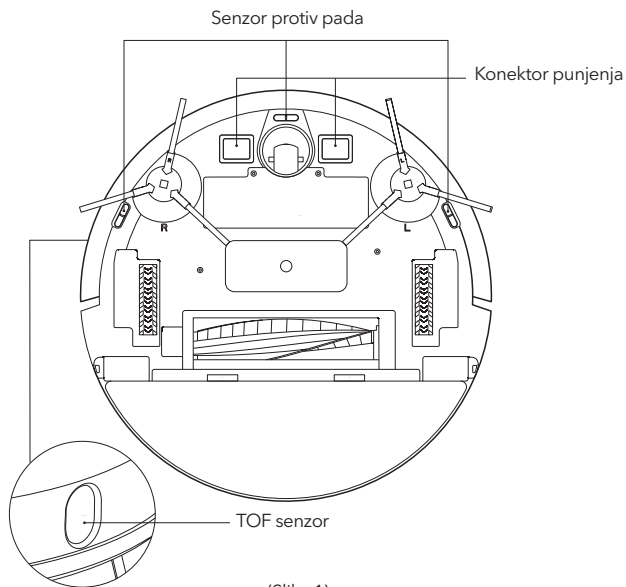
1. Nakon duže upotrebe, uklonite filtar, spužvu i HEPA
2. Očišćenu uklonjenu filtarsku gazu, sunder i HEPA pod vodom
3. Otrсите kapljice vode i osušite ih prirodno, a zatim upotrebite nakon potpunog sušenja
4. Nakon što se osuši, sklopite ga redom, mrežasti filter- spužva -HEPA



Senzor (redovno ga čistite)

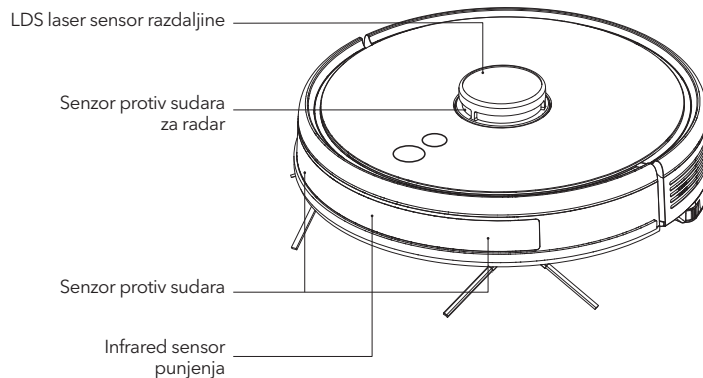
Očistite senzore mekom krpom, što uključuje:

1. Očistite senzore duž zida s desne strane
2. Tri senzora protiv pada na dnu domaćina
3. Infracrveni senzor za izbjegavanje na prednjoj strani domaćina
4. Senzor za izbjegavanje radara na vrhu hosta
5. Zaštita od električnog udara i osnovni kontakt za punjenje na dnu robota (isključite struju tokom čišćenja)
6. Područje prenosa signala baze za punjenje

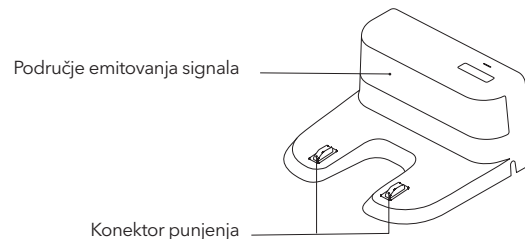


(Slika 1)

Senzor (mesečno čišćenje)



(Slika 2)



(Slika 3)

Baterija

- Robot je opremljen litijum-jonskim baterijama visokih performansi. Da biste održali performanse baterije, održavajte robota napunjenim u svakodnevnoj upotrebi
- Ako robot ostane dugo neiskorišten, isključite ga i pravilno držite. Puniti ga najmanje svaka 3 mjeseca kako biste izbjegli oštećivanje baterija zbog prekomjernog pražnjenja

Nadogradnja firmvera

Nadogradite firmver pomoću mobilne aplikacije. Ako se otkrije novi firmver, nadogradite ga prema uputstvu. Nivo napunjenosti baterije bi trebalo da bude $\geq 50\%$ tokom nadogradnje firmvera, tako da robot treba da se postavi na bazu za punjenje.

Reset sistema

Skinite kutiju za prašinu, otvorite gumeni čep i pritisnite reset taster (pogledajte stranicu 4). Trenutna mapa će se izgubiti i vrijeme, WiFi i personalizovana podešavanja će se pratiti nakon resetovanja.

UOBIČAJENI PROBLEMI

Problem	Rješenje
Robot se ne može pokrenuti	<ul style="list-style-type: none"> • U slučaju niskog nivoa baterije, postavite robota na bazu za punjenje i poravnajte ga na ploči elektrode, robot će se automatski pokrenuti (ako je robot potpuno isključen, može se automatski pokrenuti nakon naplaćeno neko vrijeme) • Ako je temperatura okoline niža od 0°C ili viša od 50°C, koristite je na temperaturi od 0-40°C
Robot se ne može puniti	<ul style="list-style-type: none"> • Odmaknite robota, provjerite da li svijetli indikatorsko svjetlo baze za punjenje i potvrdite oba kraja adaptera za napajanje baze za punjenje su dobro povezani • U slučaju lošeg kontakta, očistite šrapnel baze za punjenje i kontakt za punjenje na robotu ili gurnite bočnu četku na stranu
Robot se ne može napuniti	Robot je predaleko od baze za punjenje, stavite robota blizu baze za punjenje i pokušajte još jednom
Abnormalno ponašanje	Isključite i ponovo pokrenite robota
Nenormalna buka u upotrebi	Glavnu četku, bočnu četku ili kotač mogu dobiti strane tvari, molimo isključite robota, uklonite glavnu četku i uklonite strane tvari
Sposobnost čišćenja opada ili prašina ispada	<ul style="list-style-type: none"> • Kutija za prašinu je puna, očistite je • Filterski ekran je blokiran, očistite ga ili ga zamenite • Glavna četka je upletena stranim materijama, molimo uklonite glavnu četku i uklonite strane materije
WiFi se ne može povezati	<ul style="list-style-type: none"> • WiFi signal je loš, uvjerite se da je pokriven WiFi signalom • WiFi je povezan nenormalno, resetirajte WiFi, preuzmite najnoviju APP i pokušajte je ponovo povezati • Lozinka je pogrešno unesena • Ruter je dostupan za 5G frekvencijski opseg, robot za čišćenje je dostupan samo za 2.4G frekvencijski opseg
Čišćenje sa fiksnim vremenom nije uspelo	U slučaju niskog nivoa baterije, čišćenje na određeno vrijeme može se započeti samo kada nivo baterije nije manji od 30%
Da li robot troši energiju ako je uvijek postavljen na bazu za punjenje	Robot troši malo energije ako je uvijek postavljen na bazu za punjenje i omogućava najbolje performanse baterije
Da li robot treba da se puni 16h prva tri puta	Litijumska baterija se može koristiti odmah nakon punjenja i nema memorijski efekat

RJEŠAVANJE PROBLEMA

Zvučni signal	Rješenje
Greška 1: Ne mogu pronaći sakupljač prašine	Čišćenje se pokreće kada se kutija za prašinu izvadi
Greška 2: Provjerite je li radar na vrhu pokriven ili blokiran	Gornji radar je pokriven ili postavljen na otvorenom prostoru (nema prepreka unutar površine 6×6m ²)
Greška 3: smjestite me na novu lokaciju i pokušajte ponovo	Podignite robota ili ga premjestite na drugu lokaciju
Greška 4: Očistite senzor litice i ponovo me pokrenite s nove lokacije	Senzor litice je pokriven ili postavljen na visini
Greška 5: Očistite prednji senzor i ponovo me pokrenite s nove lokacije	Infracrveni senzor izbjegavanja je prljav ili prekriven
Greška 6: Očistite desni senzor i ponovo me pokrenite s nove lokacije	Zidni senzor je prljav ili prekriven
Greška 7: Očistite kućište radara na vrhu i ponovo me pokrenite s nove lokacije	Senzor za izbjegavanje radara je prljav ili prekriven
Greška 8: Molimo provjerite da li je branik na neki način blokiran	Senzor ivice ili sudara je zaglavljen
Greška 9: Očistite posudu za prašinu i filter	Kutija za prašinu je puna ili je potrebno zamijeniti filtersku mrežu
Greška 10: Spremnik za prašinu je uklonjen, očistite posudu i filter	Nakon što se izda greška 9, korisnik vadi kanalnu komoru i aktivira se greška 10
Greška 11: Zaglavio sam	Robot se zaglavio
Greška 12: Postavite me ispravno!	Robot je nagnut
Greška 13: Molimo provjerite jesu li mi kotači negdje blokirani	Pogonski točak je zaglavio ili upleten, uklonite strane delove
Greška 14: Molimo provjerite da li se glavna četka zaglavila	Glavna četka je upletena ili zaglavljena, uklonite je i uklonite strane materije
Greška 15: Provjerite jesu li bočne četke zaglavljene	Bočna četka je upletena ili zaglavljena, uklonite je i uklonite strane materije
Greška 16: Gdje je priključna stanica	Baza za punjenje nije pronađena ili nije priključena
Greška 17: Programska greška, ponovo me pokrenite	Abnormalnosti su uzrokovane nepoznatim kvarom, ponovo pokrenite robota
Greška 18: Došlo je do greške pri pokretanju isključivanja	Robot podsjeća korisnika i automatski se gasi ili se puni
Greška 19: prazna baterija, napunite	Kada je nivo baterije prenizak i robot nije na bazi za punjenje, pokreće se čišćenje (nivo baterije je niži od 10%)
Greška 20: Uklonite sa stanice za punjenje radi isključivanja	Robot se gasi kada se napuni na bazi za punjenje

SADRŽAJ I NAZIV OPASNIH SUPSTANCI

Opasne supstance	Naziv dijela					
	Plastično kućište	Štampana ploča	Naponska linija	Baterija	Metalni dijelovi	Adapter
Olovo (Pb)						
Živa (Hg)	○	○	○	○	○	○
Cadmium (Cd)	○	○	○	○	○	○
Hrom VI (Cr (VI))	○	○	○	○	○	○
Polibromovani bifenili (PBB)	○	○	○	○	○	○
Polibromovani difenil eteri (PBDE)	○	○	○	○	○	○

○ : znači da je sadržaj opasnih i štetnih materija u komponenti manji od ograničenja predviđenog SJ / T11363-2006

✘ : znači da sadržaj opasnih i štetnih supstanci u najmanje toj komponenti prelazi ograničenje predviđeno SJ / T11363-2006



NAPOMENA

Sadržaj olova u nekoliko ljepljivih elektronskih komponenata za posebnu upotrebu (kao što su visokonaponski otpornik, keramički otpornik i dioda, itd.) U tabeli „X“ može biti veći od 0,1%. Sadržaj olova u leguri visokih performansi sadržanoj u USB kابلu takođe može biti veći od 0,1%. Takve komponente su u skladu sa klauzulama o izuzeću EU ROHS. Za tehnologije i komponente koje se ne mogu zamjeniti zbog ograničenja nivoa tehnološkog razvoja, sadržaj olova u spoljnim kontaktnim elementima je u skladu sa zahtjevima zaštite životne sredine.

BEZBJEDNOSNE INFORMACIJE

Ograničenja u upotrebi

- Proizvod se koristi za čišćenje poda samo u kućnom okruženju i ne može se koristiti za spoljašnjost (poput otvorene terase), namještaja (poput sofe) i komercijalno ili industrijsko okruženje
- Molimo vas da proizvod ne koristite u sredinama bez zaštitne ograde (kao što su potkrovlje, otvorena terasa i nameštaj)
- Nemojte koristiti proizvod na temperaturi iznad 40°C ili ispod 0°C ili kada na zemlji ima tečnosti i ljepljivih materija
- Prikačite kablove o zemlju prije upotrebe kako biste izbjegli da ih robot vuče
- Očistite krhke predmete i nečistoće (poput vaze, plastične kese itd.) na zemlji kako biste izbjegli oštećivanje dragocjenosti kada je robot zaglavljen.
- Ljudima sa fizičkim, duhovnim ili perceptivnim poremećajima (uključujući djecu) nije dozvoljeno da koriste robota ili da njime upravljaju
- Djeca ne mogu da koriste proizvod kao igračku. Molimo vas da djecu i kućne ljubimce držite dalje kada robot radi
- Držite glavnu četku i druge alate za čišćenje van domašaja djece
- Ne stavljajte predmete (uključujući djecu i kućne ljubimce) na robota u stanju mirovanja ili kretanja
- Držite kosu, prste i druge dijelove ljudskog tijela ili kućnih ljubimaca dalje od usisnog otvora dok robot radi
- Nemojte koristiti proizvod za čišćenje zapaljenih predmeta (kao što je zapaljeni kraj cigarete)
- Nemojte koristiti robota za čišćenje dugodlakog tepiha (neki tamni tepisi možda se neće normalno čistiti)
- Spriječite robota da usisava tvrde ili oštre predmete (kao što su otpadni ukrasni materijali, staklo i gvozdene ekser itd.)
- Molimo vas da ne pomjerate robota držeći zaštitni poklopac laserskog senzora daljine i odbojnika
- Očistite ili održavajte robota i bazu za punjenje u stanju isključenja
- Nemojte brisati bilo koji dio proizvoda vlažnom krpom ili bilo kojom tečnošću
- Molimo koristite proizvod prema uputstvu za upotrebu. Korisnik treba biti odgovoran za bilo kakvu štetu i povrede nastale nepravilnom upotrebom

Baterija i punjenje

- Molimo vas da ne koristite bateriju, bazu za punjenje ili punjač treće strane
- Nemojte samovoljno demontirati, praviti ili popravljati bateriju ili bazu za punjenje
- Držite podnožje za punjenje dalje od izvora toplote (kao što je grijna ploča)
- Nemojte brisati ili čistiti kontakte baze za punjenje mokrom krpom ili mokrom rukom
- Molimo vas da ne ostavljate bateriju proizvoljno. Iskorištene baterije treba zbrinuti u profesionalnoj agenciji za reciklažu
- Ako je električni vod oštećen ili slomljen, odmah ga isključite i zamijenite u servisu
- Uvjerite se da se robot isključuje tokom transporta, proizvod treba da se transportuje u originalnoj ambalaži
- Ako robot ostane dugo nekorišten, treba ga potpuno napuniti i staviti na hladno i suho mesto. Punitite robota najmanje svaka 3 mjeseca kako biste izbjegli oštećenje baterija uslijed prekomjernog pražnjenja

Informacije o laserskoj bezbjednosti

- Laserski senzor rastojanja proizvoda u skladu je sa standardom za laserske proizvode klase 1 IEC60825 i ne proizvodi opasno lasersko zračenje

Korisničko uputstvo za korištenje Smart Wifi aplikacije možete pronaći na:
<https://tesla.info/wp-content/uploads/pdf/TeslaVCR600Wapp.pdf>



Само за употреба в бита.

Прочетете внимателно това ръководство за употреба преди да използвате уреда.

Благодарим ви, че избрахте умния робот-прахосмукачка!

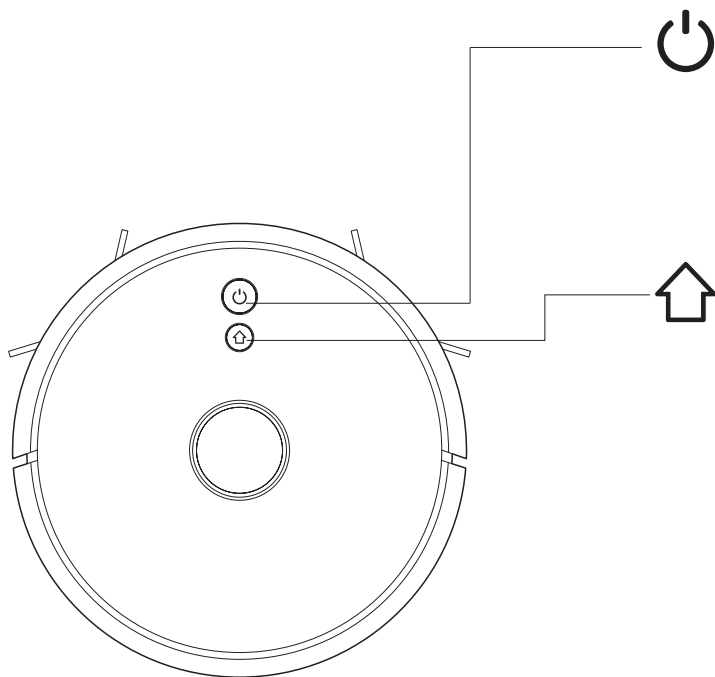
Това е интелигентен робот за почистване от висок клас, който комбинира радар с висока точност и различни сензори, които могат да реализират сътрудничество чрез алгоритъм за навигация, да очертаят карта на стаята в реално време и да планират маршрута на почистване и има функциите автоматично почистване и автоматично зареждане без ръчна намеса. Той има изключително голяма мощност на засмукване, контейнер за прах с голям капацитет, миещ се HEPA филтър и модул за почистване с разделен тип и ефективен режим на сухо и мокро почистване.

Можете да изтеглите мобилното приложение за смарт телефон, за да проверите картата за почистване и състоянието на работа на робота в приложението в реално време, да определите зоната и графика на почистване. Можете да управлявате робота дистанционно. Науката и технологията правят живота по-добър.

Желаем Ви приятно изживяване при използване!

ВЪВЕДЕНИЕ В ПРОДУКТА

Основни функции



Метене/включване и изключване

- Кратко натискане за стартиране на метене/пауза
- Продължително натискане за 3 секунди за включване/изключване
- Продължително натискане за 15 секунди за принудително изключване при извънредни обстоятелства

Презареждане/локално почистване

- Кратко натискане Презареждане/Пауза
- Продължително натискане, за да започнете локално почистване

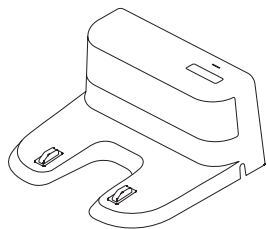
Светлинен индикатор

- Син: Нормална работа или зареждане
- Червен: Ненормално състояние или изтощена батерия
- Лилав: Оборудването не е свързано към мрежата

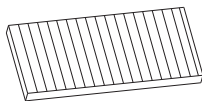
Нулиране на Wi-Fi

- Натиснете двата бутона едновременно за 3 секунди

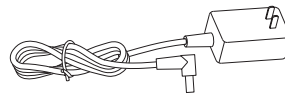
Списък с части



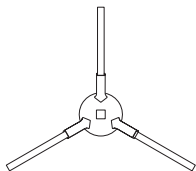
База на зарядното устройство x1



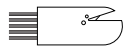
HEPA филтър + гъбен филтър x1



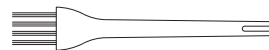
Адаптер x1



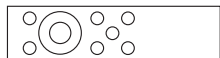
Натиснете два бутона
едновременно за 3 секунди



Почистваща четка с нож x1 (опционално)

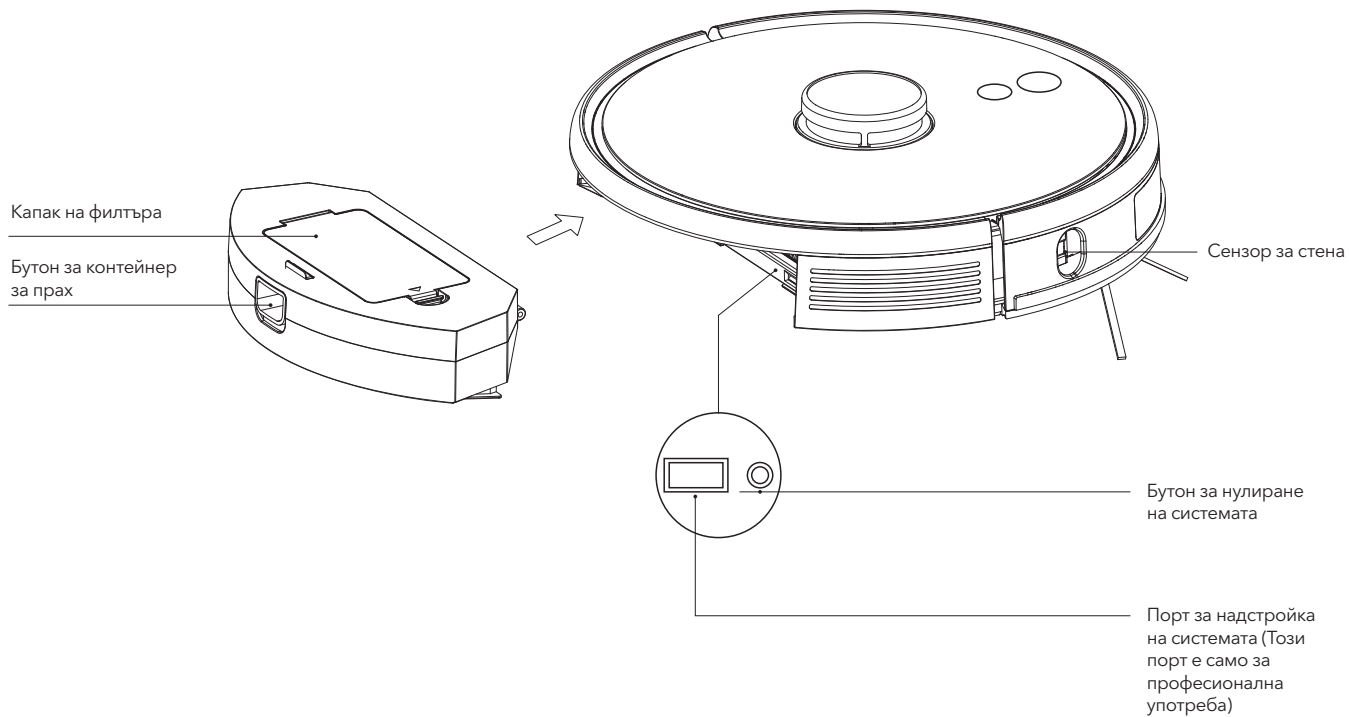


Четка за почистване x1
(опционално)

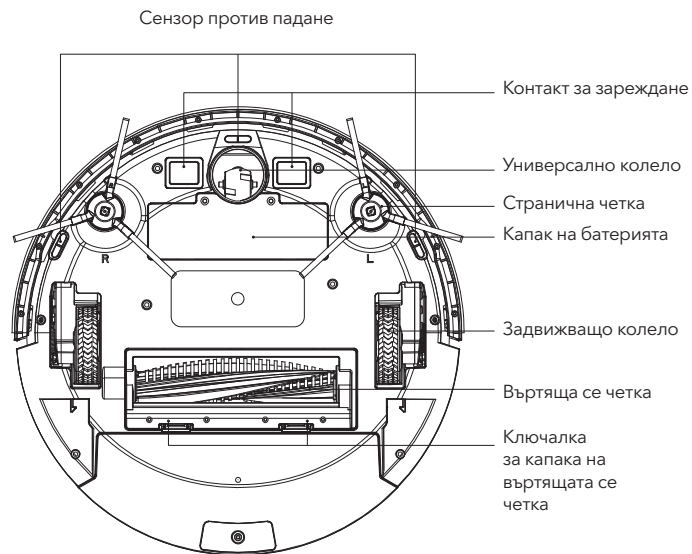
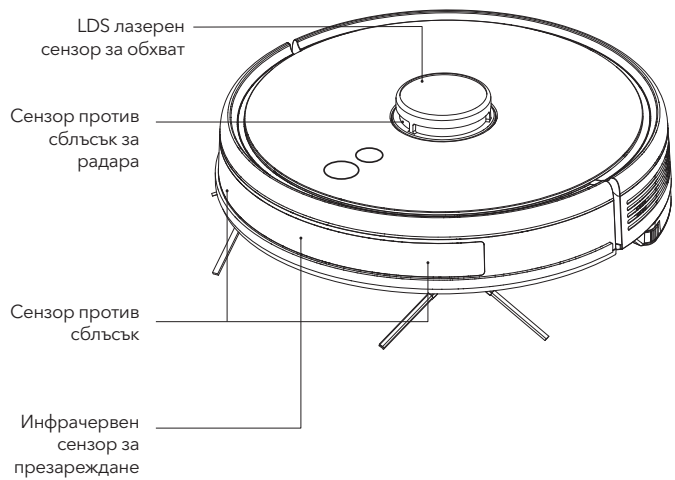


Дистанционно
управление (опционално)

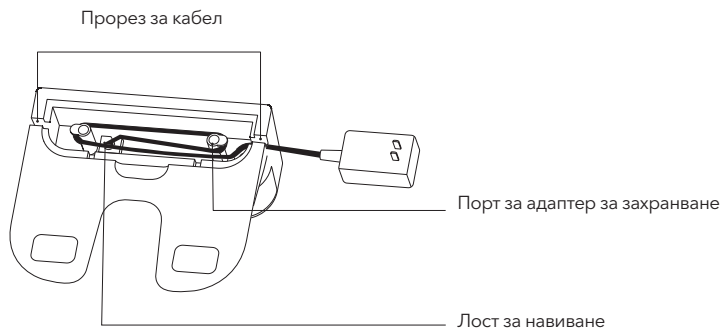
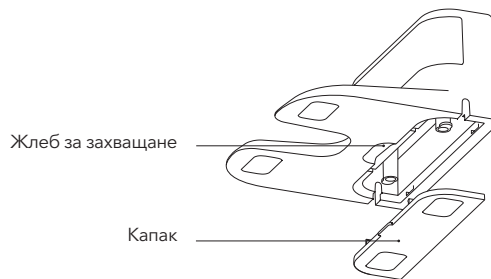
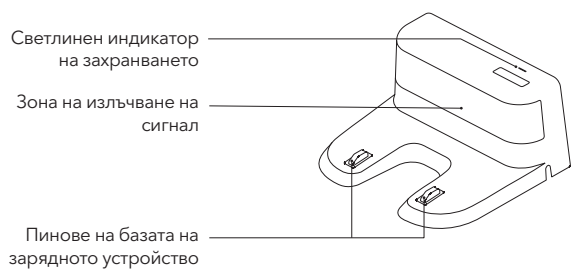
Робот



Сензор и конструкция

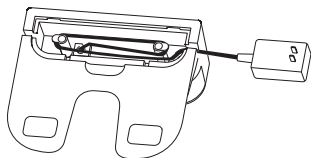


База на зарядното устройство

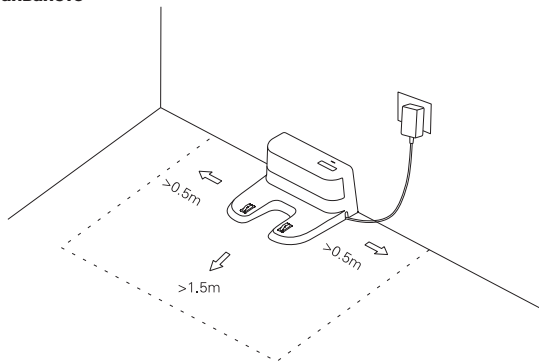


МОНТАЖ

- 1. Свържете захранващия кабел и въведете излишната дължина в прореза за кабели**



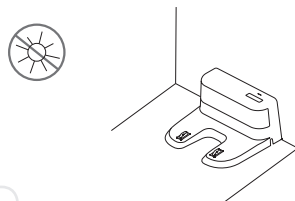
- 2. Поставете базата на зарядното устройство срещу стената и свържете захранването**



ЗАБЕЛЕЖКА

- Осигурете пространство повече 0,5 m от двете страни на зарядното устройство и пространство повече от 1,5 m отпред
- Ако кабелът е положен на земята, роботът може да го издърпа и базата за зареждане може да се изключи съответно
- Индикаторът за зареждане обикновено е включен при включването и се изключва, когато е зареден

- 3. Моля, не премествайте произволно базата на зарядното устройство и я пазете от пряка слънчева светлина**

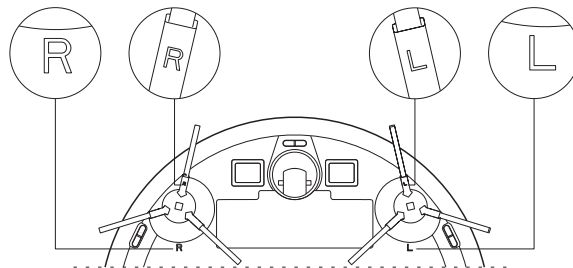


ЗАБЕЛЕЖКА

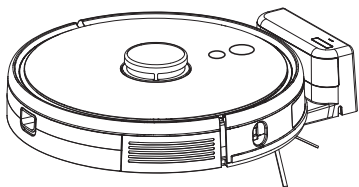
- Ако базата на зарядното устройство бъде преместена, роботът може да не успее да се позиционира и да загуби картата.
- При рестартиране хостът ще възстанови и запомни картата, а възстановената карта може да загуби информацията за почистване на забранени зони и други области
- Директната слънчева светлина ще попречи на сигнала за презареждане и следователно е възможно роботът да не може да се върне към зарядната база


4. Монтаж на странична четка

Поставете лявата странична четка (L) и дясната странична четка (R) така, че да съвпадат с L и R на долния корпус, натиснете двете страничните четки са монтирани, докато не чуете "щракащ" звук.



5. Стартиране и зареждане



Натиснете продължително бутона  за да включите робота. Заредете робота в основата за зареждане, когато индикаторът за зареждане свети нормално.


ЗАБЕЛЕЖКА

Ако роботът не може да бъде стартиран поради изтощена батерия, моля, заредете робота в базата за зареждане и роботът ще се стартира автоматично. Роботът може да работи нормално само когато нивото на батерията е $\geq 20\%$.

6. Свържете мобилното приложение (тази стъпка може да бъде пропусната)

Вижте инструкциите за WiFi свързване, след което свържете мобилното приложение

7. Започнете почистването

След като роботът се включи, натиснете за кратко  бутона на робота или използвайте мобилното приложение, за да започнете почистването (натиснете произволен бутон, за да направите пауза по време на употреба)

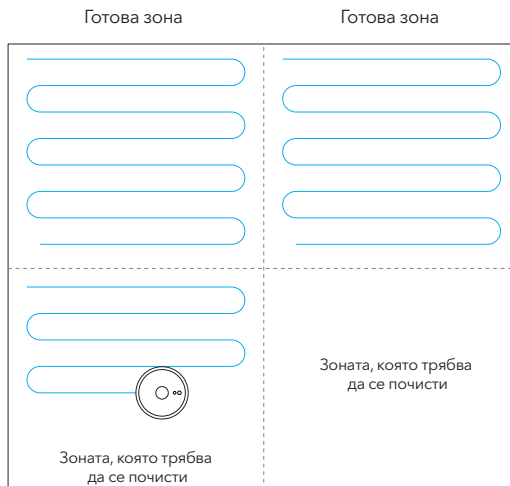
ЗАБЕЛЕЖКА

- Почиващият робот не може да се използва за отстраняване на течности
- Ако нивото на зареждане на батерията е по-малко от 20%, роботът не може да работи. Моля, заредете го
- Роботът автоматично ще се върне към зарядната база, ако нивото на батерията е по-ниско от 20% при използване и ще се изключи, а почистването ще започне автоматично, след като нивото на батерията достигне 80%
- Преди употреба, почистете различните кабели (включително адаптера от зарядното устройство), за да избегнете отпадане на захранване и повреда на предмети или кабели, когато роботът минава върху тях.

ИНСТРУКЦИИ

Режим на почистване

След като роботът бъде включен, той ще сканира и генерира карта и интелигентно ще я раздели на области. След това той ще почисти внимателно, ефикасно и старателно участъците покрай стената и ще планира маршрута под формата на дъгообразна/S-образна пътека на почистване. Роботът автоматично ще се върне към зарядната база след почистването.




ЗАБЕЛЕЖКА

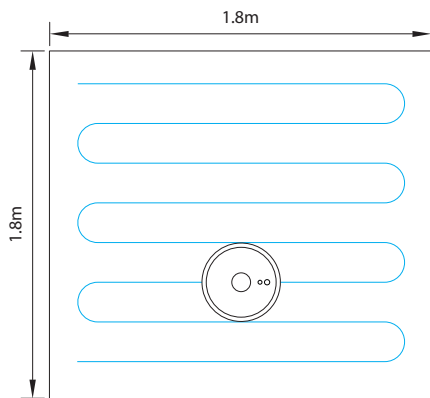
Не движете робота небрежно и често по време на почистване. След преместване поставете робота близо до първоначалното му положение. Когато се рестартира, той ще се опита да се позиционира отново. След успешното позициониране той ще следва планирания път и ще продължи да работи. Ако позиционирането е неуспешно, роботът ще прекъсне предишната мисия, ще създаде карта и ще извърши почистването отново. Възможно е дори да не успее да не намери базата за зареждане.

Точково почистване

Когато локална област се нуждае от задълбочено почистване, потребителят определя точка на картата в приложението, роботът автоматично ще се придвижи в близост до точката, ще приеме точката като център и ще почисти в рамките на 1,5 m x 1,5 m

Частично почистване

Когато роботът не може да бъде управляван от мобилното приложение, преместете робота до мястото, което искате да почистите. Натиснете продължително бутона  за 3 секунди и роботът ще почисти два пъти в обхвата от 1,8 m x 1,8 m, като за център ще приеме първоначалната позиция.



Забранена зона

Задайте една или повече забранени зони с помощта на мобилно приложение. Роботът няма да почиства зоните с ограничен достъп, а другите зони.

Забранена зона

Задайте една или повече забранени зони с помощта на мобилно приложение. Роботът няма да почиства зоните с ограничен достъп, а другите зони.



ЗАБЕЛЕЖКА

- Роботът може да влезе в забранената зона поради грешки в позиционирането, неизправност на сензора и други причини.
- Постоянната забранена зона може да стане невалидна поради значителна промяна в позицията на зарядната основа и мебелите. Затова се опитайте да не се движите или да пречите на робота по време на почистването.
- Постоянно забранената зона ще бъде загубена, ако картата бъде възстановена.

Почистване по график

Почистването по график може да бъде зададено чрез мобилно приложение. Роботът автоматично ще започне почистване в определеното време и след почистване ще се върне в зарядната база.

Нулиране на WiFi

Ако мобилният телефон не може да се свърже с робота поради промяна на конфигурацията на рутера и паролата или по други причини, натиснете едновременно бутоните  и  за 3 секунди, докато не се чуе гласовото съобщение „WiFi has been reset“ (WiFi се нулира) и индикаторът светне лилаво и примигва бавно.



Режим DND (не безпокой)

В режим DND роботът автоматично нито ще почиства пода, нито ще издава гласови съобщения. Времето в режим DND може да бъде стартирано или променено с помощта на мобилното приложение.

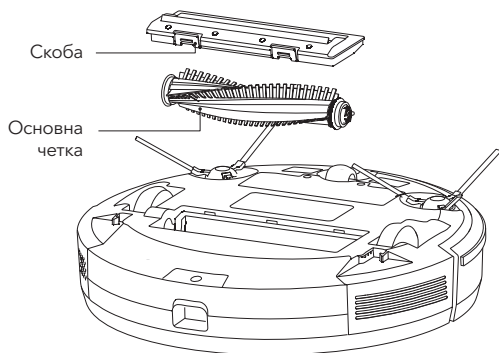
Регулиране на мощността на засмукване

Можете да регулирате мощността на засмукване на безшумно ниво, стандартно ниво и високо ниво чрез мобилно приложение.

ЕЖЕДНЕВНА ПОДДРЪЖКА

Въртяща се четка (почиствайте я редовно)

1. Обърнете робота и натиснете скобата на капака на въртящата се четка, за да извадите въртящата се четка
2. Отстранете праха отвън и отвътре от въртящата се четка с малка четка и почистете въртящата се четка
3. Сглобете отново въртящата се четка и натиснете плътно капака на въртящата се четка, за да фиксирате скобата

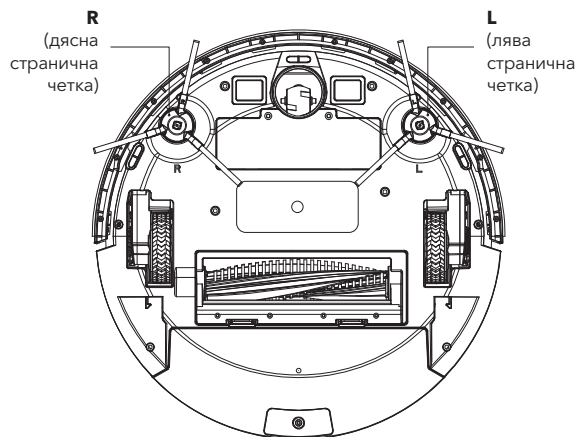


Странична четка (почиствайте я редовно)

1. Обърнете робота и издърпайте страничната четка нагоре
2. Отстранете космите и замърсяванията и сглобете отново страничната четка
3. Поставете лявата странична четка (L) и дясната странична четка (R) така, че да съвпадат с L и R на долния корпус, натиснете двете страничните четки, за да ги монтирате отново

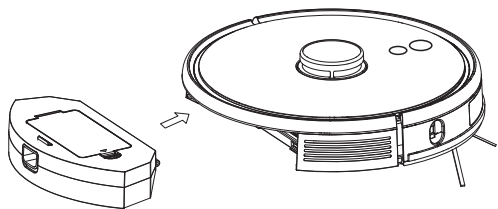
ЗАБЕЛЕЖКА:

Сменяйте страничната четка на всеки 3-6 месеца, за да гарантирате почистващия ефект.

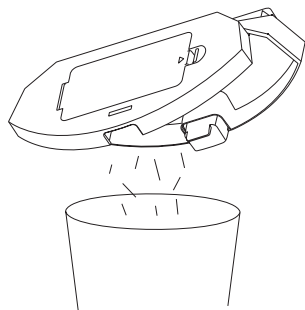


Контейнер за прах и филтър (почиствайте ги редовно)

1. Натиснете бутона и издърпайте контейнера за филтъра

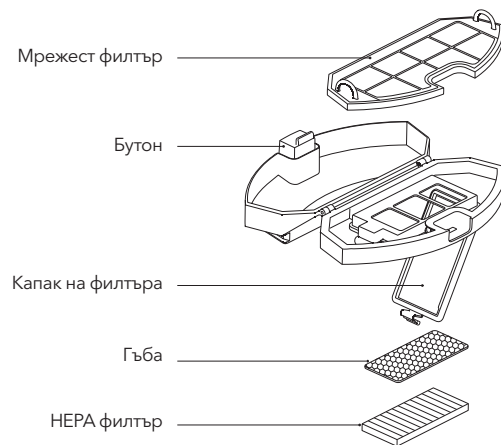


2. Отворете и почистете контейнера за боклук



Почистване на филтъра (почиствайте го редовно)

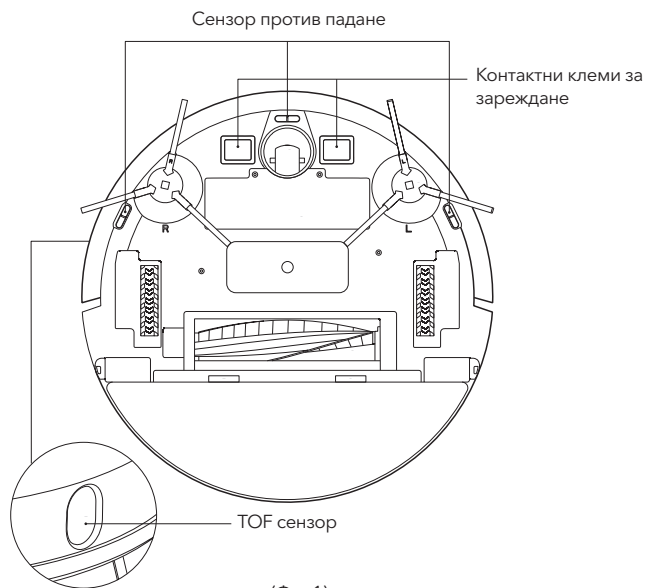
1. След продължителна употреба отстранете мрежестия филтър, гъбата и НЕРА филтъра
2. Почистете отстранените мрежестия филтър, гъба и НЕРА филтър под течаща вода
3. Отърсете водните капки и ги подсушете по естествен начин, след което ги използвайте само когато са изсъхнали напълно
4. След като изсъхне, инсталирайте го последователно, мрежестия филтър, гъбата и НЕРА филтъра



Сензор (почиствайте го редовно)

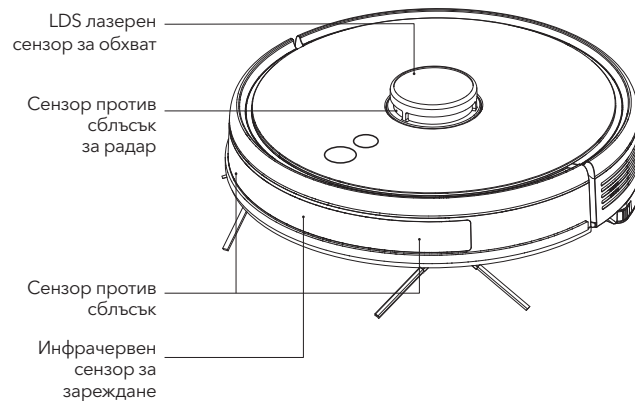
Почистете сензорите с мека кърпа, включително:

1. Почистете сензорите по дясната страна
2. Три сензора против падане в долната част на робота
3. Инфрочервен сензор за избягване на сблъсък в предната част на робота
4. Инфрочервен сензор за избягване на радара в горната част на робота
5. Предпазител за токов удар и основен контакт за зареждане в долната част на робота (изключвайте захранването по време на почистване)
6. Зоната за предаване на сигнала на базата за зареждане

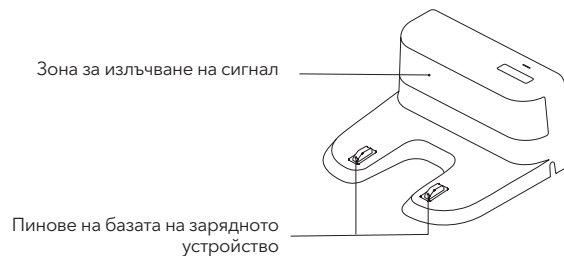


(Фиг.1)

Сензор (почиствайте го ежемесечно)



(Фиг.2)



(Фиг.3)

Батерия

- Роботът е оборудван с високоефективни литиево-йонни батерии. За да поддържате работата на батерията, поддържайте робота зареден при ежедневна употреба
- Ако роботът не се използва дълго време го изключете и го съхранявайте правилно. Зареждайте го поне веднъж на всеки 3 месеца, за да избегнете повреда на батериите поради прекомерно разреждане.

Надграждане на фърмуера

Надстройте фърмуера с помощта на мобилно приложение. Ако бъде открит нов фърмуер, надстройте го съгласно инструкциите. Нивото на батерията трябва да бъде $\geq 50\%$ по време на надстройката на фърмуера, така че роботът трябва да бъде поставен върху основата за зареждане.

Нулиране на системата

Извадете контейнера за прах, отворете гумената тапа и натиснете клавиша за нулиране (вижте страница 4). Текущата карта ще бъде загубена, но времето, WiFi и персонализираните настройки ще бъдат запазени след нулирането.

ЧЕСТО СРЕЩАНИ

Проблем	Решение
Роботът не може да бъде стартиран	<ul style="list-style-type: none"> В случай на ниско ниво на батерията, моля, поставете робота върху базата за зареждане и го подравнете по електродната плоча, роботът ще бъде стартиран автоматично (ако роботът е напълно изключен, може да се стартира автоматично след таксува за известно време) Ако температурата на околната среда е по-ниска от 0°C или по-висока от 50°C, моля, използвайте я при температура от 0-40°C
Роботът не може да бъде зареден	<ul style="list-style-type: none"> Моля, отдалечете робота, проверете дали свети индикаторът на базата за зареждане и потвърдете и двата края на захранващия адаптер на базата за зареждане са свързани добре В случай на лош контакт, моля, изчистете шрапнела на базата за зареждане и контакта за зареждане на робота или натиснете бутона страничната четка настрана
Роботът не може да бъде презареден	Роботът е твърде далеч от базата за зареждане, моля, поставете робота близо до базата за зареждане и направете още един опит
Ненормално поведение	Изключете и рестартирайте робота
Ненормален шум при използване	Основната четка, страничната четка или колелото могат да бъдат получени от чужди тела, моля, изключете робота, свалете основната четка и отстранете чуждите тела
Способността за почистване намалява или прахът пада	<ul style="list-style-type: none"> Кутията за прах е пълна, моля, изчистете я Филтърният екран е блокиран, моля, изчистете го или го сменете Основната четка е усукана от чужди тела, моля, свалете основната четка и отстранете чуждите тела
WiFi не може да бъде свързан	<ul style="list-style-type: none"> WiFi сигналът е лош, моля, уверете се, че е покрит от WiFi сигнал WiFi е свързан неправилно, моля, нулирайте WiFi, изтеглете най-новото приложение и опитайте да го свържете отново Паролата е въведена неправилно Рутерът е наличен за 5G честотна лента, почистващият робот е наличен само за 2.4G честотна лента
Почишването с фиксирано време е неуспешно	В случай на ниско ниво на батерията, почишването с фиксирано време може да започне само когато нивото на батерията е не по-малко от 30%
Дали роботът консумира енергия, ако винаги е поставен върху базата за зареждане	Роботът консумира малко енергия, ако винаги е поставен на базата за зареждане и позволява най-добрата работа на батерията
Дали роботът трябва да се зарежда за 16 часа за първите три пъти	Литиевата батерия може да се използва веднага след зареждане и няма ефект на памет

ОТСТРАНЯВАНЕ

Звуков сигнал	Решение
Грешка 1: Не мога да намеря прахоуловителя	Почистването се задейства, когато кутията за прах се извади
Грешка 2: Моля, проверете дали радарът отгоре е покрит или блокиран	Най-горният радар е покрит или поставен на открито (няма препятствие в рамките на площ от 6×6m ²)
Грешка 3: Моля, поставете ме на ново място и опитайте отново	Вземете робота или го преместете на друго място
Грешка 4: Моля, почистете сензора за скали и ме рестартирайте от ново място	Сензорът за скала е покрит или поставен на височина
Грешка 5: Моля, почистете предния сензор и ме рестартирайте от ново място	Инфрочервеният сензор за избягване е замърсен или покрит
Грешка 6: Моля, почистете десния сензор и ме рестартирайте от ново място	Сензорът за стена е замърсен или покрит
Грешка 7: Моля, почистете корпуса на радара отгоре и ме рестартирайте от ново място	Сензорът за избягване на радара е замърсен или покрит
Грешка 8: Моля, проверете дали бронята е блокирана по някакъв начин	Сензорът за ръб или сблъсък е заседнал
Грешка 9: Моля, почистете контейнера за прах и филтъра	Кутията за прах е пълна или филтърната мрежа трябва да бъде сменена
Грешка 10: Контейнерът за прах е отстранен, моля, почистете контейнера и филтъра	След издаване на грешка 9, потребителят изважда тръбната камера и се задейства грешка 10
Грешка 11: Заседнал съм	Роботът е заседнал
Грешка 12: Моля, поставете ме правилно!	Роботът е наклонен
Грешка 13: Моля, проверете дали колелата ми са блокирани някъде	Задвижващото колело е заседнало или усукано, моля, отстранете чуждите тела
Грешка 14: Моля, проверете дали основната четка е заседнала	Основната четка е усукана или заседнала, моля, отстранете я и отстранете чуждите тела
Грешка 15: Моля, проверете дали страничните четки са заседнали	Страничната четка е усукана или заседнала, моля, отстранете я и отстранете чуждите тела
Грешка 16: Къде е докинг станцията	Базата за зареждане не може да бъде намерена или не е включена
Грешка 17: Програмна грешка, моля, рестартирайте ме	Аномалиите са причинени от неизвестна повреда, рестартирайте робота
Грешка 18: Възникна грешка при стартиране на изключване	Роботът напомня на потребителя и се изключва автоматично или се зарежда
Грешка 19: Ниска батерия, моля, презаредете	Когато нивото на батерията е твърде ниско и роботът не е на базата за зареждане, почистването се задейства (нивото на батерията е по-ниско от 10%)
Грешка 20: Извадете от зарядната станция за изключване	Роботът се изключва при зареждане на базата за зареждане

СЪДЪРЖАНИЕ И НАИМЕНОВАНИЕ НА ОПАСНИ

Опасни вещества	Име на частта					
	Пластмасов корпус	Печатна платка	Захранваща линия	Батерия	Метални части	Адаптер:
Олово (Pb)	○	✗	✗	✗	○	✗
Живак (Hg)	○	○	○	○	○	○
Кадмий (Cd)	○	○	○	○	○	○
Хром VI (Cr (VI))	○	○	○	○	○	○
Полибромиран бифенил (PBB)	○	○	○	○	○	○
Полибромиран дифенил етер (PBDE)	○	○	○	○	○	○

○ : означава, че съдържанието на опасни и вредни вещества в компонента е по-малко от границата, предвидена от SJ/T11363-2006

✗ : означава, че съдържанието на опасни и вредни вещества, поне в този компонент, надвишава границата, предвидена в SJ/T11363-2006



ЗАБЕЛЕЖКА:

Съдържанието на олово в някои електронни компонента за специална употреба (като резистор за високо напрежение, керамичен резистор и диод и т.н.) в „X“ в таблицата може да бъде по-високо от 0,1%. Съдържанието на олово във високопроизводителната сплав, съдържащо се в USB кабела, също може да бъде по-голямо от 0,1%. Такива компоненти са в съответствие с клаузите на ЕС за освобождаване от ROHS. За технологии и компоненти, които не могат да бъдат заменени поради ограничения на нивото на технологично развитие, съдържанието на олово във външните контактни елементи отговаря на изискванията за опазване на околната среда.

ИНФОРМАЦИЯ ЗА БЕЗОПАСНОСТ

Ограничения при използване

- Продуктът се използва само за почистване на подове в домашна среда и не може да се използва за външна употреба (като открита тераса), мебели (като диван) и в търговска или промишлена среда
- Не използвайте уреда в среда без защитна ограда (като мезонет, открита тераса и мебелни плотове)
- Не използвайте уреда при температура над 40°C или под 0°C или когато има течности и лепкави вещества по пода
- Преди употреба прикрепете кабелите към пода (стените), за да избегнете изтеглянето им от робота
- Почиствайте хрежките предмети и замърсяванията (като вази, пластмасови торбички и т.н.) оставени на пода, за да избегнете повреда на ценности, когато роботът заседне.
- Хората с физически, душевни или разстройства на възприятието (включително деца) не трябва да използват или управляват робота
- Децата не трябва да използват уреда като играчка. Пазете децата и домашните любимци далеч, когато роботът работи
- Дръжте основната четка и други почистващи инструменти на място, недостъпно за деца
- Не поставяйте предмети (включително деца и домашни любимци) върху робота когато е в покой или в движение
- Дръжте косата, пръстите и други части на човешкото тяло или домашни любимци далеч от засмукващия отвор, докато роботът работи
- Не използвайте уреда за почистване на горящи предмети (като фасове от цигари)
- Не използвайте уреда за почистване на дългокосмести килими (някои тъмни на цвят килими може да не се почистват нормално)
- Не позволявайте на робота да изсмуква твърди или остри предмети (като отпадъчни декоративни материали, стъкло, железни пирони и др.)
- Не премествайте робота, като го държите за предпазния капак на лазерния сензор за разстояние и бронята против сблъсък
- Почиствайте или поддържайте робота и зарядната база само когато са изключени и не са свързани към електрическата мрежа
- Не избърсвайте никаква част от уреда с мокра кърпа или друга течност
- Използвайте продукта съгласно Ръководството за потребителя. Потребителят носи отговорност за всякакви повреди и наранявания, причинени от неправилна употреба
- Не използвайте функцията за мокро почистване за килими и мебели
- Не забравяйте да извадите резервоара за вода, когато роботът се зарежда

Батерия и зареждане

- Не използвайте батерия, основа за зареждане или зарядно устройство, предоставени от трети страни
- Не разглобявайте, поправяйте и не монтирайте произволно батерията или зарядната база
- Дръжте зареждащата станция далеч от източници на топлина (като котлон)
- Не избърсвайте и не почиствайте контактите на зарядното устройство Не изхвърляйте произволно използваните батерии. Използваните батерии трябва да се отстраняват от употреба от професионална агенция за рециклиране
- Ако захранващият кабел е повреден или счупен, изключете го незабавно и го заменете в сервиз
- Уверете се, че роботът е изключен по време на транспортиране, продуктът трябва да се транспортира в оригиналната си опаковка
- Ако роботът остане неизползван дълго време, той трябва да бъде напълно зареден и поставен на хладно и сухо място. Зареждайте робота поне веднъж на всеки 3 месеца, за да избегнете повреда на батериите поради прекомерно разреждане.

Информация за безопасност за лазера

- Лазерният сензор за разстояние отговаря на стандарта за лазерни продукти от клас 1 IEC60825 и не генерира опасно лазерно излъчване

Можете да свалите инструкцията за употреба на този линк:
<https://tesla.info/wp-content/uploads/pdf/TeslaVCR600Wapp.pdf>



Αποκλειστικά για οικιακή χρήση.
Διαβάστε προσεκτικά αυτό το εγχειρίδιο οδηγιών πριν από τη χρήση.

Ευχαριστούμε που επιλέξατε την Έξυπνη Ηλεκτρική Σκούπα Ρομπότ!

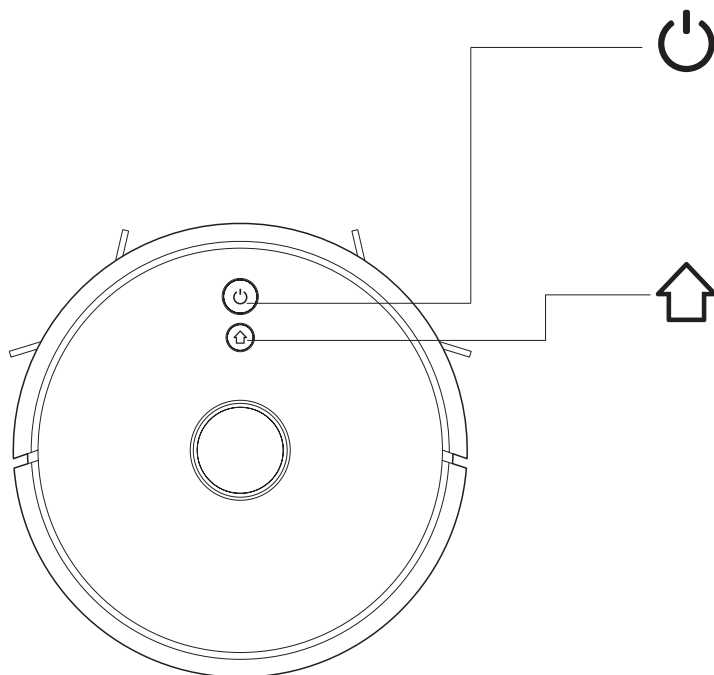
Πρόκειται για ένα ευφυές ρομπότ προγραμματισμένου καθαρισμού ανώτερης ποιότητας που συνδυάζει έναν ραδιοεντοπιστή υψηλής ακρίβειας με διαφορετικού τύπου αισθητήρες, η συνεργασία των οποίων εξασφαλίζεται μέσω ενός αλγόριθμου πλοήγησης. Σχεδιάζει τον χάρτη του χώρου σε πραγματικό χρόνο και χαράζει τη διαδρομή που θα ακολουθήσει, ενώ διαθέτει λειτουργία αυτόματου καθαρισμού και αυτόματης φόρτισης χωρίς χειροκίνητη παρέμβαση. Διαθέτει εξαιρετικά ισχυρή ισχύ αναρρόφησης, υψηλής χωρητικότητας δοχείο συλλογής ακαθαρσιών σε μορφή συρταριού, πλενόμενο πλέγμα φίλτρου HEPA και μονάδα υγρού καθαρισμού διαχωρισμένου τύπου, ενώ υποστηρίζει μια αποτελεσματική λειτουργία καθαρισμού, αρχικά με σάρωση και κατόπιν με σφουγγάρισμα.

Μπορείτε να κατεβάσετε την εφαρμογή για κινητές συσκευές στο smartphone σας για να ελέγχετε τον χάρτη καθαρισμού και την κατάσταση λειτουργίας του ρομπότ σε πραγματικό χρόνο, να ορίζετε την περιοχή και το χρονοδιάγραμμα καθαρισμού. Μπορείτε να χειρίζεστε το ρομπότ από απόσταση. Η επιστήμη και η τεχνολογία κάνουν τη ζωή καλύτερη.

Σας ευχόμαστε μια ευχάριστη εμπειρία χρήσης!

ΠΑΡΟΥΣΙΑΣΗ ΠΡΟΪΟΝΤΟΣ

Λειτουργίες κουμπιών



Σκούπισμα/Ενεργοποίηση και απενεργοποίηση

- Πατήστε σύντομα για εκκίνηση/παύση του σκουπίσματος
- Πατήστε παρατεταμένα για 3 δευτ. για ενεργοποίηση/ απενεργοποίηση της συσκευής
- Πατήστε παρατεταμένα για 15 δευτ. για αναγκαστικό τερματισμό λειτουργίας υπό μη φυσιολογικές συνθήκες

Επαναφόρτιση/επιτόπιος καθαρισμός

- Πατήστε σύντομα για επαναφόρτιση/παύση
- Πατήστε παρατεταμένα για έναρξη του επιτόπιου καθαρισμού

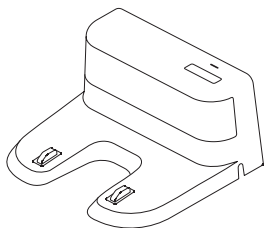
Ενδεικτικές λυχνίες

- Μπλε: Φυσιολογική λειτουργία ή φόρτιση
- Κόκκινη: Μη φυσιολογική κατάσταση ή χαμηλή στάθμη μπαταρίας
- Μαβ: Ο εξοπλισμός δεν είναι συνδεδεμένος στο δίκτυο

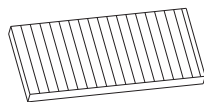
Επαναφορά δικτύου WiFi

- Πατήστε δύο κουμπιά ταυτόχρονα για 3 δευτ.

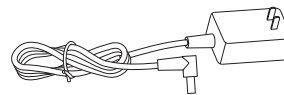
Κατάλογος εξαρτημάτων



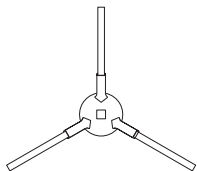
Βάση φόρτισης x1



Φίλτρο HEPA + σπογγώδες φίλτρο
x1



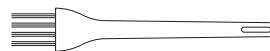
Προσαρμογέας x1



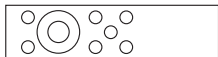
Αριστερή πλευρική βούρτσα x2
Δεξιά πλευρική βούρτσα x2



Βούρτσα καθαρισμού με λεπίδα x1 (προαιρετικά)

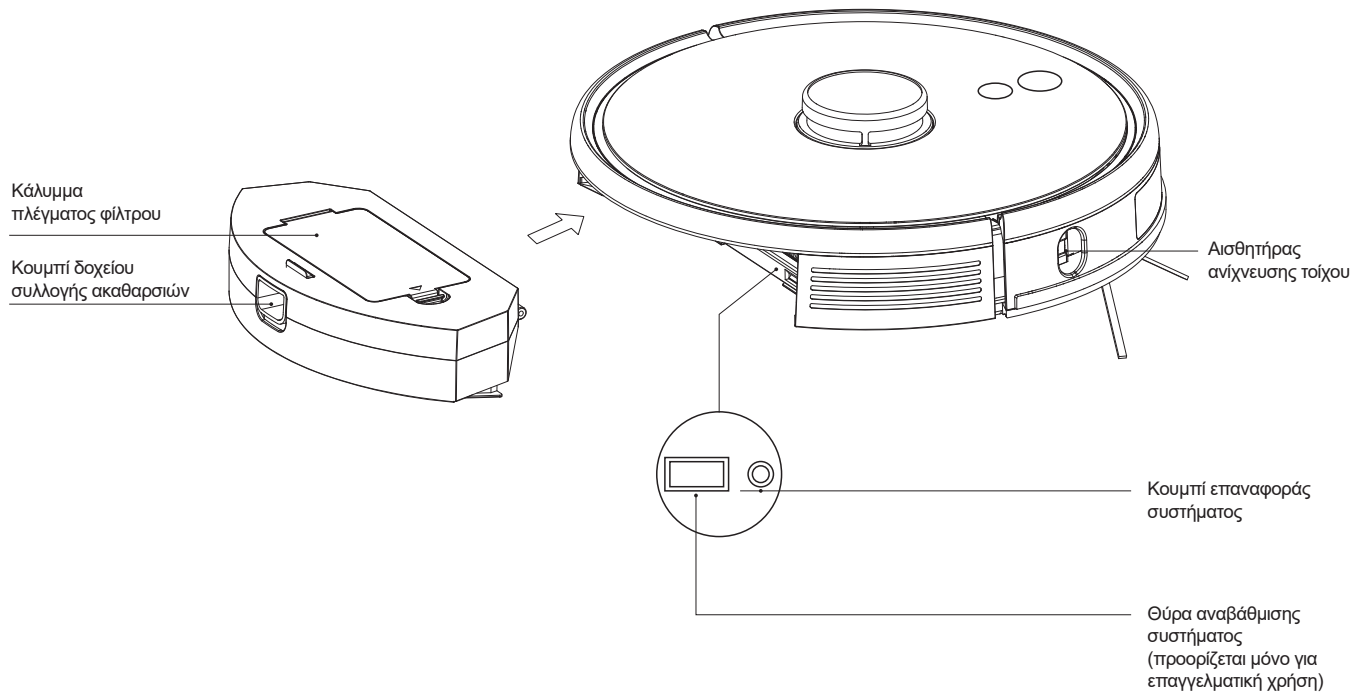


Βούρτσα καθαρισμού x1
(προαιρετικά)

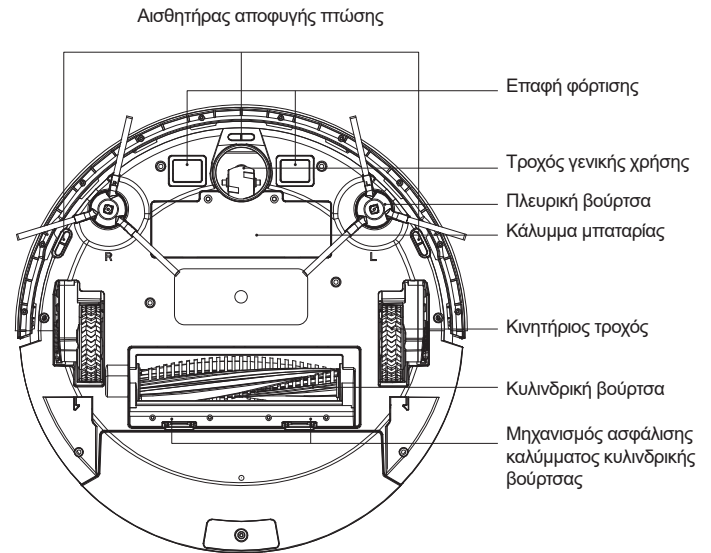
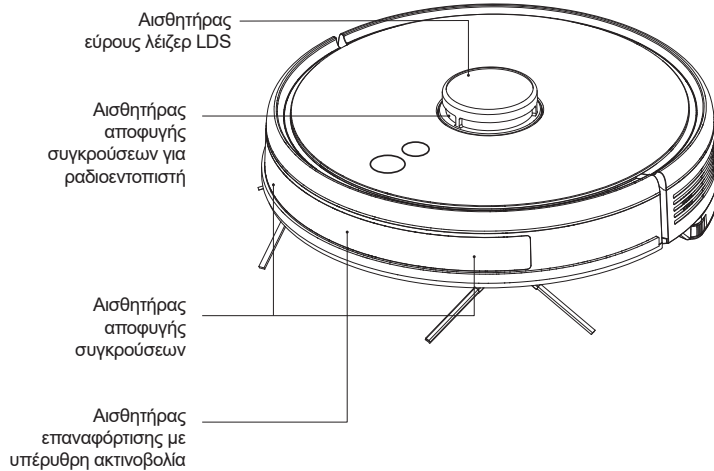


Τηλεχειριστήριο x1
(προαιρετικά)

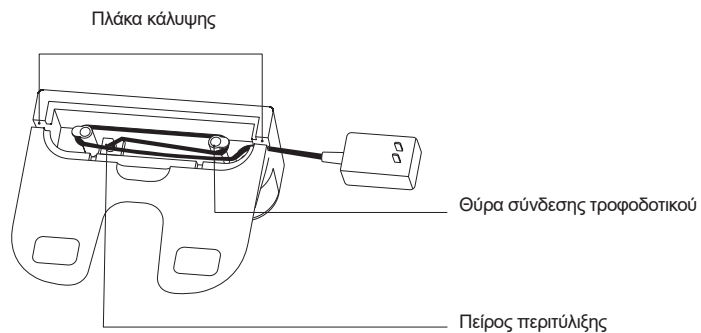
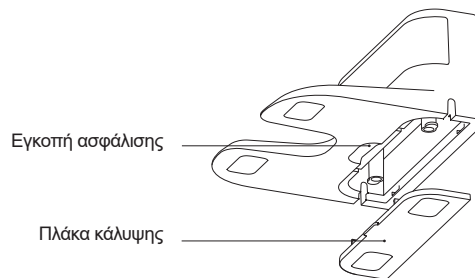
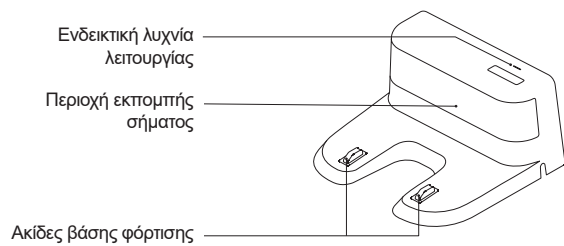
Ρομπότ



Αισθητήρες και δομή συσκευής

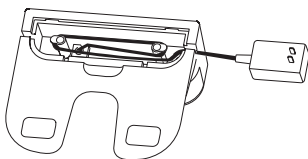


Βάση φόρτισης

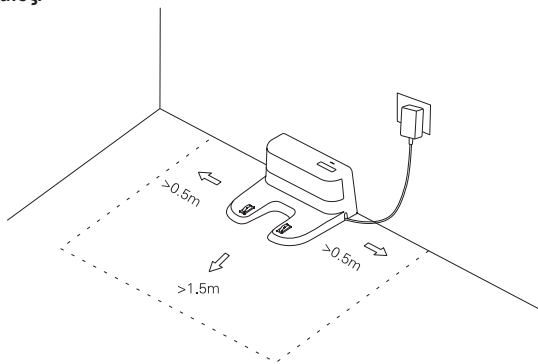


ΕΓΚΑΤΑΣΤΑΣΗ

1. Συνδέστε το καλώδιο τροφοδοσίας και εισαγάγετε την περίσσεια καλωδίου στην υποδοχή.



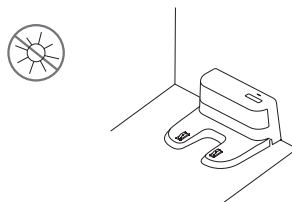
2. Εγκαταστήστε τη βάση φόρτισης σε τοίχο και συνδέστε την στην παροχή ρεύματος.



ΣΗΜΕΙΩΣΗ

- Αφήστε απόσταση μεγαλύτερη από 0,5m και στις δύο πλευρές της βάσης φόρτισης, καθώς και απόσταση μεγαλύτερη από 1,5m στην μπροστινή πλευρά.
- Εάν το καλώδιο τροφοδοσίας είναι εγκατεστημένο κατακόρυφα προς το δάπεδο, μπορεί να συμπαρασυρθεί από τη συσκευή ρομπότ, με αποτέλεσμα η βάση φόρτισης να απενεργοποιηθεί.
- Η φωτεινή ένδειξη φόρτισης είναι συνήθως αναμμένη όταν η συσκευή φορτίζεται και σβηστή όταν είναι φορτισμένη.

3. Μην μετακινείτε τη βάση φόρτισης αυθαίρετα και τοποθετήστε τη σε σημείο που δεν έρχεται σε άμεση έκθεση με το ηλιακό φως.

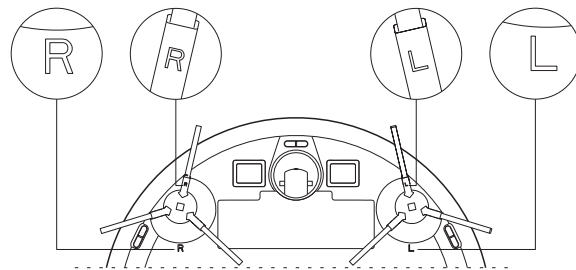


ΣΗΜΕΙΩΣΗ

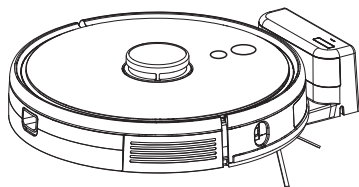
- Εάν η βάση φόρτισης μετατοπιστεί, η συσκευή μπορεί να μην καταφέρει να εντοπίσει τη θέση και να χάσει τον χάρτη. Εάν επανακινηθεί, η συσκευή θα επανασχεδιάσει και θα απομνημονεύσει τον χάρτη. Ο ανασχεδιασμένος χάρτης μπορεί να μην περιλαμβάνει πληροφορίες σχετικά με τον καθαρισμό απαγορευμένων περιοχών και άλλων σημείων.
- Η άμεση έκθεση στο ηλιακό φως θα προκαλέσει παρεμβολές στο σήμα επαναφόρτισης, με αποτέλεσμα η σκούπα ρομπότ να μην μπορεί ενδεχομένως να επιστρέψει στη βάση φόρτισης.

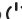
4. Τοποθέτηση πλευρικής βούρτσας

Βεβαιωθείτε ότι η αριστερή πλευρική βούρτσα (L) και η δεξιά πλευρική βούρτσα (R) έχουν τοποθετηθεί στις αντίστοιχες θέσεις L και R που επισημαίνονται στο περίβλημα του κάτω μέρους. Πατήστε τις ενδείξεις L και R και τοποθετήστε τις πλευρικές βούρτσες μέχρι να ασφαλισουν στη θέση τους.



5. Εκκίνηση και φόρτιση



Πατήστε παρατεταμένα το  για να ενεργοποιήσετε τη σκούπα ρομπότ. Φορτίστε τη σκούπα ρομπότ στη βάση φόρτισης όταν η ενδεικτική λυχνία λειτουργίας ανάβει κανονικά.

ΣΗΜΕΙΩΣΗ

Εάν η σκούπα ρομπότ δεν μπορεί να εκκινήθει λόγω χαμηλής στάθμης μπαταρίας, φορτίστε τη στη βάση φόρτισης. Μόλις ολοκληρωθεί η φόρτιση, η σκούπα ρομπότ θα ξεκινήσει αυτόματα. Η σκούπα ρομπότ μπορεί να λειτουργεί κανονικά μόνο όταν η στάθμη της μπαταρίας είναι $\geq 20\%$.

6. Σύνδεση με εφαρμογή για κινητές συσκευές (αυτό το βήμα μπορεί να παραλειφθεί)

Ανατρέξτε στις οδηγίες σύνδεσης στο δίκτυο WiFi, κατόπιν συνδέστε τη σκούπα με την εφαρμογή για κινητές συσκευές.

7. Έναρξη καθαρισμού

Μετά την ενεργοποίηση της σκούπας ρομπότ, πατήστε σύντομα το κουμπί ??? ή χρησιμοποιήστε την εφαρμογή για κινητές συσκευές για να ξεκινήσει ο καθαρισμός (πατήστε οποιοδήποτε κουμπί για παύση του καθαρισμού).

ΣΗΜΕΙΩΣΗ

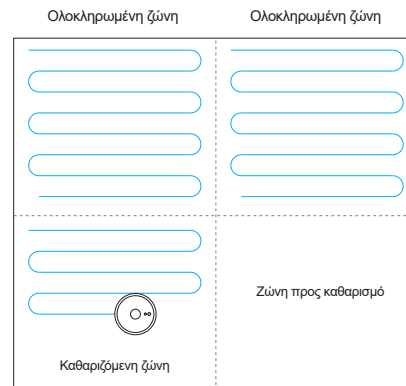
- Η σκούπα ρομπότ σάρωσης δεν μπορεί να χρησιμοποιηθεί για τον καθαρισμό υγρών.
- Εάν η στάθμη της μπαταρίας μειωθεί κάτω από 20%, η λειτουργία της σκούπας ρομπότ δεν είναι δυνατή. Φορτίστε την.
- Η σκούπα ρομπότ θα επιστρέψει αυτόματα στη βάση φόρτισης εάν η στάθμη της μπαταρίας μειωθεί κάτω από 20% κατά τη διάρκεια της χρήσης και θα απενεργοποιηθεί. Ο καθαρισμός θα ξεκινήσει εκ νέου αυτόματα μόλις η στάθμη της μπαταρίας ανέλθει στο 80%.
- Απομακρύνετε διάφορα καλώδια (συμπεριλαμβανομένου του καλωδίου τροφοδοσίας της βάσης φόρτισης) από το δάπεδο πριν από τον καθαρισμό, προκειμένου να

αποφευχθεί η διακοπή ρεύματος και η πρόκληση ζημιάς σε αντικείμενα ή καλώδια που συμπαράσονται στο πέρασμα της σκούπας ρομπότ.

ΟΔΗΓΙΕΣ

Λειτουργία καθαρισμού

Μετά την ενεργοποίηση της σκούπας ρομπότ, αυτή θα σαρώσει και θα δημιουργήσει έναν χάρτη του χώρου, τον οποίο θα χωρίσει έξυπνα σε ζώνες. Στη συνέχεια, θα σκουπίσει τις ζώνες μία προς μία κατά μήκος του τοίχου με τακτικό, αποτελεσματικό και σχολαστικό τρόπο και θα σχεδιάσει τη διαδρομή καθαρισμού με σχήμα τόξου/S. Η σκούπα ρομπότ θα επιστρέψει στη βάση φόρτισης αυτόματα μετά τον καθαρισμό



ΣΗΜΕΙΩΣΗ


Μη μετακινείτε τη σκούπα ρομπότ συχνά όταν καθαρίζει. Εάν χρειαστεί να τη μετακινήσετε, φροντίστε μετά να την τοποθετήσετε κοντά στην αρχική της θέση. Όταν αρχίσει να λειτουργεί ξανά, θα προσπαθήσει να επαναπροσδιορίσει τη θέση της. Μετά τον επιτυχή προσδιορισμό της θέσης της, θα ακολουθήσει την προγραμματισμένη διαδρομή και θα συνεχίσει τη λειτουργία της.

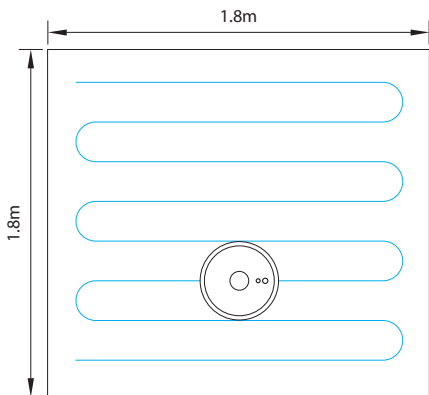
Εάν η διαδικασία προσδιορισμού της θέσης της αποτύχει, θα ακυρώσει την προηγούμενη εντολή καθαρισμού που είχε λάβει, θα σχεδιάσει εκ νέου τον χάρτη του χώρου και θα ξεκινήσει τον καθαρισμό από την αρχή. Ενδέχεται να μην μπορέσει να εντοπίσει ούτε τη βάση φόρτισης.

Επιτόπιος καθαρισμός

Όταν ένα επιμέρους σημείο χρειάζεται καλό σκούπισμα, ο χρήστης ορίζει το εν λόγω σημείο στον χάρτη μέσω της εφαρμογής. Η σκούπα ρομπότ θα μετακινηθεί αυτόματα κοντά στο σημείο, το οποίο θα θεωρήσει κέντρο και θα καθαρίσει σε ένα εύρος 1,5m x 1,5m.

Μερικός καθαρισμός

Όταν δεν είναι δυνατός ο χειρισμός της σκούπας ρομπότ μέσω της εφαρμογής για κινητές συσκευές, μετακινήστε τη σκούπα ρομπότ στο σημείο που θέλετε να καθαριστεί. Πατήστε παρατεταμένα το κουμπί  για 3 δευτερόλεπτα και το ρομπότ θα καθαρίσει δύο φορές σε εμβέλεια 1,8m x 1,8m θεωρώντας κέντρο την ίδια.



Περιοχή καθαρισμού οριζόμενη από τον χρήστη

Χρησιμοποιήστε την εφαρμογή για κινητές συσκευές για να ορίσετε το μέγεθος και την τοποθεσία της περιοχής που θέλετε να καθαριστεί. Μπορείτε να ορίσετε μία ή περισσότερες περιοχές. Η σκούπα ρομπότ θα ξεκινήσει τη διαδικασία καθαρισμού με βάση τις περιοχές που ορίσατε.

Αποκλεισμένη περιοχή

Ορίστε μία ή περισσότερες περιοχές στις οποίες η σκούπα ρομπότ δεν πρέπει να καθαρίσει μέσω της εφαρμογής. Η σκούπα ρομπότ θα σκουπίσει όλες τις περιοχές πέραν των απαγορευμένων.



ΣΗΜΕΙΩΣΗ

- Η σκούπα ρομπότ μπορεί να εισέλθει σε αποκλεισμένες περιοχές λόγω σφαλμάτων τοποθέτησης, δυσλειτουργιών των αισθητήρων και άλλους λόγους.
- Μια μόνιμα αποκλεισμένη ζώνη μπορεί να μη ληφθεί υπόψη από το σύστημα λόγω σημαντικών αλλαγών στη θέση της βάσης φόρτισης και των επίπλων. Συνεπώς, προσπαθήστε να μη μετακινείτε ούτε να παρεμβαίνετε στη λειτουργία της σκούπας ρομπότ κατά τον καθαρισμό
- Μια μόνιμα αποκλεισμένη περιοχή θα χαθεί σε περίπτωση επανασχεδίασης του χάρτη.

Προγραμματισμένος καθαρισμός

Μέσω της εφαρμογής μπορεί να οριστεί ένα χρονοδιάγραμμα καθαρισμού. Η σκούπα ρομπότ θα ξεκινήσει τον καθαρισμό αυτόματα την προκαθορισμένη ώρα και θα επιστρέψει στη βάση φόρτισης μόλις ολοκληρώσει τη διαδικασία καθαρισμού.

Επαναφορά δικτύου WiFi

Εάν το κινητό τηλέφωνο δεν μπορεί να συνδεθεί με τη σκούπα ρομπότ λόγω τροποποίησης στη διαμόρφωση του δρομολογητή και του κωδικού πρόσβασης ή για άλλους λόγους, πατήστε ταυτόχρονα τα κουμπιά  και  για 3 δευτ. μέχρι να ακουστεί το μήνυμα «WiFi has been reset (Έγινε επαναφορά του WiFi)» και η ενδεικτική λυχνία να ανάβει με μοβ χρώμα και να αρχίσει να αναβοσβήνει αργά.



Λειτουργία DND (μην ενοχλείτε)

Το ρομπότ δεν σκουπίζει το δάπεδο ούτε εκπέμπει κάποιο ηχητικό σήμα αυτόματα όταν είναι επιλεγμένη η λειτουργία DND. Η διάρκεια της λειτουργίας DND μπορεί να οριστεί κατά την εκκίνηση ή να τροποποιηθεί μέσω της εφαρμογής.

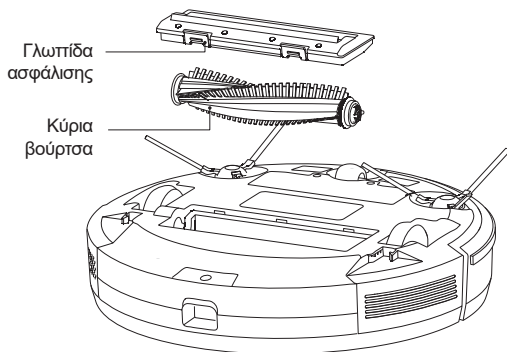
Ρύθμιση ισχύος αναρρόφησης

Μπορείτε να ρυθμίσετε την ισχύ αναρρόφησης στο επίπεδο αθόρυβης, κανονικής ή υψηλής λειτουργίας, μέσω της εφαρμογής για κινητές συσκευές

ΚΑΘΗΜΕΡΙΝΗ ΣΥΝΤΗΡΗΣΗ

Κυλινδρική βούρτσα (καθαρίζετε την τακτικά)

1. Αναποδογυρίστε το ρομπότ και πιάστε τον μηχανισμό ασφάλισης στο κάλυμμα της κυλινδρικής βούρτσας για να την αφαιρέσετε.
2. Απομακρύνετε τυχόν ακαθαρσίες που έχουν παγιδευτεί εξωτερικά και εσωτερικά της κυλινδρικής βούρτσας χρησιμοποιώντας μια μικροσκοπική βούρτσα για να την καθαρίσετε.
3. Επαναποθετήστε την κυλινδρική βούρτσα και πιάστε το κάλυμμά της καλά μέχρι να ασφαλίσει στη θέση του.

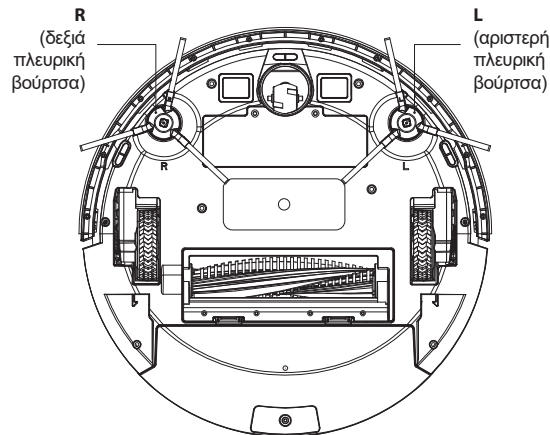


Πλευρική βούρτσα (καθαρίζετε την τακτικά)

1. Αναποδογυρίστε τη σκούπα ρομπότ και τραβήξτε την πλευρική βούρτσα προς τα έξω ανασηκώνοντάς την.
2. Αφαιρέστε τυχόν τρίχες και ακαθαρσίες που έχει μαζέψει και επαναποθετήστε την.
3. Βεβαιωθείτε ότι η αριστερή πλευρική βούρτσα (L) και η δεξιά πλευρική βούρτσα (R) έχουν τοποθετηθεί στις αντίστοιχες θέσεις L και R που επισημαίνονται στο περίβλημα του κάτω μέρους. Πατήστε τις ενδείξεις L και R για να τις επαντοποθετήσετε.

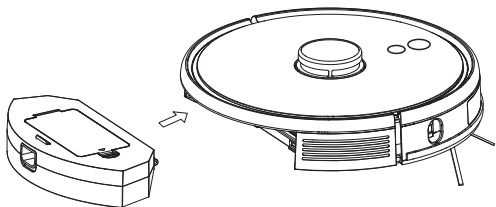
ΣΗΜΕΙΩΣΗ

Αντικαταστήστε τις πλευρικές βούρτσες κάθε 3-6 μήνες για να διασφαλίσετε τη βέλτιστη απόδοση καθαρισμού.

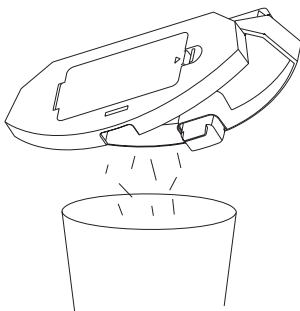


Δοχείο συλλογής ακαθαρσιών και πλέγμα φίλτρου (καθαρίζετε τα τακτικά)

1. Πατήστε το κουμπί και τραβήξτε προς τα πίσω τον κάδο συλλογής ακαθαρσιών για να τον αφαιρέσετε.

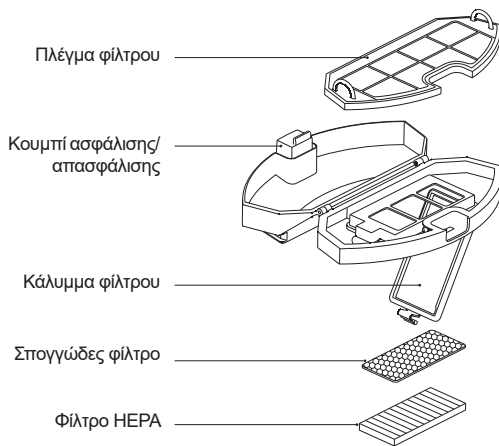


2. Ανοίξτε και καθαρίστε τον κάδο συλλογής ακαθαρσιών.



Καθαρισμός πλέγματος φίλτρου (καθαρίζετε το τακτικά)

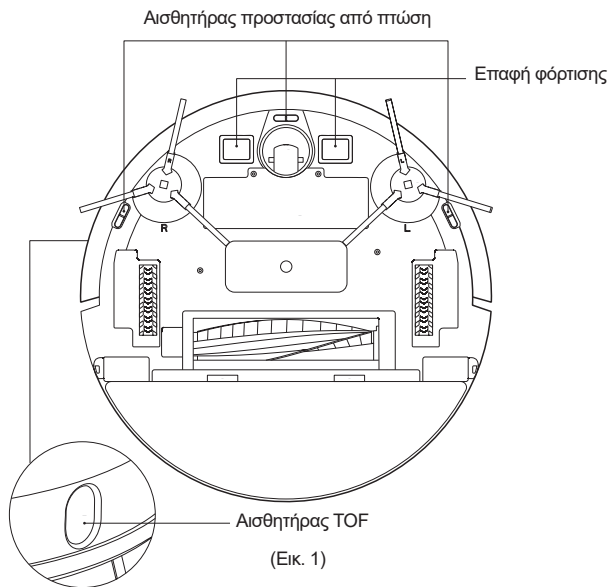
1. Ύστερα από παρατεταμένη περίοδο χρήσης, αφαιρέστε το πλέγμα, το σπογγώδες φίλτρο και το φίλτρο HEPA
2. Πλύνετε το πλέγμα, το σπογγώδες φίλτρο και το φίλτρο HEPA με νερό.
3. Τινάξτε τις σταγόνες νερού και αφήστε τα να στεγνώσουν φυσικά. Επαναχρησιμοποιήστε τα αφού στεγνώσουν εντελώς.
4. Αφού στεγνώσουν, επανατοποθετήστε διαδοχικά το πλέγμα, το σπογγώδες φίλτρο και το φίλτρο HEPA στη συσκευή.



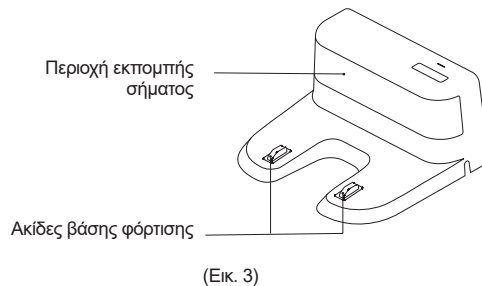
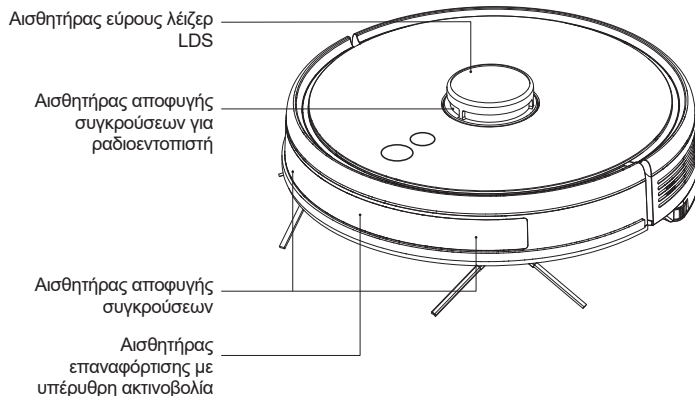
Αισθητήρας (καθαρίζετε τον τακτικά)

Καθαρίστε τους αισθητήρες με ένα μαλακό βρεγμένο πανί. Στους αισθητήρες περιλαμβάνονται:

1. Οι αισθητήρες στη δεξιά πλευρά κατά μήκος του δεξιού τοιχώματος.
2. Τρεις αισθητήρες προστασίας από πτώση που βρίσκονται στο κάτω μέρος της σκούπας ρομπότ.
3. Αισθητήρας υπέρυθρης ακτινοβολίας για την αποφυγή εμποδίων στο μπροστινό μέρος της σκούπας ρομπότ.
4. Αισθητήρας ραδιοεντοπισμού για την αποφυγή εμποδίων στο επάνω μέρος της σκούπας ρομπότ.
5. Διάταξη προστασίας από ηλεκτροπληξία και περιβλημά βάσης φόρτισης στο κάτω μέρος της σκούπας ρομπότ (διακόπτει την παροχή ρεύματος κατά τον καθαρισμό).
6. Περιοχή μετάδοσης σήματος της βάσης φόρτισης.



Αισθητήρας (καθαρίζεται κάθε μήνα)



Μπαταρία

- Η σκούπα ρομπότ διαθέτει μπαταρίες ιόντων λιθίου υψηλής απόδοσης. Για διατήρηση της απόδοσης των μπαταριών, φροντίστε η σκούπα ρομπότ να είναι φορτισμένη σε καθημερινή βάση.
- Εάν το ρομπότ δεν χρησιμοποιηθεί για μεγάλο χρονικό διάστημα, θέστε το εκτός λειτουργίας και αποθηκεύστε το σε κατάλληλες συνθήκες. Φορτίζετε το τουλάχιστον μία φορά κάθε 3 μήνες, προκειμένου να μην προκληθεί ζημιά στις μπαταρίες λόγω υπερβολικής εκφόρτισης.

Αναβάθμιση υλικολογισμικού

Αναβαθμίστε το υλικολογισμικό της συσκευής μέσω της εφαρμογής για κινητές συσκευές. Σε περίπτωση κυκλοφορίας νέας έκδοσης υλικολογισμικού, πραγματοποιήστε αναβάθμιση σύμφωνα με το αντίστοιχο μήνυμα ειδοποίησης. Η στάθμη της μπαταρίας θα πρέπει να είναι >50% κατά την αναβάθμιση του υλικολογισμικού, επομένως η σκούπα-ρομπότ πρέπει να τοποθετηθεί στη βάση φόρτισης

Επαναφορά συστήματος

Φαιρέστε το δοχείο συλλογής ακαθαρσιών, ανοίξτε το λαστιχένιο βύσμα και πατήστε το κουμπί επαναφοράς (βλ. σελίδα 4). Ο τρέχων χάρτης θα χαθεί, αλλά οι ρυθμίσεις χρόνου, WiFi και οι εξατομικευμένες ρυθμίσεις θα διατηρηθούν και μετά την επαναφορά του συστήματος.

ΣΥΝΗΘΗ ΠΡΟΒΛΗΜΑΤΑ

Πρόβλημα	Λύση
Δεν είναι δυνατή η εκκίνηση του ρομπότ	<ul style="list-style-type: none">• Σε περίπτωση χαμηλής στάθμης μπαταρίας, τοποθετήστε το ρομπότ στη βάση φόρτισης και ευθυγραμμίστε το στην πλάκα του ηλεκτροδίου. Το ρομπότ θα ξεκινήσει αυτόματα (εάν το ρομπότ είναι εντελώς απενεργοποιημένο, μπορεί να ξεκινήσει αυτόματα μετά χρεώθηκε για λίγο)• Εάν η θερμοκρασία περιβάλλοντος είναι χαμηλότερη από 0°C ή υψηλότερη από 50°C, χρησιμοποιήστε το σε θερμοκρασία 0-40°C
Το ρομπότ δεν μπορεί να φορτιστεί	<ul style="list-style-type: none">• Απομακρύνετε το ρομπότ, ελέγξτε αν ανάβει η ενδεικτική λυχνία της βάσης φόρτισης και επιβεβαιώστε και τα δύο άκρα του μετασχηματιστή ρεύματος της βάσης φόρτισης συνδέονται καλά• Σε περίπτωση κακής επαφής, καθαρίστε τα σκάγια βάσης φόρτισης και την επαφή φόρτισης στο ρομπότ ή σπρώξτε το πλαινή βούρτσα στην άκρη
Το ρομπότ δεν μπορεί να επαναφορτιστεί	Το ρομπότ είναι πολύ μακριά από τη βάση φόρτισης, τοποθετήστε το ρομπότ κοντά στη βάση φόρτισης και κάντε άλλη μια προσπάθεια
Ανώμαλη συμπεριφορά	Κλείστε και επανεκινήστε το ρομπότ
Μη φυσιολογικός θόρυβος κατά τη χρήση	Η κύρια βούρτσα, η πλαινή βούρτσα ή ο τροχός μπορούν να ληφθούν από ξένα σώματα, κλείστε το ρομπότ, αφαιρέστε την κύρια βούρτσα και αφαιρέστε τα ξένα σώματα
Η ικανότητα καθαρισμού μειώνεται ή πέφτει η σκόνη	<ul style="list-style-type: none">• Το κουτί σκόνης είναι γεμάτο, καθαρίστε το• Η οθόνη του φίλτρου είναι μπλοκαρισμένη, καθαρίστε ή αντικαταστήστε την• Η κύρια βούρτσα είναι στριφογυρισμένη από ξένα σώματα, αφαιρέστε την κύρια βούρτσα και αφαιρέστε τα ξένα σώματα
Δεν είναι δυνατή η σύνδεση του WiFi	<ul style="list-style-type: none">• Το σήμα WiFi είναι κακό, βεβαιωθείτε ότι καλύπτεται από σήμα WiFi• Το WiFi δεν είναι κανονικά συνδεδεμένο, επαναφέρετε το WiFi, κατεβάστε την πιο πρόσφατη APP και προσπαθήστε να την επανασυνδέσετε• Ο κωδικός πρόσβασης έχει εισαχθεί λανθασμένα• Ο δρομολογητής είναι διαθέσιμος για ζώνη συχνοτήτων 5G, το ρομπότ καθαρισμού είναι διαθέσιμο μόνο για ζώνη συχνοτήτων 2,4G
Ο καθαρισμός σταθερού χρόνου αποτυγχάνει	Σε περίπτωση χαμηλής στάθμης μπαταρίας, ο καθαρισμός σταθερού χρόνου μπορεί να ξεκινήσει μόνο όταν η στάθμη της μπαταρίας δεν είναι μικρότερη από 30%
Εάν το ρομπότ καταναλώνει ενέργεια εάν είναι πάντα τοποθετημένο στη βάση φόρτισης	Το ρομπότ καταναλώνει λίγη ενέργεια εάν είναι πάντα τοποθετημένο στη βάση φόρτισης και επιτρέπει την καλύτερη απόδοση της μπαταρίας
Εάν το ρομπότ πρέπει να φορτιστεί για 16 ώρες για τις πρώτες τρεις φορές	Η μπαταρία λιθίου μπορεί να χρησιμοποιηθεί αμέσως μετά τη φόρτιση και δεν έχει αποτέλεσμα μνήμης

ΑΝΤΙΜΕΤΩΠΙΣΗ ΠΡΟΒΛΗΜΑΤΩΝ

Ηχητικό μήνυμα ειδοποίησης	Λύση
Σφάλμα 1: Δεν μπορώ να βρω τον συλλέκτη σκόνης	Ο καθαρισμός ενεργοποιείται όταν αφαιρείται το δοχείο συλλογής ακαθαρσιών.
Σφάλμα 2: Ελέγξτε εάν το ραντάρ στην κορυφή έχει καλυφθεί ή μπλοκαριστεί	Ο ραδιοεντοπιστής στο επάνω μέρος της συσκευής είναι καλυμμένος ή βρίσκεται σε ανοιχτό χώρο (δεν υπάρχει εμπόδιο σε εύρος 6x6m ²).
Σφάλμα 3: Τοποθετήστε με σε νέα τοποθεσία και δοκιμάστε ξανά	Σηκώστε το ρομπότ από το έδαφος ή κρατήστε το ψηλά.
Σφάλμα 4: Καθαρίστε τον αισθητήρα βράχου και επανεκκινήστε με από μια νέα τοποθεσία	Ο αισθητήρας ανίχνευσης ύψους είναι καλυμμένος ή βρίσκεται σε θέση με μεγάλο ύψος.
Σφάλμα 5: Καθαρίστε τον μπροστινό αισθητήρα και επανεκκινήστε με από μια νέα τοποθεσία	Ο αισθητήρας υπέρυθρης ακτινοβολίας για την αποφυγή εμποδίων είναι λερωμένος ή καλυμμένος.
Σφάλμα 6: Καθαρίστε τον δεξιό αισθητήρα και επανεκκινήστε με από μια νέα τοποθεσία	Ο αισθητήρας ανίχνευσης τοίχου είναι λερωμένος ή καλυμμένος.
Σφάλμα 7: Καθαρίστε το περιβλήμα του ραντάρ στην κορυφή και επανεκκινήστε με από μια νέα τοποθεσία	Ο αισθητήρας ραδιοεντοπισμού εμποδίων είναι λερωμένος ή καλυμμένος.
Σφάλμα 8: Ελέγξτε εάν ο προφυλακτήρας έχει μπλοκαριστεί με κάποιο τρόπο	Το άκρο της σκούπας ρομπότ ή ο αισθητήρας αποφυγής σύγκρουσης έχει κολλήσει.
Σφάλμα 9: Καθαρίστε το δοχείο σκόνης και το φίλτρο	Το δοχείο συλλογής ακαθαρσιών είναι γεμάτο ή το πλέγμα του φίλτρου χρειάζεται αντικατάσταση.
Σφάλμα 10: Το δοχείο σκόνης έχει αφαιρεθεί, καθαρίστε το δοχείο και το φίλτρο	Μετά την έκδοση του σφάλματος 9, ο χρήστης αφαιρεί το διαμέρισμα του δοχείου συλλογής και ενεργοποιείται το σφάλμα 10.
Σφάλμα 11: Έχω κολλήσει	Η σκούπα ρομπότ έχει κολλήσει.
Σφάλμα 12: Παρακαλώ τοποθετήστε με σωστά!	Η σκούπα ρομπότ γέρνει.
Σφάλμα 13: Ελέγξτε εάν οι τροχοί μου έχουν μπλοκαριστεί κάπου	Ο κινητήριος τροχός έχει μπλοκάρει ή ξένα σώματα έχουν προσκολληθεί πάνω του.
Σφάλμα 14: Ελέγξτε εάν η κύρια βούρτσα έχει κολλήσει	Η κύρια βούρτσα έχει μπλοκάρει ή ξένα σώματα έχουν προσκολληθεί πάνω της.
Σφάλμα 15: Ελέγξτε εάν οι πλαϊνές βούρτσες έχουν κολλήσει	Οι πλευρικές βούρτσες έχουν μπλοκάρει ή ξένα σώματα έχουν προσκολληθεί πάνω τους.
Σφάλμα 16: Πού βρίσκεται η βάση σύνδεσης	Δεν είναι δυνατή η εύρεση της βάσης φόρτισης από τη σκούπα ή η βάση φόρτισης δεν είναι συνδεδεμένη στην παροχή ρεύματος.
Σφάλμα 17: Σφάλμα προγράμματος, επανεκκινήστε με	Οι δυσλειτουργίες οφείλονται σε άγνωστη βλάβη, επανεκκινήστε τη σκούπα ρομπότ.

Ηχητικό μήνυμα ειδοποίησης	Λύση
Σφάλμα 18: Παρουσιάστηκε σφάλμα κατά την έναρξη του τερματισμού λειτουργίας	Η σκούπα ρομπότ εκπέμπει ένα σχετικό μήνυμα υπενθύμισης για τον χρήστη και τίθεται εκτός λειτουργίας αυτόματα ή ξεκινά η επαναφόρτίσή της.
Σφάλμα 19: Χαμηλή μπαταρία, επαναφορτίστε	Όταν η στάθμη μπαταρίας είναι υπερβολικά χαμηλή και η σκούπα ρομπότ δεν είναι τοποθετημένη στη βάση φόρτισης, ενεργοποιείται ο καθαρισμός (στάθμη μπαταρίας χαμηλότερη από 10%).
Σφάλμα 20: Αφαιρέστε από το σταθμό φόρτισης για απενεργοποίηση	Η σκούπα ρομπότ τίθεται εκτός λειτουργίας κατά τη φόρτιση στη βάση φόρτισης.

ΠΕΡΙΕΚΤΙΚΟΤΗΤΑ ΚΑΙ ΟΝΟΜΑΣΙΑ ΕΠΙΚΙΝΔΥΝΩΝ ΟΥΣΙΩΝ

Επικίνδυνη ουσία	Ονομασία εξαρτήματος					
	Πλαστικό περιβλήμα	Πλακέτα κυκλώματος	Καλώδιο ρεύματος	Μπαταρία	Μεταλλικό εξάρτημα	Προσαρμογέας
Μόλυβδος (Pb)	0	×	×	×	0	×
Υδράργυρος (Hg)	0	0	0	0	0	0
Κάδμιο (Cd)	0	0	0	0	0	0
Χρώμιο VI (Cr (VI))	0	0	0	0	0	0
Πολυβρωμιωμένα διφαινύλια (PBBS)	0	0	0	0	0	0
Πολυβρωμιωμένοι διφαινυλαιθέρες (PBDE)	0	0	0	0	0	0

0: σημαίνει ότι η περιεκτικότητα του εξαρτήματος σε επικίνδυνες και επιβλαβείς ουσίες είναι μικρότερη από το όριο που ορίζεται στο SJ/T11363-20066

×: σημαίνει ότι η περιεκτικότητα τουλάχιστον του εξαρτήματος σε επικίνδυνες και επιβλαβείς υπερβαίνει το όριο που ορίζεται στο SJ/T11363-2006



Η περιεκτικότητα σε μόλυβδο κάποιων ηλεκτρονικών εξαρτημάτων που επιτελούν μια ειδική λειτουργία (όπως αντίσταση υψηλής τάσης, κεραμική αντίσταση και δίοδος κ.λπ.) στο «X» στον πίνακα μπορεί να είναι μεγαλύτερη από 0,1%. Η περιεκτικότητα σε μόλυβδο του πυρίνα του μπουλονιού και του κράματος υψηλής απόδοσης που περιέχεται στο καλώδιο USB μπορεί επίσης να είναι μεγαλύτερη από 0,1%. Τέτοιου είδους εξαρτήματα συμμορφώνεται με τις ρήτρες εξαίρεσης της ευρωπαϊκής οδηγίας ROHS. Για τεχνολογίες και εξαρτήματα που δεν μπορούν να αντικατασταθούν λόγω περιορισμών ως προς το επίπεδο της τεχνολογικής στάθμης, η περιεκτικότητα των εξωτερικών στοιχείων επαφής σε μόλυβδο συμμορφώνεται με τις απαιτήσεις προστασίας του περιβάλλοντος.

ΠΛΗΡΟΦΟΡΙΕΣ ΓΙΑ ΤΗΝ ΑΣΦΑΛΕΙΑ

Περιορισμοί κατά τη χρήση

- Το προϊόν χρησιμοποιείται για τον καθαρισμό δαπέδων αποκλειστικά σε οικιακά περιβάλλοντα και δεν μπορεί να χρησιμοποιηθεί σε εξωτερικούς χώρους (όπως ανοιχτή βεράντα), σε επιφάνειες εκτός δαπέδων (όπως καναπέδες) ή σε εμπορικούς και βιομηχανικούς χώρους.
- Μη χρησιμοποιείτε τη συσκευή σε διαμερίσματα (όπως ρετιρέ, ανοιχτή βεράντα και επιφάνεια επίπλων) που δεν διαθέτουν περίφραξη προστασίας
- Μη χρησιμοποιείτε το προϊόν σε θερμοκρασία άνω των 40°C ή κάτω των 0°C, ή σε χώρους στους οποίους υπάρχουν υγρά και κολλώδεις ουσίες στο δάπεδο.
- Πριν από τη χρήση της συσκευής, κρεμάστε τυχόν καλώδια που υπάρχουν στο δάπεδο ώστε να μην τα συμπαράσχει.
- Απομακρύνετε τα εύθραυστα αντικείμενα και τις ακαθαρσίες (όπως βάζα, πλαστικές σακούλες κ.λπ.) που υπάρχουν στο δάπεδο, προκειμένου να αποφευχθεί η πρόκληση ζημιάς σε πολύτιμα αντικείμενα όταν η συσκευή κολλήσει ή προσκρούσει ελαφρά σε κάποιο αντικείμενο.
- Τα άτομα με σωματική, πνευματική ή διανοητική διαταραχή (συμπεριλαμβανομένων των παιδιών) δεν επιτρέπεται να χρησιμοποιούν ή να χειρίζονται τη συσκευή.
- Τα παιδιά δεν πρέπει να παίζουν με τη συσκευή. Κρατάτε τα παιδιά και τα κατοικίδια μακριά από τη συσκευή όταν βρίσκεται σε λειτουργία.
- Κρατάτε την κύρια βούρτσα και άλλα εξαρτήματα καθαρισμού μακριά από τα παιδιά.
- Μην τοποθετείτε αντικείμενα (συμπεριλαμβανομένων των παιδιών και των κατοικίδιων)

Μπαταρία και φόρτιση

- Μη χρησιμοποιείτε μπαταρίες, βάση φόρτισης ή φορτιστή τρίτων κατασκευαστών.
- Μην αφαιρείτε ή επανατοποθετείτε την μπαταρία ή τη βάση βούλτησης αυθαίρετα.
- Τοποθετήστε τη βάση φόρτισης μακριά από πηγές θερμότητας (όπως θερμαντικές πλάκες).
- Μη σκουπίζετε ή καθαρίζετε το περίβλημα της βάσης φόρτισης με βρεγμένο πανί ή βρεγμένα χέρια.
- Μην απορρίπτετε τις χρησιμοποιημένες μπαταρίες μαζί με τα υπόλοιπα απορρίμματα. Οι χρησιμοποιημένες μπαταρίες θα πρέπει να απορρίπτονται από επαγγελματική υπηρεσία ανακύκλωσης.

Πληροφορίες για την ασφαλή χρήση του λείζερ

- Ο αισθητήρας λείζερ της συσκευής συμμορφώνεται με το πρότυπο IEC60825 για τα προϊόντα λείζερ κατηγορίας 1 και δεν εκπέμπει επικίνδυνη ακτινοβολία.

πάνω στη συσκευή, τόσο όταν είναι στάσιμη όσο και όταν κινείται.

- Φροντίστε τα μαλλιά, τα δάχτυλα και άλλα μέρη του σώματός σας ή τα κατοικίδια να μην έρχονται σε επαφή με το στόμιο αναρρόφησης όταν η σκούπα ρομπότ είναι σε λειτουργία.
- Μη χρησιμοποιείτε τη συσκευή για να σκουπίσετε φλεγόμενα αντικείμενα (όπως γόπα αναμμένου τσιγάρου)
- Μη χρησιμοποιείτε τη συσκευή για να καθαρίσετε χαλιά με ψηλό πέλος (κάποια χαλιά μπορεί να μην καθαριστούν κανονικά).
- Αποφύγετε την αναρρόφηση σκληρών ή αιχμηρών αντικειμένων (όπως απορρίμματα διακοσμητικών υλικών, γυαλί, σιδερένια καρφιά κ.λπ.)
- Μη μεταφέρετε τη σκούπα ρομπότ κρατώντας την από το προστατευτικό κάλυμμα του αισθητήρα μέτρησης της απόστασης με λείζερ και του προφυλακτήρα.
- Για τον καθαρισμό και τη συντήρηση της συσκευής το ρομπότ και η βάση φόρτισης πρέπει να είναι απενεργοποιημένα.
- Μην καθαρίζετε κανένα μέρος της συσκευής με βρεγμένο πανί ή κάποιο υγρό.
- Χρησιμοποιείτε τη συσκευή σύμφωνα με το Εγχειρίδιο χρήσης. Ο χρήστης φέρει την ευθύνη για τυχόν ζημιές και τραυματισμούς που οφείλονται στην εσφαλμένη χρήση της συσκευής.
- Μη χρησιμοποιείτε τη λειτουργία υγρού καθαρισμού για χαλιά και επιφάνειες επίπλων.
- Please be sure to remove the water tank when the robot is being charged

- Βεβαιωθείτε ότι έχετε αφαιρέσει το δοχείο νερού όταν η σκούπα ρομπότ φορτίζει.
- Εάν το καλώδιο τροφοδοσίας υποστεί ζημιά ή καταστραφεί, διακόψτε αμέσως τη χρήση του και αντικαταστήστε το με γνήσιο ανταλλακτικό.
- Βεβαιωθείτε ότι η συσκευή είναι απενεργοποιημένη κατά τη μεταφορά και φροντίστε να την μεταφέρετε στην αρχική συσκευασία της.
- Εάν η σκούπα ρομπότ δεν χρησιμοποιηθεί για μεγάλο χρονικό διάστημα, θα πρέπει να αποθηκευτεί πλήρως φορτισμένη σε δροσερό και ξηρό μέρος. Φορτίζετε τη σκούπα ρομπότ τουλάχιστον κάθε 3 μήνες για να αποφύγετε την πρόκληση βλάβης στις μπαταρίες λόγω υπερβολικής εκφόρτισης.

Το εγχειρίδιο χρήστη της εφαρμογής Smart WiFi βρίσκεται στη διεύθυνση:
<https://tesla.info/wp-content/uploads/pdf/TeslaVCR600Wapp.pdf>



Samo za domaćinstvo.
Prije upotrebe pažljivo pročitajte uputstvo za upotrebu.

Hvala što ste odabrali naš Pametni Robot Usisavač!

To je vrhunski robot za inteligentno planiranje za čišćenje koji kombinira radar visoke preciznosti i razne senzore koji mogu ostvariti suradnju putem navigacijskog algoritma, crtati mapu sobe u realnom vremenu i planirati rutu čišćenja, a sadrži automatsko čišćenje i automatsko punjenje bez ručne intervencije. Ima izuzetno jaku usisnu snagu, kutiju za prašinu velikog kapaciteta, HEPA filter koji se može prati i obavlja učinkoviti način čišćenja.

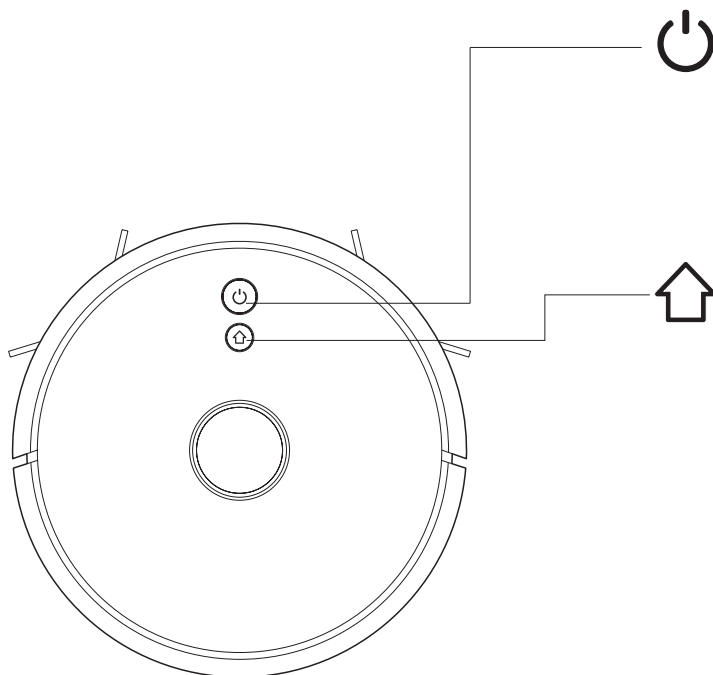
Možete preuzeti mobilnu APP pomoću telefona da biste provjerili mapu čišćenja i radni status robota u aplikaciji u realnom vremenu, definirali područje čišćenja i raspored.

Možete robotom upravljati daljinski. Znanost i tehnologija čine život boljim.

Želimo vam ugodno korisničko iskustvo!

PREDSTAVLJANJE PROIZVODA

Ključne funkcije



Sweep/ON &OFF

- Kratak pritisak da započnete Čišćenje/Pauzu
- Dugačak pritisak 3s za UKLJUČENO/ISKLJUČENO
- Dugo pritisnite 15s za prisilno isključivanje pod izvanrednim okolnostima

Punjenje/ lokalno čišćenje

- Kratko pritisnite Punjenje / Pauziraj
- Dugo pritisnite da biste započeli lokalno čišćenje

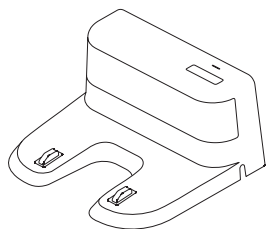
Signalna svjetla

- Plava: normalan rad ili punjenje
- Crvena: Nenormalno stanje ili prazna baterija
- Ljubičasta: Robot nije povezan na mrežu

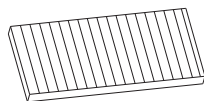
Reset WiFi-ja

- Pritisnite obje tipke istovremeno tijekom 3s

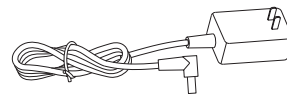
Popis dijelova



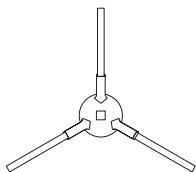
Baza za punjenje x1



HEPA filter+spužva filter x1



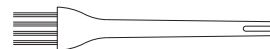
Adapter x1



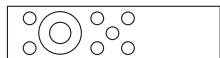
Lijeva bočna četka x2
Desna bočna četka x2



Četka za čišćenje sa nožem x1 (neobavezno)

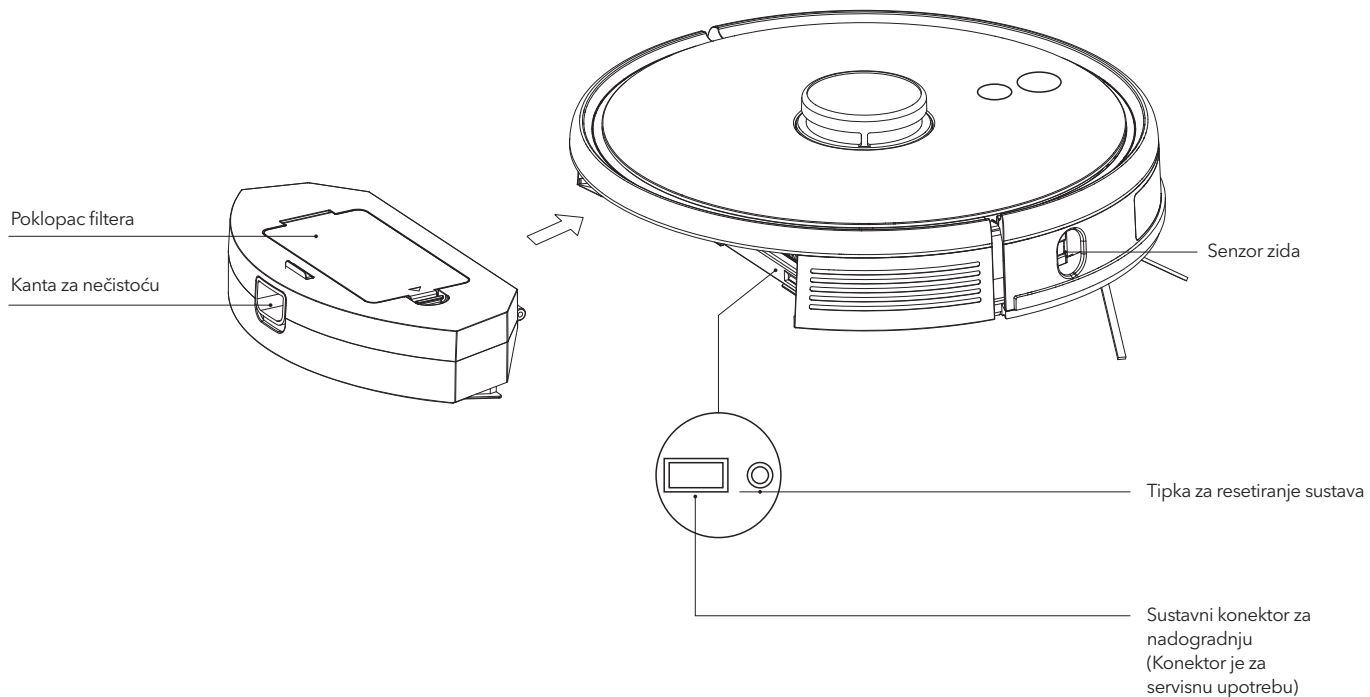


Četka za čišćenje x1 (neobavezno)

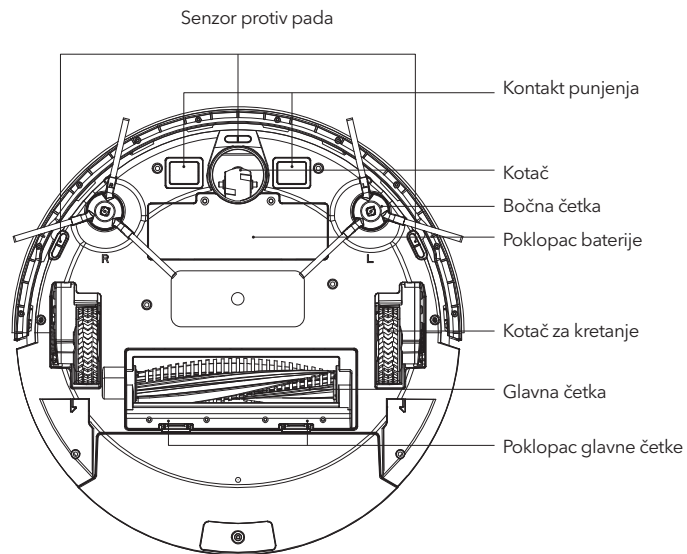
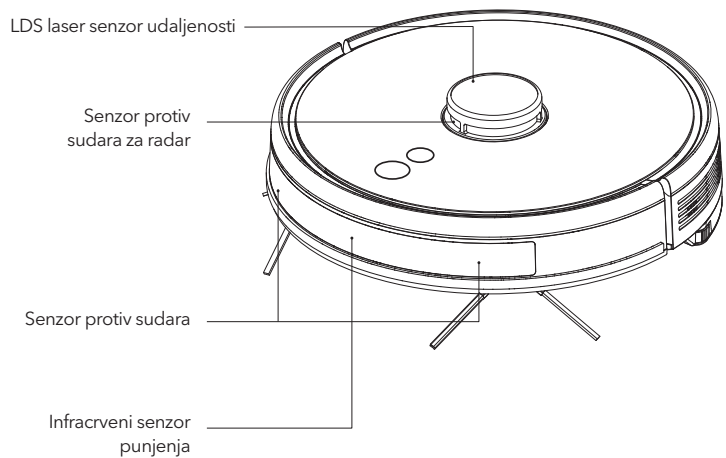


Daljinski upravljač x1
(neobavezno)

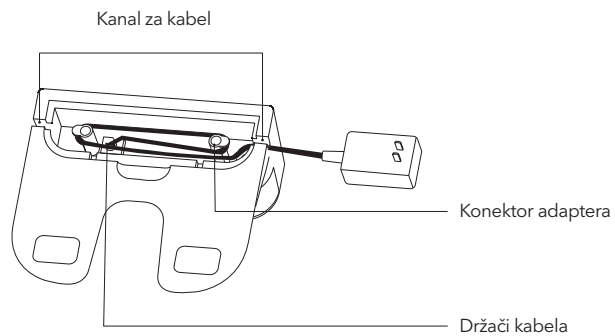
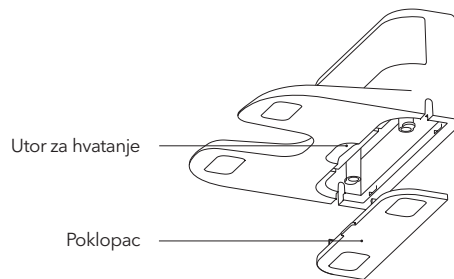
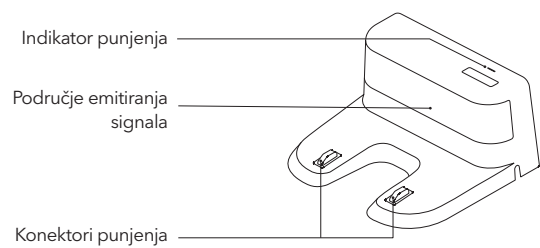
Robot



Senzori i kućište

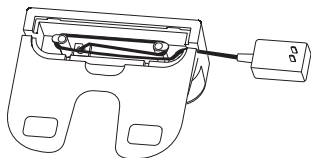


Baza za punjenje

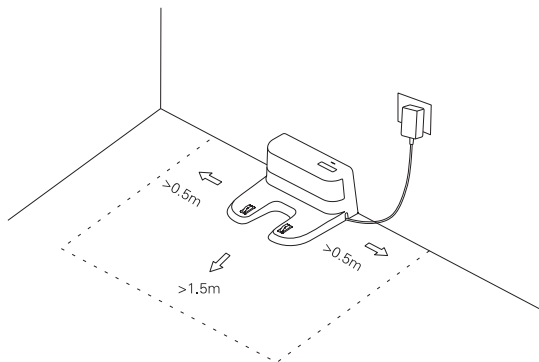


INSTALACIJA

1. Priključite adapter i uvucite višak kabela



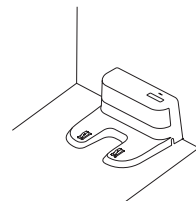
2. Postavite bazu za punjenje uz zid i priključite napajanje



NAPOMENA

- Osigurajte prostor veći od 0,5 m sa obje strane baze za punjenje i prostor od minimum 1,5m u prednjem dijelu
- Ako je kabel položen na zemlju, robot ga može povući i shodno tome baza za punjenje se može isključiti
- Indikator punjenja je aktiviran kada je uključen i isključuje kada se napuni

3. Molimo vas da ne pomičete podnožje za punjenje proizvoljno i držite ga dalje od direktne sunčeve svjetlosti

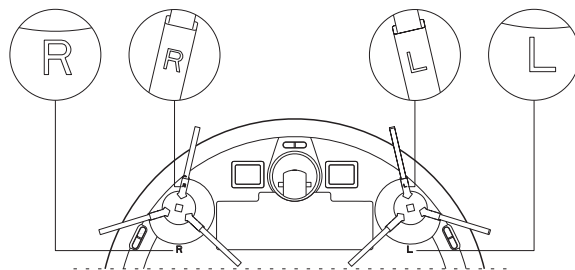


NAPOMENA

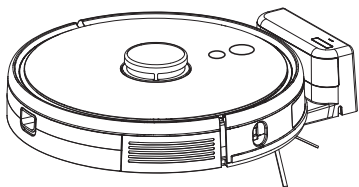
- Ako se baza za punjenje premjesti, robot može pogriješiti u pozicioniranju i izgubiti mapu. Kada se ponovo pokrene, robot će ponovo izgraditi i memorirati mapu, obnovljena mapa može izgubiti informacije o čišćenju zabranjenih područja i drugih područja
- Direktna sunčeva svjetlost ometat će signal za punjenje i posljedično robot se možda neće moći vratiti na bazu za punjenje


4. Postavljanje bočnih četki

Neka lijeva bočna četka (L) i desna bočna četka (R) odgovaraju L i R na donjem kućištu, pritisnite L i R i bočne četke se postave dok ne čujete zvuk „klikljanja“



5. Paljenje i punjenje



Dugo pritisnite  da uključite robot. Punitite robot na bazi za punjenje kada lampica indikatora napajanja normalno gori.


NAPOMENA

Ako se uređaj ne može pokrenuti zbog prazne baterije, napunite robot na bazi za punjenje i robot će se automatski pokrenuti. Robot može normalno raditi samo kada je razina baterije $\geq 20\%$.

6. Povežite mobilnu aplikaciju (ovaj korak se može preskočiti)

Pogledajte uputstva za WiFi vezu, a zatim povežite mobilnu aplikaciju

7. Počnite čišćenje

Nakon što se robot uključi, kratko pritisnite tipku  na robotu ili koristite mobilnu aplikaciju da biste započeli čišćenje (pritisnite bilo koju tipku da biste napravili pauzu tijekom upotrebe)

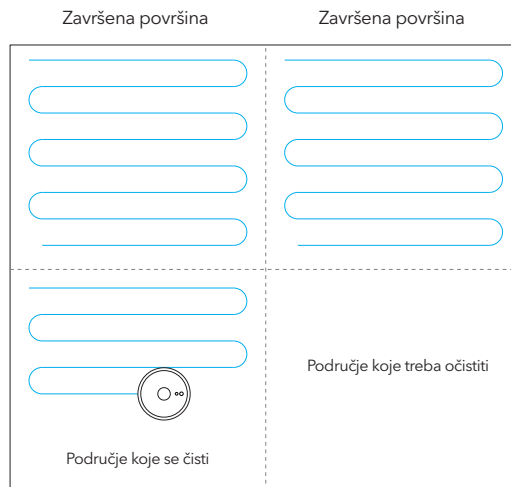
NAPOMENA

- Robot za čišćenje ne može se koristiti za uklanjanje tekućine
- Ako je razina napunjenosti baterije manja od 20%, robot ne može raditi. Molimo, napunite ga.
- Robot će se automatski vratiti na bazu za punjenje ako je razina baterije napunjena manje od 20% u upotrebi i bit će isključen i započet će čišćenje automatski nakon što razina baterije dostigne 80%
- Molimo očistite razne kablove (uključujući i adapter od baze za punjenje) prije
- upotrebe, da bi se izbjegli prekidi i oštećenja predmeta ili kablova kada robot vuče kablove

UPUTSTVO

Način čišćenja

Nakon što se robot uključi, skenirat će i generirati mapu i inteligentno je podijeliti na područja. Zatim će uredno, učinkovito i temeljito preći područja po zidu i planirati put čišćenja u obliku luka / S. Robot će se automatski vratiti na bazu za punjenje nakon čišćenja.




NAPOMENA

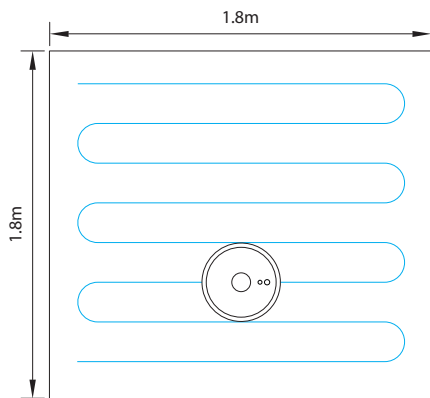
Ne pomičite robota nemarno i često dok čisti. Nakon premještanja, stavite robota blizu prvobitnog položaja. Kada se ponovo pokrene, pokušat će se repositionirati. Nakon uspješnog pozicioniranja, slijedio bi planirani put i nastavio raditi. Ako pozicioniranje ne uspije, robot će prekinuti prethodnu misiju, napraviti mapu i ponovo izvršiti čišćenje. Čak i možda neće pronaći bazu za punjenje.

Spot čišćenje

Kada lokalnom području treba dubinsko čišćenje, korisnik na APP-u odredi točku na mapi, uređaj će se automatski odvesti do blizine točke, uzeti točku kao centar i očistiti unutar 1,5 m x 1,5 m.

Parcijalno čišćenje

Kada robot ne može kontrolirati mobilna aplikacija, stavite robota na mjesto koje želite očistiti. Dugo pritisnite tipku  3 sekunde i robot će očistiti dva puta u opsegu od 1,8m x 1,8m centrirajući se na sebe.



Korisničko definirano područje za čišćenje

Pomoću mobilne aplikacije postavite veličinu i lokaciju površine koju želite očistiti. Možete postaviti jedno ili više područja. Robot bi očistio prema području koje ste postavili.

Zabranjena zona

Podesite jedno ili više zabranjenih područja pomoću mobilne aplikacije. Robot neće čistiti zabranjena područja već druga područja.



NAPOMENA

- Robot može upasti u zabranjeno područje zbog grešaka u pozicioniranju, abnormalnosti senzora i drugih razloga.
- Stalna zabranjena zona može postati nevaljana zbog velike promjene položaja baze za punjenje i namještaja. Stoga, molim vas pokušajte da se ne pomiče ili ometa robot tijekom čišćenja.
- Stalno zabranjeno područje bi se izgubilo kada se mapa ponovo izgradi

Čišćenje po rasporedu

Čišćenje po rasporedu može postaviti mobilna aplikacija. Robot će automatski započeti čišćenje u zakazano vrijeme i vratiti se na bazu za punjenje nakon čišćenja.

WiFi reset

Ako se mobilni telefon ne može povezati sa uređajem zbog promjene konfiguracije rutera i lozinke ili iz drugih razloga, pritisnite tipku  i tipku  istovremeno u trajanju od 3s dok se ne dobije glasovni upit „WiFi je resetiran i indikatorska lampica postane ljubičasta i polako treperi.“



DND način rada (ne uznemiravaj)

Robot neće ni čistiti pod ni automatski izdati glas u načinu DND. Dostupno vrijeme DND načina rada može se pokrenuti ili izmijeniti pomoću mobilne aplikacije.

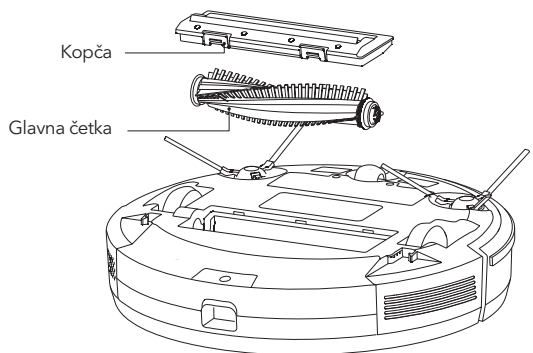
Podešavanje usisne snage

Usisnu snagu možete podesiti na tihu razinu, standardnu razinu i visoku razinu.

REDOVNO ODRŽAVANJE

Glavna četka (redovno je čistite)

1. Okrenite robota i pritisnite kopču na poklopcu četke za čišćenje da biste izvadili četku za čišćenje
2. Uklonite prašinu izvana i unutar četke za čišćenje pomoću male četke i očistite četku za čišćenje
3. Vratite četku za čišćenje i čvrsto pritisnite poklopac četke za čišćenje da biste fiksirali kopču

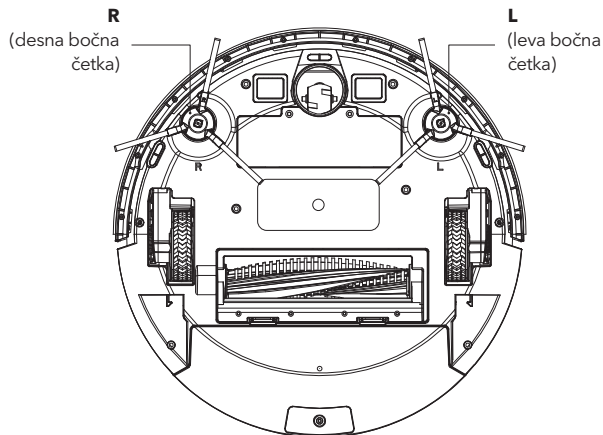


Bočna četka (redovno je čistite)

1. Preokrenite robota i izvucite bočnu četku prema gore
2. Uklonite kosu i prljavštinu i ponovo sastavite bočnu četku
3. Neka lijeva bočna četka (L) i desna bočna četka (R) odgovaraju L i R na donjem kućištu, pritisnite L i R da biste ih ponovo postavili

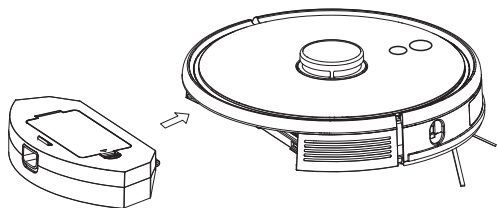
NAPOMENA

Zamijenite bočne četke svaka 3-6 mjeseca kako biste osigurali učinkovitost čišćenja

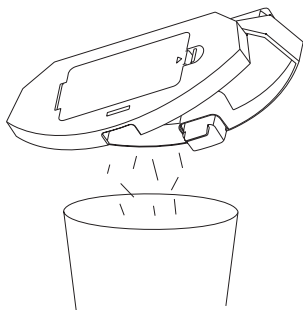


Kutija za prašinu (redovno ju čistite)

1. Pritisnite tipku i izvucite kutiju unatrag

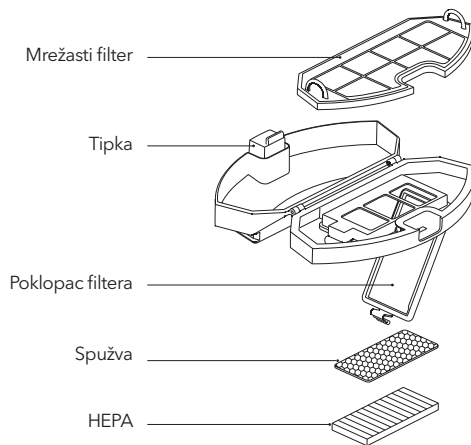


2. Otvorite i očistite kutiju za prašinu



Čišćenje filtera (redovno ga čistite)

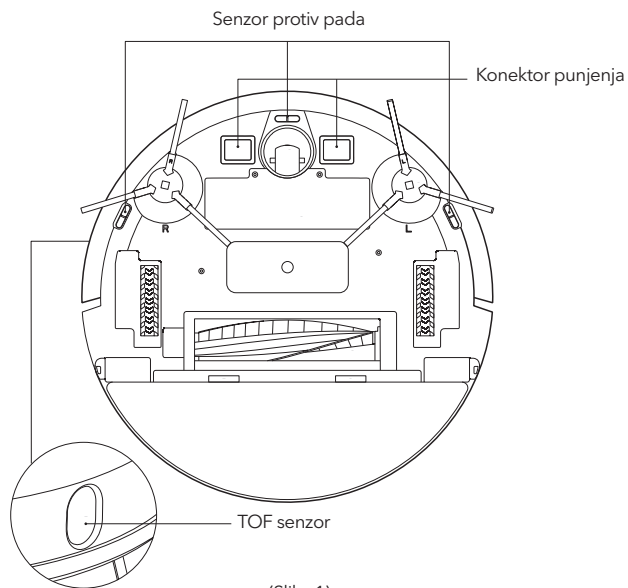
1. Nakon duže upotrebe, uklonite filtar, spužvu i HEPA
2. Očišćenu uklonjenu filtarsku gazu, sunder i HEPA pod vodom
3. Otrсите kapljice vode i osušite ih prirodno, a zatim upotrebite nakon potpunog sušenja
4. Nakon što se osuši, sklopite ga redom, mrežasti filter- spužva -HEPA



Senzor (redovno ga čistite)

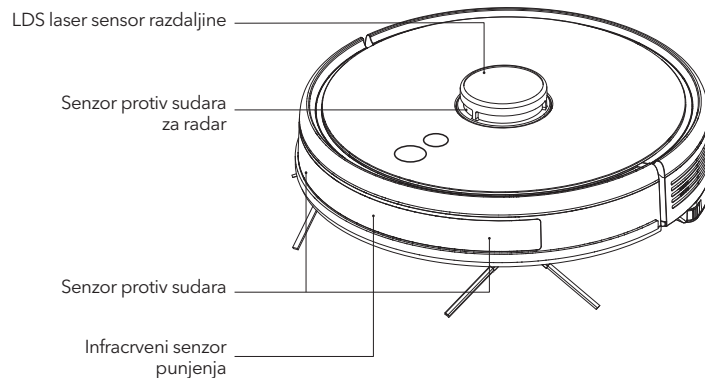
Očistite senzore mekanom krpom, što uključuje:

1. Očistite senzore duž zida s desne strane
2. Tri senzora protiv pada na dnu
3. Infracrveni senzor za izbjegavanje na prednjoj strani
4. Senzor za izbjegavanje radara na vrhu
5. Zaštita od električnog udara i osnovni kontakt za punjenje na dnu robota (isključite struju tijekom čišćenja)
6. Područje prijenosa signala baze za punjenje

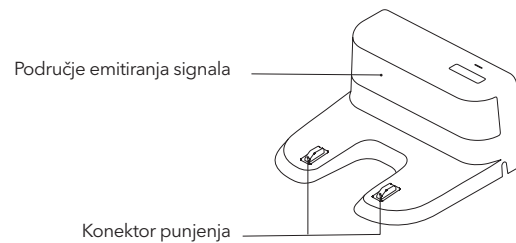


(Slika 1)

Senzor (mjesečno čišćenje)



(Slika 2)



(Slika 3)

Baterija

- Robot je opremljen litij-ionskim baterijama visokih performansi. Da biste održali performanse baterije, održavajte robota napunjenim u svakodnevnoj upotrebi
- Ako robot ostane dugo nekorisćen, isključite ga i pravilno držite. Punite ga najmanje svaka 3 mjeseca kako biste izbjegli oštećivanje baterija zbog prekomjernog pražnjenja

Nadogradnja firmvera

Nadogradite firmver pomoću mobilne aplikacije. Ako se otkrije novi firmver, nadogradite ga prema uputstvu. Razina napunjenosti baterije bi trebala biti $\geq 50\%$ tijekom nadogradnje firmvera, tako da robot treba postaviti na bazu za punjenje.

Reset sustava

Skinite kutiju za prašinu, otvorite gumeni čep i pritisnite reset tipku (pogledajte stranicu 4). Trenutna mapa će se izgubiti i vrijeme, WiFi i personalizirana podešavanja će se pratiti nakon resetiranja.

UOBIČAJENI PROBLEMI

Problem	Rješenje
Robot se ne može pokrenuti	<ul style="list-style-type: none"> • U slučaju niske razine baterije, postavite robota na bazu za punjenje i poravnajte ga na ploči elektrode, robot će se automatski pokrenuti (ako je robot potpuno isključen, može se automatski pokrenuti nakon naplaćeno neko vrijeme) • Ako je temperatura okoline niža od 0°C ili viša od 50°C, koristite je na temperaturi od 0-40°C
Robot se ne može puniti	<ul style="list-style-type: none"> • Odmaknite robota, provjerite svijetli li svjetlo indikatora baze za punjenje i potvrdite oba kraja adaptera za napajanje baze za punjenje su dobro spojeni • U slučaju lošeg kontakta, očistite šrapnel baze za punjenje i kontakt za punjenje na robotu ili pritisnite bočnu četku na stranu
Robot se ne može napuniti	Robot je predaleko od baze za punjenje, stavite robota blizu baze za punjenje i pokušajte još jednom
Abnormalno ponašanje	Isključite i ponovno pokrenite robota
Nenormalna buka u upotrebi	Glavnu četku, bočnu četku ili kotač mogu dobiti strane tvari, molimo isključite robota, uklonite glavnu četku i uklonite strane tvari
Sposobnost čišćenja opada ili prašina ispada	<ul style="list-style-type: none"> • Kutija za prašinu je puna, očistite je • Zaslon filtra je blokiran, očistite ga ili zamijenite • Glavna četka je upletena stranim tvarima, uklonite glavnu četku i uklonite strane tvari
WiFi se ne može povezati	<ul style="list-style-type: none"> • WiFi signal je loš, provjerite je li pokriven WiFi signalom • WiFi je povezan nenormalno, resetirajte WiFi, preuzmite najnoviju APP i pokušajte je ponovno spojiti • Lozinka je pogrešno unesena • Usmjerivač je dostupan za 5G frekvencijski pojas, robot za čišćenje dostupan je samo za 2,4G frekvencijski pojas
Čišćenje sa fiksnim vremenom nije uspjelo	U slučaju niske razine baterije, čišćenje na određeno vrijeme može se započeti samo kada razina baterije nije manja od 30%
Da li robot troši energiju ako je uvijek postavljen na bazu za punjenje	Robot troši malo energije ako je uvijek postavljen na podlogu za punjenje i omogućuje najbolju izvedbu baterije
Da li robot treba da se puni 16h prva tri puta	Litijska baterija može se koristiti odmah nakon punjenja i nema efekt memorije

RJEŠAVANJE PROBLEMA

Zvučni signal	Rješenje
Pogreška 1: Ne mogu pronaći sakupljač prašine	Čišćenje se pokreće kada izvadite kutiju za prašinu
Pogreška 2: Provjerite je li radar na vrhu prekriven ili blokiran	Gornji radar je pokriven ili postavljen na otvorenom prostoru (nema prepreka unutar područja od 6×6m ²)
Pogreška 3: smjestite me na novo mjesto i pokušajte ponovo	Podignite robota ili ga premjestite na drugo mjesto
Pogreška 4: Očistite senzor litice i ponovno me pokrenite s novog mjesta	Senzor litice je pokriven ili postavljen na visini
Pogreška 5: Očistite prednji senzor i ponovno me pokrenite s novog mjesta	Infracrveni senzor izbjegavanja je prljav ili prekriven
Pogreška 6: Očistite desni senzor i ponovno me pokrenite s novog mjesta	Zidni senzor je prljav ili prekriven
Pogreška 7: Očistite kućište radara na vrhu i ponovno me pokrenite s novog mjesta	Senzor za izbjegavanje radara je prljav ili prekriven
Pogreška 8: Provjerite je li branik na neki način blokiran	Senzor ruba ili sudara je zaglavio
Pogreška 9: Očistite spremnik za prašinu i filter	Kutija za prašinu je puna ili je potrebno zamijeniti filter
Pogreška 10: Spremnik za prašinu je uklonjen, molimo očistite spremnik i filter	Nakon što se izda pogreška 9, korisnik vadi kanalnu komoru i aktivira se greška 10
Pogreška 11: Zapeo sam	Robot je zapeo
Pogreška 12: Postavite me ispravno!	Robot je nagnut
Pogreška 13: Provjerite jesu li moji kotači negdje blokirani	Pogonski kotač je zaglavio ili upleten, uklonite strane stvari
Pogreška 14: Provjerite je li glavna četka zaglavila	Glavna četka je upletena ili zaglavljena, uklonite je i uklonite strane stvari
Pogreška 15: Provjerite jesu li bočne četke zapele	Bočna četka je upletena ili zaglavljena, uklonite je i uklonite strane stvari
Pogreška 16: Gdje je priključna stanica	Baza za punjenje nije pronađena ili nije priključena
Pogreška 17: Programska pogreška, ponovno me pokrenite	Abnormalnosti su uzrokovane nepoznatim kvarom, ponovno pokrenite robota
Pogreška 18: Došlo je do pogreške pri pokretanju isključivanja	Robot podsjeća korisnika i automatski se gasi ili se puni
Pogreška 19: prazna baterija, napunite	Kada je razina baterije preniska i robot nije na bazi za punjenje, pokreće se čišćenje (razina baterije je niža od 10%)
Pogreška 20: Uklonite sa stanice za punjenje da biste isključili napajanje	Robot se gasi kada se napuni na bazi za punjenje

SADRŽAJ I NAZIV OPASNIH TVARI

Opasne tvari	Naziv dijela					
	Plastično kućište	Štampana ploča	Naponska linija	Baterija	Metalni dijelovi	Adapter
Olovo (Pb)						
Živa (Hg)	○	○	○	○	○	○
Cadmium (Cd)	○	○	○	○	○	○
Krom VI (Cr (VI))	○	○	○	○	○	○
Polibromovani bifenili (PBB)	○	○	○	○	○	○
Polibromovani difenil eteri (PBDE)	○	○	○	○	○	○

○ : znači da je sadržaj opasnih i štetnih tvari u komponenti manji od ograničenja predviđenog SJ / T11363-2006

✘ : znači da sadržaj opasnih i štetnih tvari u najmanje toj komponenti prelazi ograničenje predviđeno SJ / T11363-2006



☰ NAPOMENA

Sadržaj olova u nekoliko ljepljivih elektronskih komponenata za posebnu upotrebu (kao što su visokonaponski otpornik, keramički otpornik i dioda, itd.) U tabeli „X” može biti veći od 0,1%. Sadržaj olova u leguri visokih performansi sadržanoj u USB kablu također može biti veći od 0,1%. Takve komponente su u skladu sa klauzulama o izuzeću EU ROHS. Za tehnologije i komponente koje se ne mogu zamjeniti zbog ograničenja nivoa tehnološkog razvoja, sadržaj olova u spoljnim kontaktnim elementima je u skladu sa zahtjevima zaštite životne sredine.

SIGURNOSNE INFORMACIJE

Ograničenja u upotrebi

- Proizvod se koristi za čišćenje poda samo u kućnom okruženju i ne može se koristiti za vanjski prostor (poput otvorene terase), namještaja (poput sofe) i komercijalno ili industrijsko okruženje
- Molimo vas da proizvod ne koristite u sredinama bez zaštitne ograde (kao što su potkrovlje, otvorena terasa i namještaj)
- Nemojte koristiti proizvod na temperaturi iznad 40°C ili ispod 0°C ili kada na podu ima tekućine i ljepljivih tvari
- Prikačite kablove na pod prije upotrebe kako biste izbjegli da ih robot vuče
- Očistite krhke predmete i nečistoće (poput vaze, plastične vreće itd.) na podu kako biste izbjegli oštećenje dragocjenosti kada je robot zaglavljn.
- Ljudima sa fizičkim, duhovnim ili perceptivnim poremećajima (uključujući djecu) nije dozvoljeno koristiti robota ili da njime upravljaju
- Djeca ne mogu koristiti proizvod kao igračku. Molimo vas da djecu i kućne ljubimce držite dalje kada robot radi
- Držite glavnu četku i druge alate za čišćenje izvan dosega djece
- Ne stavljajte predmete (uključujući djecu i kućne ljubimce) na robota u stanju mirovanja ili kretanja
- Držite kosu, prste i druge dijelove ljudskog tijela ili kućnih ljubimaca dalje od usisnog otvora dok robot radi
- Nemojte koristiti proizvod za čišćenje zapaljenih predmeta (kao što je zapaljeni kraj cigarete)
- Nemojte koristiti robota za čišćenje dugodlakog tepiha (neki tamni tepisi možda se neće normalno čistiti)
- Spriječite robota da usisava tvrde ili oštre predmete (kao što su otpadni ukrasni materijali, staklo i željezni čavao itd.)
- Molimo vas da ne pomičete robota držeći zaštitni poklopac laserskog senzora daljine i odbojnika
- Očistite ili održavajte robota i bazu za punjenje u stanju isključenja
- Nemojte brisati bilo koji dio proizvoda vlažnom krpom ili bilo kojom tekućinom
- Molimo koristite proizvod prema uputstvu za upotrebu. Korisnik treba biti odgovoran za bilo kakvu štetu i povrede nastale nepravilnom upotrebom

Baterija i punjenje

- Molimo vas da ne koristite bateriju, bazu za punjenje ili punjač treće strane
- Nemojte samovoljno demontirati, praviti ili popravljati bateriju ili bazu za punjenje
- Držite podnožje za punjenje dalje od izvora topline (kao što je grijuća ploča)
- Nemojte brisati ili čistiti kontakte baze za punjenje mokrom krpom ili mokrom rukom
- Molimo vas da ne ostavljate bateriju proizvoljno. Iskorištene baterije treba zbrinuti u profesionalnoj agenciji za reciklažu
- Ako je električni vod oštećen ili slomljen, odmah ga isključite i zamijenite u servisu
- Uvjerite se da se robot isključuje tokom transporta, proizvod treba da se transportuje u originalnoj ambalaži
- Ako robot ostane dugo nekorišten, treba ga potpuno napuniti i staviti na hladno i suho mesto. Punite robota najmanje svaka 3 mjeseca kako biste izbjegli oštećenje baterija uslijed prekomjernog pražnjenja

Informacije o laserskoj sigurnosti

- Laserski senzor udaljenosti proizvoda u skladu je sa standardom za laserske proizvode klase 1 IEC60825 i ne proizvodi opasno lasersko zračenje

Korisnički priručnik za pametnu WiFi aplikaciju možete pronaći
<https://tesla.info/wp-content/uploads/pdf/TeslaVCR600Wapp.pdf>



Csak háztartási használatra.
Használat előtt figyelmesen olvassa el ezt a használati útmutatót.

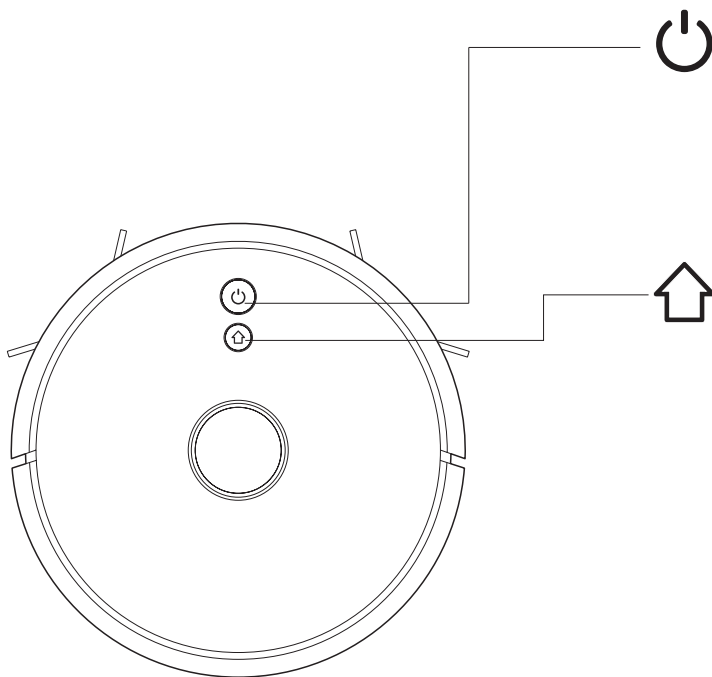
Köszönjük, hogy a TESLA intelligens robotporszívót választotta!

Ez egy csúcskategóriás, intelligensen tervező takarító robotporszívó, amely egyszerre használ nagy pontosságú radart és számos egyéb különböző érzékelőt. Képes a navigációs algoritmuson keresztül, valós időben egy szobatérképet rajzolni és önállóan megtervezni a tisztítási útvonalat, valamint automatikus töltésfunkcióval is rendelkezik, melyet kézi beavatkozás nélkül, önállóan elvégez. Ultraerős szívóteljesítménnyel, nagy kapacitású (fiók típusú) portatállyal, mosható HEPA filter szűrővel és osztott típusú felmosó modulal rendelkezik. Rendkívül hatékony takarítási módot alkalmaz, amely először tisztít, majd felmos.

Töltse le a mobilalkalmazást okostelefonjára, hogy valós időben ellenőrizhesse a térképet és a robotporszívó állapotát, beállíthassa a tisztítási területet és az ütemezést. A robotporszívót távolról is vezérelheti. A tudomány és a technológia könnyebbé teszi az életünket.

A KÉSZÜLÉK BEMUTATÁSA

Fő funkció



Tisztítás BE & KI

- Nyomja meg röviden az indításhoz.
- Tartsa nyomva 3 másodpercig a be-/kikapcsoláshoz.
- Tartsa nyomva 15 másodpercig a kényszerleállításához.

Feltöltés/tisztítás

- - Nyomja meg röviden (akkumulátor újratöltés/szünet)
- - Nyomja meg hosszan a tisztítás indításához

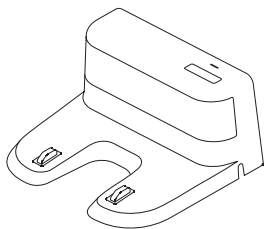
Jelzőfény

- Kék: Normál működés vagy töltés
- Piros: Rendellenes állapot vagy alacsony akkumulátor töltöttség
- Lila: A berendezés nincs csatlakoztatva a hálózathoz

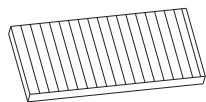
WiFi visszaállítása

- Nyomja meg a két gombot egyidejűleg 3 másodpercig

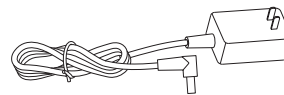
Alkatrészek listája



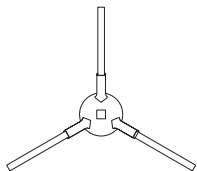
Töltőalap x1



HEPA szűrő + szivacs szűrő x1



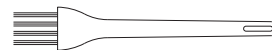
Töltőadapter x1



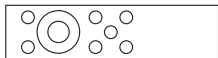
Left side brush x2
Right side brush x2



Tisztítókefe, késsel x1 (opcionális)

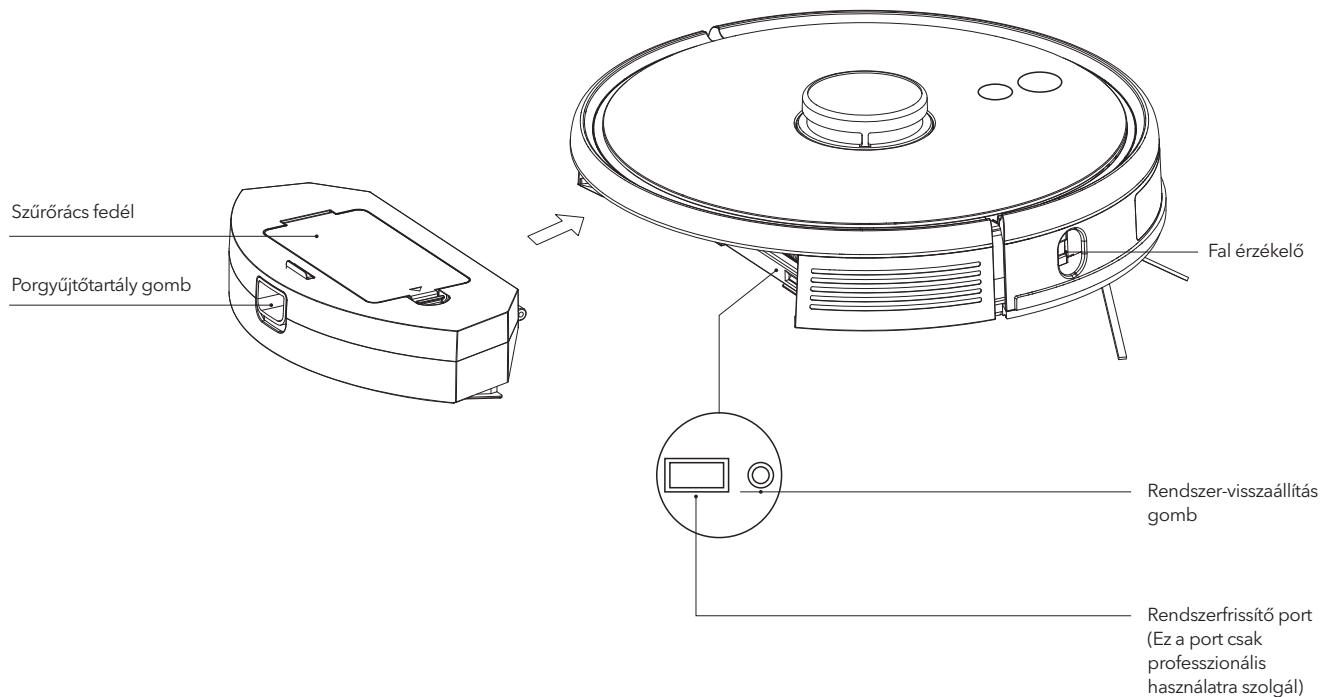


Tisztítókefe x1 (opcionális)

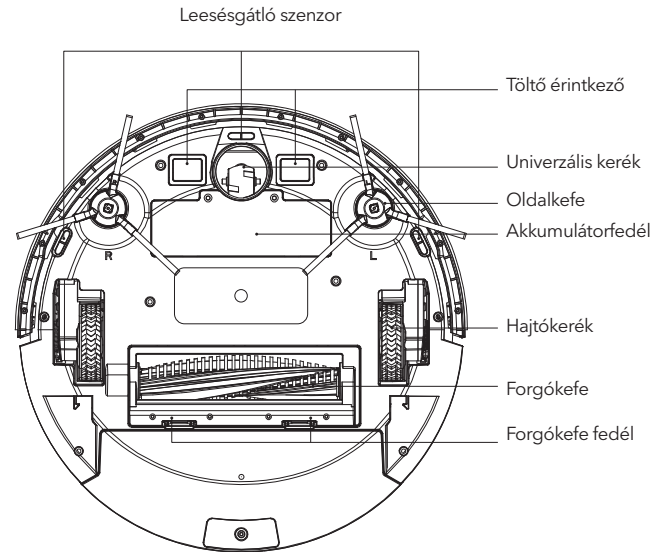
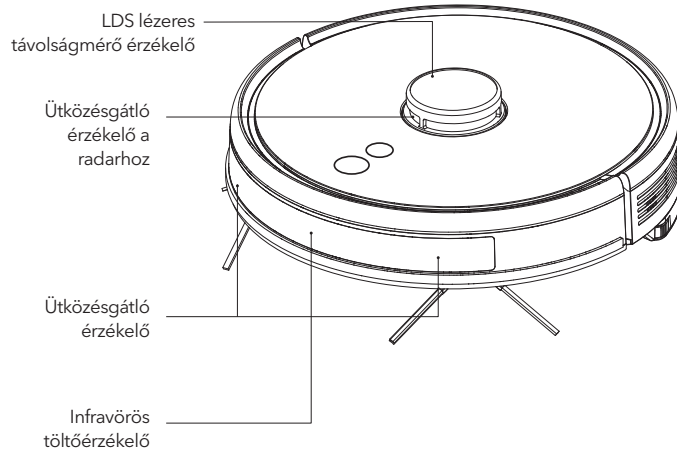


Távírányító x1
(opcionális)

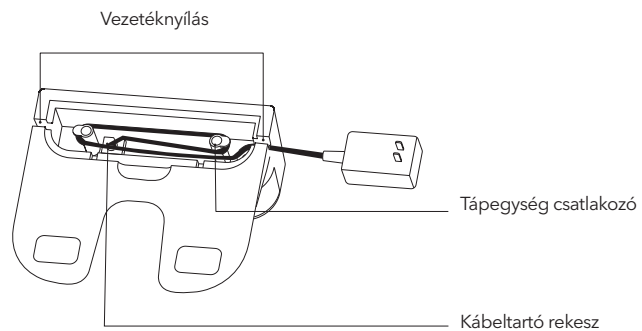
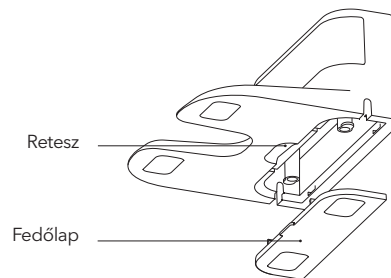
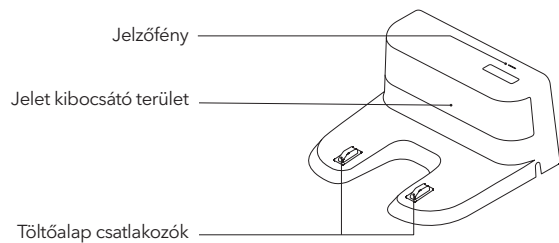
A készülék



Érzékelők és felépítés

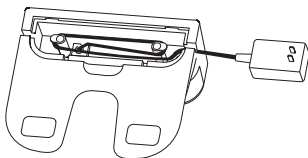


Töltőbázis

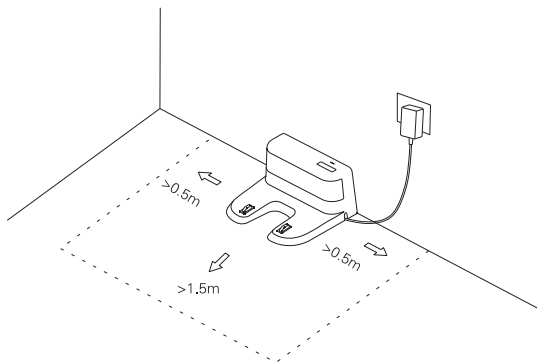


BEÉPÍTÉS

1. Csatlakoztassa a tápvezetéket, majd a felesleges vezetéket vezesse be a rekeszbe.



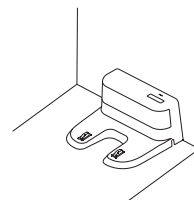
2. Helyezze a töltőállványt a falhoz, és csatlakoztassa a tápegységet.



MEGJEGYZÉS

- Biztosítson legalább 50 centiméternyi szabad helyet a töltőállvány mindkét oldalán, valamint legalább 150 cm szabad helyet elöl is.
Ha a tápkábel függőlegesen lóg a töltőre, a robotporszívó véletlenül magával ránthatja, aminek következtében a töltőbázis kikapcsolódhat.
- A töltésjelző bekapcsolt állapotban világít, töltéskor pedig kikapcsol.

3. Kérjük, ne mozgassa a töltőbázist véletlenül össze-vissza, és tartsa távol a közvetlen napfénytől.

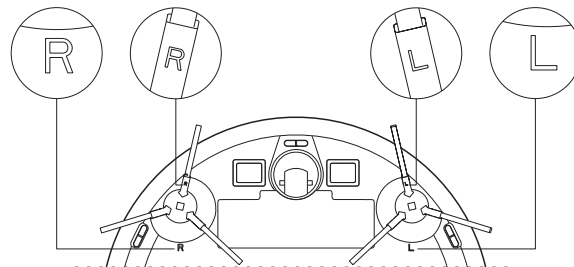


MEGJEGYZÉS

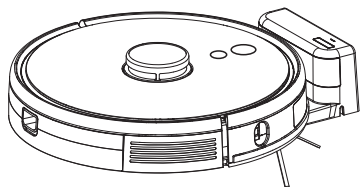
- Ha a töltőbázist áthelyezik, az a készülék navigációs rendszerében zavart okoz és elveszítheti a térképet. Újraindításkor a robotporszívó újratervezi és megjegyezi a térképet. Az újraépített térkép során törölődnek a korábban beállított tiltott és egyéb területek.
- A közvetlen napfény zavarja az töltésjelet, és ennek következtében előfordulhat, hogy a készülék nem tud visszatérni a töltőbázishoz.

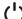
4. Oldalsó kefe felszerelése

A bal oldali kefe (L) és a jobb oldali kefe (R) az alsó burkolaton megjelölt módon L és Rhez csatlakozik, pattintsa fel a helyükre.



5. Beindítás és töltés



Hosszan nyomja meg a  gombot a robotporszívó bekapcsolásához. Töltse fel a készüléket a töltőalapon.

MEGJEGYZÉS

Ha a robotporszívót nem lehet elindítani az akkumulátor alacsony töltöttsége miatt, kérjük, töltsen fel azt a töltőbázison. A készülék csak akkor tud megfelelően működni, ha az akkumulátor töltöttségi szintje $\geq 20\%$.

6. Párosítsa össze a mobilalkalmazással (ez a lépés kihagyható)

Kérjük, olvassa el a WiFi csatlakozási útmutatót, majd csatlakozzon a mobil alkalmazással.

7. A takarítás megkezdése

A robotporszívó bekapcsolása után nyomja meg röviden a gombot a készüléken, vagy használja a mobil alkalmazást a tisztítás megkezdéséhez (bármelyik gomb megnyomásával szüneteltetheti a használatot).

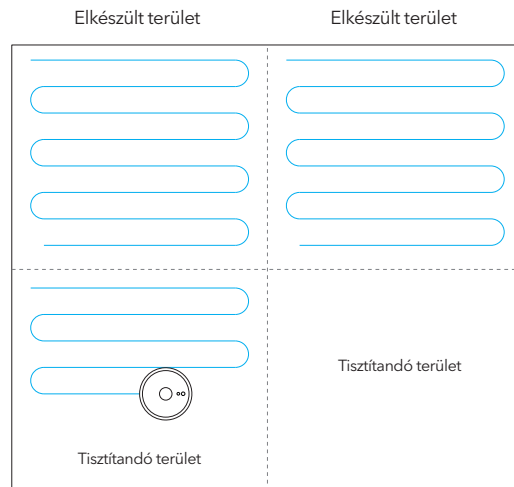
MEGJEGYZÉS

- A söprés nem használható folyadékok eltávolítására.
- Ha az akkumulátor töltöttségi szintje 20%-nál kevesebb, a robotporszívó biztonsági okokból nem indul el. Kérjük, töltsen fel.
- A robotporszívó automatikusan visszatér a töltőbázisra, ha az akkumulátor szintje használat közben 20%-nál kevesebb és magától kikapcsol. Amint az akkumulátor szintje eléri a 80%-ot a készülék újból bekapcsol és folytatja a takarítást.
- Kérjük, használat előtt távolítson el minden akadályt az útból (beleértve a töltőbázis tápvezetékét is), hogy elkerülje a tárgyak vagy vezetékek sérülését.

ÚTMUTATÓ

Tisztítási mód

A robotporszívó a bekapcsolás után végigpásztázza a terepet és létrehozza a térképet, majd intelligens módon területekre osztja azt. Ezután ezeket a területeket egyenként, rendezetten, hatékonyan és alaposan végigsöpri a fal mentén, és S alakban megtervezi a tisztítási útvonalat. A robotporszívó a tisztítás után automatikusan visszatér a töltőbázisra.




MEGJEGYZÉS

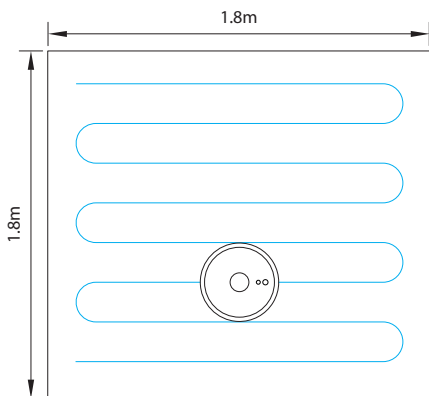
Tisztítás közben ne mozgassa a robotporszívót. Ha mégis megmozdította, tegye a robotot az eredeti helyére. Amikor újra elindul, a készülék megpróbálja újra pozícionálni magát. Sikeres művelet esetén követi a tervezett pályát és folytatja a munkát. Ha a pozícionálás sikertelen, a robot megszakítja az előző folyamatot, új térképet készít, és újra elkezdja a takarítást. Bizonyos esetekben az is előfordulhat, hogy nem találja a töltőbázist.

Helyi tisztítás

Ha csak egy kis terület felsőprésére van szüksége, olyankor megadhat egy pontot az alkalmazáson belül a térképen, amit a robot automatikusan egy középpontként kezel és megkezdi a pont körül egy 1,5 m x 1,5 m-es terület megtisztítását.

Részleges tisztítás

Ha a készüléket nem lehet az alkalmazás segítségével vezérelni, akkor vigye el a robotporszívót a tisztítani kívánt helyre. Nyomja hosszan a  gombot (3 másodpercig), és a porszívó egy 1,8m x 1,8m-es területen feltakarít.



Felhasználó által meghatározott terület tisztítása

A mobil alkalmazás segítségével állítsa be a tisztítani kívánt terület méretét és helyét. Egy vagy több területet is beállíthat. A robotporszívó a beállított területek szerint hajtja végre a feladatot.

Korlátozott területek

Állítson be egy vagy akár több tiltott területet a mobil alkalmazás segítségével. A robotporszívó a tiltott területeket nem fogja átfésülni.



MEGJEGYZÉS

- A robotporszívó behajthat a korlátozott területre pozicionálási hibák, hibás érzékelők és egyéb okok miatt.
- Az töltőpad, bútorok áthelyezése miatt a tiltott területek felülíródhatnak. Állítsa be minden alkalommal a területeket, ha átrendezi a helységet.
- A térkép újratervésésénél a beállított területek törlődnek.

Tisztítás ütemezése

A tisztítás ütemezése mobil alkalmazás segítségével állítható be. A robotporszívó automatikusan elkezdi a tisztítást a kijelölt időpontban, és a folyamat végeztével visszatér a töltőállomásra.

WiFi alaphelyzetbe állítása

Ha nem tud csatlakozni a robotporszívóhoz a router konfigurációjának, jelszavának módosítása vagy más okok miatt, kérjük, tartsa nyomja a  billentyűt és a  billentyűt 3 másodpercen át, amíg a "WiFi has been reset" hangjelzés el nem hangzik. Ezt követően egy hangjelzést kap, és a jelzőfény lilára vált és lassan villog.



DND mód (ne zavarjanak üzemmód)

DND üzemmódban a robotporszívó nem söpri a padlót, és nem ad ki hangjelzéseket. A DND üzemmód a mobil alkalmazással indítható vagy módosítható.

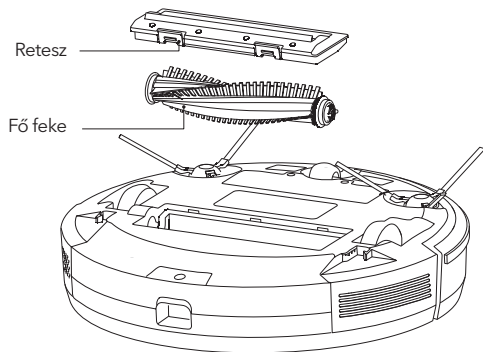
A szívóteljesítmény beállítása

A mobil alkalmazással beállíthatja a szívóteljesítményt csendes, normál és magas szintre.

NAPI KARBANTARTÁS

Forgókefe (rendszeresen tisztítsa meg)

1. Fordítsa meg a robotporszívót, és a forgókefe fedelén lévő reteszt megnyomva vegye ki a kefét.
2. Távolítsa el a port a kefe külső és belső oldaláról, és tisztítsa meg.
3. Szerelje vissza a kefét, nyomja be a fedelet szorosan.

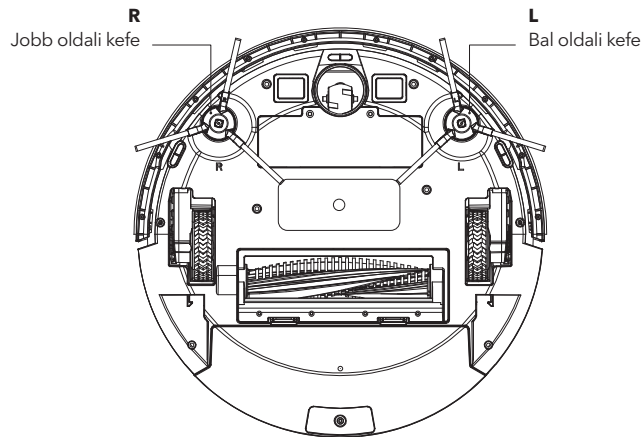


Oldalsó kefe (rendszeresen tisztítsa meg)

1. Fordítsa meg a robotporszívót, és húzza ki az oldalsó keféket felfelé.
2. Távolítsa el a szőrszálakat és a szennyeződéseket, majd szerelje vissza.
3. A bal oldali oldalsó kefe (L) és a jobb oldalsó kefe (R), ügyeljen a visszaszereléskor.

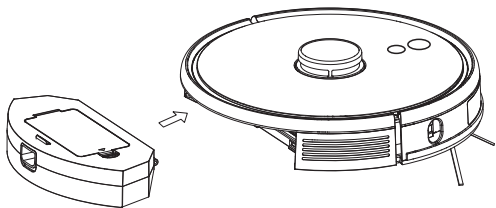
MEGJEGYZÉS

Az oldalsó keféket 3-6 havonta cserélje le.

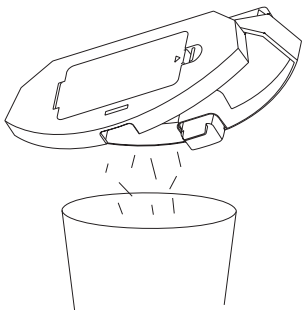


Porgyűjtő doboz és szűrő (rendszeresen tisztítsa)

1. Nyomja meg a gombot, és húzza ki a gyűjtődobozt hátrafelé.

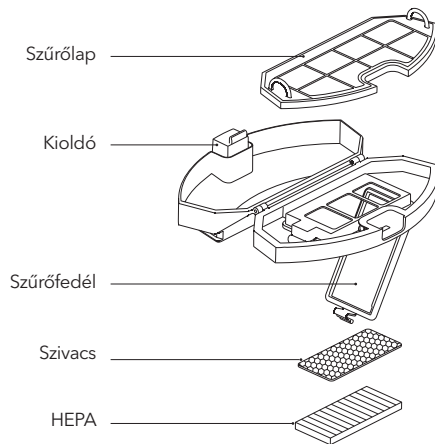


2. Nyissa ki és tisztítsa meg.



Szűrő tisztítása (rendszeresen tisztítsa meg)

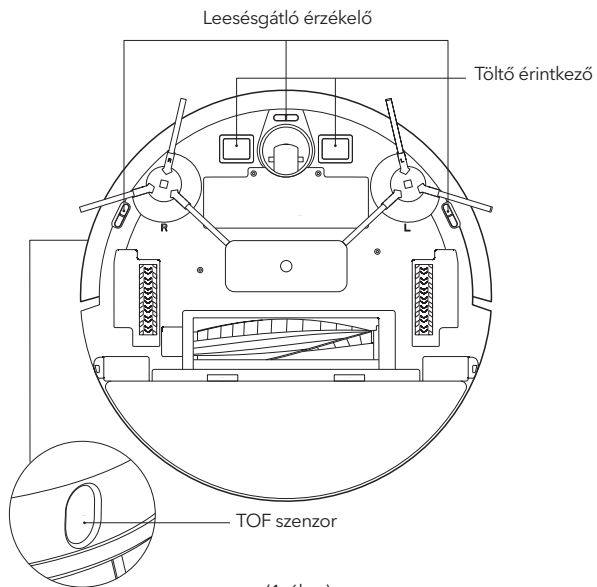
1. Hosszú használat után távolítsa el a szűrőlapot, a szivacsot és a HEPA-t.
2. Tisztítsa meg az eltávolított szűrőlapot, a szivacsot és a HEPA szűrőt víz alatt.
3. Rázza le a vízcseppeket, és alaposan szárítsa meg a szűrőket. Csak szárazon szerelhetők vissza.
4. Száradás után szerelje vissza a szűrőket ügyelve a helyes sorrendre.



Érzékelő (rendszeresen tisztítsa meg)

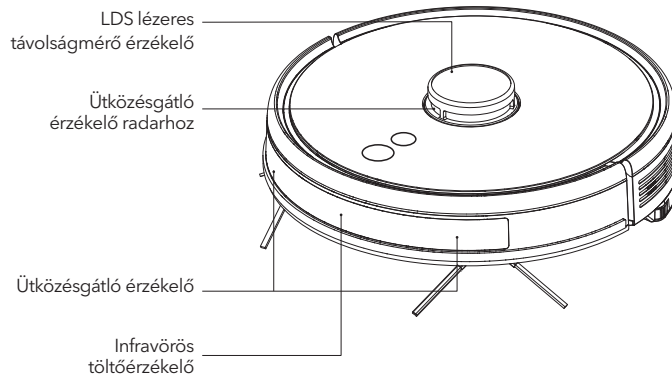
Tisztítsa meg az érzékelőket puha törlőkendővel:

1. Tisztítsa meg a jobb oldali érzékelőket
2. A három leesésgátló érzékelőt a készülék alján.
3. Az infravörös leesésgátló érzékelőt a készülék elején
4. Radaros elkerülő érzékelőt a készülék tetején.
5. Elektromos áramütés elleni védelem és töltőalap a készülék alján (kérjük, tisztítás közben áramtalanítsa).
6. A töltőbázis jelátviteli területe

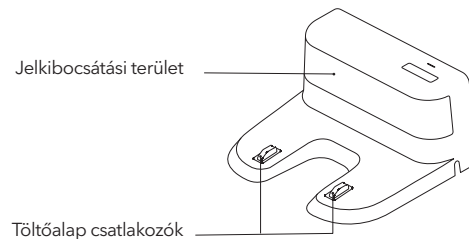


(1. ábra)

Érzékelő (havonta tisztítva)



(2. ábra)



(3. ábra)

Akkumulátor

- A készülék nagy teljesítményű lítium-ion akkumulátorokkal van felszerelve. Az akkumulátorok teljesítményének fenntartása érdekében kérjük, hogy a napi használat során tartsa a gépet folyamatosan feltöltve.
- Ha a készüléket hosszabb ideig nem használja, akkor előtte töltsse fel teljesen az akkumulátort, amit legalább 3 havonta ismételjen meg. Száraz, hűvös helyen tárolja a porszívót.

Firmware frissítés

A firmware frissítése mobil alkalmazás segítségével. Ha új firmware-t érkezik, telepítse azt a megjelenő utasítások szerint. Az akkumulátor szintjének $\geq 50\%$ -osnak kell lennie a firmware frissítés alatt, ezért a robotot a töltőlapra kell helyezni.

Rendszer visszaállítása

Vegye le a portatályt, szedje ki a gumidugót, és nyomja meg a Reset gombot (lásd a 4. oldalt). Az aktuális térkép, az időzítés, a WiFi és a személyre szabott beállítások a visszaállítás után törlődnek.

GYAKORI PROBLÉMÁK

Probléma	Megoldás
A robot nem indítható	<ul style="list-style-type: none"> • Ha az akkumulátor töltöttségi szintje alacsony, helyezze a robotot a töltőaljzatra, és igazítsa az elektródalaphoz, a A robot automatikusan elindul (ha a robot teljesen ki van kapcsolva, akkor automatikusan elindul egy ideig töltve) • Ha a környezeti hőmérséklet 0°C-nál alacsonyabb vagy 50°C-nál magasabb, kérjük, 0-40°C hőmérsékleten használja.
A robot nem tölthető	<ul style="list-style-type: none"> • Kérjük, vigye el a robotot, ellenőrizze, hogy világít-e a töltőbázis jelzőlámpája, és erősítse meg mindkét végét a töltőaljzat hálózati adaptere jól csatlakozik • Rossz érintkezés esetén távolítsa el a töltőalap repeszt és a töltőérintkezőt a roboton, vagy nyomja meg a oldalkefe félre
A robot nem tölthető újra	A robot túl messze van a töltőállomástól, kérjük, helyezze a robotot a töltőállomás közelébe, és próbálkozzon újra
Rendellenes viselkedés	Kapcsolja ki és indítsa újra a robotot
Rendellenes zaj a használat során	A főkefét, az oldalkefét vagy a kereket idegen anyagok kaphatják, kérjük, állítsa le a robotot, távolítsa el a főkefét és távolítsa el az idegen anyagokat
A tisztítási képesség romlik, vagy por hullik ki	<ul style="list-style-type: none"> • A portartály megtelt, kérjük, távolítsa el • A szűrőernyő eltömődött, törölje ki vagy cserélje ki • A főkefét idegen anyagok csavarták össze, kérjük, távolítsa el a főkefét és távolítsa el az idegen anyagokat
A WiFi nem csatlakoztatható	<ul style="list-style-type: none"> • A WiFi jel rossz, kérjük, győződjön meg róla, hogy a WiFi jel lefedi • A WiFi rendellenesen csatlakozik, kérjük, állítsa vissza a WiFi-t, töltsse le a legújabb APP-t, és próbálja meg újra csatlakozni • A jelszót rosszul adta meg • A router az 5G frekvenciasávhoz, a tisztítórobot csak a 2,4G frekvenciasávhoz érhető el
A rögzített idejű tisztítás sikertelen	Alacsony akkumulátor töltöttségi szint esetén a fix idejű tisztítás csak akkor indítható el, ha az akkumulátor töltöttségi szintje legalább 30%
Hogy a robot fogyaszt-e áramot, ha mindig a töltőaljzaton van	A robot egy kis energiát fogyaszt, ha mindig a töltőaljzaton van, és ez biztosítja az akkumulátor legjobb teljesítményét
A robotot 16 órán keresztül kell-e tölteni az első három alkalommal	A lítium akkumulátor feltöltés után azonnal használható, és nincs memóriaeffektusa

HIBAEELHÁRÍTÁS

Hallható hang	Megoldás
1. hiba: Nem találom a porgyűjtőt	A tisztítás a portartály kivételekor indul el
2. hiba: Ellenőrizze, hogy a tetején lévő radar le van-e takarva vagy blokkolva	A felső radar le van fedve, vagy nyílt területen van elhelyezve (6×6m ² -es területen nincs akadály)
3. hiba: helyezzen el egy új helyre, és próbálja újra	Vegye fel a robotot, vagy vigye át egy másik helyre
4. hiba: Kérjük, tisztítsa meg a sziklaérezékelőt, és indítsa újra egy új helyről	A sziklaérezékelő le van takarva vagy magasra van helyezve
5. hiba: Kérjük, tisztítsa meg az első érzékelőt, és indítsa újra egy új helyről	Az infravörös elkerülés érzékelő piszkos vagy be van takarva
6. hiba: Kérjük, tisztítsa meg a jobb oldali érzékelőt, és indítsa újra egy új helyről	A fali érzékelő piszkos vagy be van takarva
7. hiba: Tisztítsa meg a radarházat a tetején, és indítsa újra egy új helyről	A radar elkerülő érzékelő piszkos vagy letakart
8. hiba: Kérjük, ellenőrizze, hogy a lökhárító nincs-e blokkolva valamilyen módon	Az él- vagy ütközésérezékelő beragadt
9. hiba: Tisztítsa meg a portartályt és a szűrőt	A portartály megtelt, vagy a szűrőszűrőt ki kell cserélni
10-es hiba: A portartályt eltávolították, tisztítsa meg a tartályt és a szűrőt	A 9-es hiba kiadása után a felhasználó kiveszi a csatornakamrát, és a 10-es hiba lép fel
11-es hiba: Elakadtam	A robot elakadt
12-es hiba: Kérem, helyezze el helyesen!	A robot billent
13-as hiba: Kérjük, ellenőrizze, hogy a kerekeim nem blokkoltak-e valahol	A hajtókerék beragadt vagy megszarodott, kérjük távolítsa el az idegen anyagokat
14-es hiba: Ellenőrizze, hogy nem ragadt-e be a főkefe	A főkefe csavarodott vagy beragadt, kérjük, távolítsa el és távolítsa el az idegen anyagokat
15-ös hiba: Ellenőrizze, hogy az oldalkefék nem ragadtak-e be	Az oldalkefe csavarodott vagy beragadt, kérjük távolítsa el és távolítsa el az idegen anyagokat
16-os hiba: Hol van a dokkolóállomás	A töltőállomás nem található, vagy nincs bedugva
17. hiba: Programhiba, kérlek, indíts újra	A rendelleneséget ismeretlen meghibásodás okozza, indítsa újra a robotot
18-as hiba: Hiba történt a leállítás indításakor	A robot emlékezteti a felhasználót, és automatikusan kikapcsol, vagy újratöltődik
19. hiba: Alacsony akkumulátor, töltsse fel	Ha az akkumulátor töltöttségi szintje túl alacsony, és a robot nincs a töltőállomáson, akkor a tisztítás elindul (az akkumulátor töltöttségi szintje 10%-nál alacsonyabb).
20-as hiba: Távolítsa el a töltőállomásról a kikapcsoláshoz	A robot kikapcsol, ha a töltőaljzaton töltik

A VESZÉLYES ANYAGOK TARTALMA ÉS MEGNEVEZÉSE

Veszélyes anyag	Alkatrész					
	Műanyag burkolat	Áramköri lap	Tápkábel	Akkumulátor	Fém részek	Adapter
Ólom (Pb)	○	✘	✘	✘	○	✘
Higany (Hg)	○	○	○	○	○	○
Kadmium (Cd)	○	○	○	○	○	○
Króm VI (Cr (VI))	○	○	○	○	○	○
Polybrominated biphenyls PBB	○	○	○	○	○	○
Polybrominated diphenyl ethers (PBDE)	○	○	○	○	○	○

○: azt jelenti, hogy az alkatrész veszélyes és ártalmas anyagok tartalma kisebb, mint az SJ/T11363-2006 szabványban meghatározott határérték.

✘: azt jelenti, hogy a veszélyes és ártalmas anyagok tartalma legalább az egyik komponensben meghaladja az SJ/T11363-2006 szabványban meghatározott határértéket.



MEGJEGYZÉS

A táblázatban "X"-el megjelölt néhány speciális felhasználásra szánt elektronikus alkatrész (pl. nagyfeszültségű ellenállás, kerámia ellenállás és dióda stb.) ólomtartalma nagyobb lehet, mint 0,1%. A mag és az USB-kábelben lévő nagy teljesítményű ötvözet ólomtartalma szintén meghaladhatja a 0,1%-ot. Ezek az alkatrészek megfelelnek az EU ROHS mentességi záradékának. Az olyan alkatrészek esetében, amelyek korunk technológiai szintjének korlátai miatt nem helyettesíthetők mással, a külső érintkező elemek ólomtartalma megfelel a környezetvédelmi követelményeknek.

BIZTONSÁGI INFORMÁCIÓK

Felhasználási korlátozások

- A termék kizárólag otthoni környezetben történő padlótisztításhoz használható, nem használható kültéren (pl. nyitott terasz), nem járőrfelületeken (pl. kanapé), valamint kereskedelmi és ipari környezetben.
- Kérjük, ne használja a terméket magasan lévő területeken (például tetőtérben, nyitott teraszon és bútor tetején) védőkorlát nélkül.
- Kérjük ne használja a terméket 40°C feletti vagy 0°C alatti hőmérsékleten, illetve ha a talajon folyadékok és ragacsos anyagok vannak.
- Kérjük, használat előtt távolítsa el a földön lévő kábeleket, hogy a készülék ne akadjon beléjük.
- Kérjük, távolítsa el a törékeny tárgyakat és nagyobb tárgyakat (pl. váza, műanyag zacskó stb.) a földről, hogy elkerülje az értéktárgyak sérülését.
- Fizikai, szellemi vagy érzékelési zavarral élő személyek (beleértve a gyermekeket is) nem használhatják vagy kezelhetik a terméket.
- Gyermekek nem használhatják a terméket játékként. Kérjük, tartsa távol a gyermekeket és a háziállatokat, amikor a készülék működik.
- Kérjük, hogy a keféket és más tisztítóeszközöket tartsa gyermekek számára elérhetetlen helyen

- Kérjük, ne helyezzen tárgyakat (beleértve a gyermekeket és a háziállatokat) álló vagy mozgó gépre.
- Kérjük, tartsa távol a haját, az ujjait és test egyéb részeit, valamint a háziállatokat a szívónyílástól, amikor a robot működik.
- Kérjük, ne használja a terméket égő tárgyak (például égő cigarettacsikk) felsőprérése.
- Kérjük, ne használja a terméket hosszú szőrű szőnyegek tisztítására (bizonyos szőnyegek nem tisztíthatók meg rendszeren).
- Ügyeljen rá, hogy a készülék ne szíjon fel kemény vagy éles tárgyakat (például hulladék dekorációs anyagokat, üveg és vasszöveget stb.).
- Kérjük, ne mozgassa a készüléket a lézeres távolságérzékelő és az ütköző védőburkolatánál fogva.
- A tisztítást és karbantartást mindig kikapcsolt állapotban végezze el.
- Kérjük, ne használjon nedves törlőruhát a készülék tisztításához.
- A terméket a kezelési útmutatónak megfelelően használja. A nem megfelelő használatból eredő károkért és sérülésekért sem a gyártó sem a forgalmazó nem vonható felelőségre.
- Kérjük, ne használja szőnyegen és bútorok tetején a felmosó funkciót.
- Töltés közben minden esetben vegye ki a víztartályt.

Akkumulátor és töltés

- Ne használjon harmadik fél által biztosított akkumulátort, töltőalapot vagy töltőt.
 - Ne szerelje szét az akkumulátort vagy a töltőalapot.
 - Kérjük, tartsa távol a töltőalapot hőforrástól (pl. fűtőlapp).
 - Ne használjon nedves törlőruhát a töltőbázis tisztítására.
 - A használt akkumulátorokat szakszerűen kell ártalmatlanítani.
- Ha a tápkábel megsérül, a további veszélyek elkerülése érdekében azt csak a gyártó, annak szakszervize, vagy egy megfelelő végzettséggel rendelkező szakember cserélheti ki.
 - A készüléket csak kikapcsolt állapotban és lehetőség szerint az eredeti csomagolásában szabad szállítani.
 - Ha a készüléket hosszabb ideig nem használja, akkor előtte tölts fel teljesen az akkumulátort, amit legalább 3 havonta ismétljen meg. Száraz, hűvös helyen tárolja a porszívót.

Lézerbiztonsági információk

- A termék lézeres távolságérzékelője megfelel az IEC60825 1. osztályú lézertermékekre vonatkozó szabványnak, és nem bocsát ki veszélyes lézersugárzást.

A Smart Wifi applikáció felhasználói kézikönyve itt található:
<https://tesla.info/wp-content/uploads/pdf/TeslaVCR600Wapp.pdf>



Само за домашна употреба.
Внимателно прочитајте ги упатствата за употреба пред употреба.

Ви благодариме што го избравте нашиот Smart Robot правосмукалка!

Станува збор за најсовремен интелигентен робот за планирање на чистење кој комбинира радар со висока прецизност и разни сензори кои можат да соработуваат преку алгоритам за навигација, да цртаат карта на просторијата во реално време и да планираат пат за чистење, и вклучува автоматско чистење и автоматско полнење без рачна интервенција. Има исклучително силна вшмукувачка моќност, кутија за прав со голем капацитет, ХЕПА филтер што се пере и усвојува ефикасен метод за чистење.

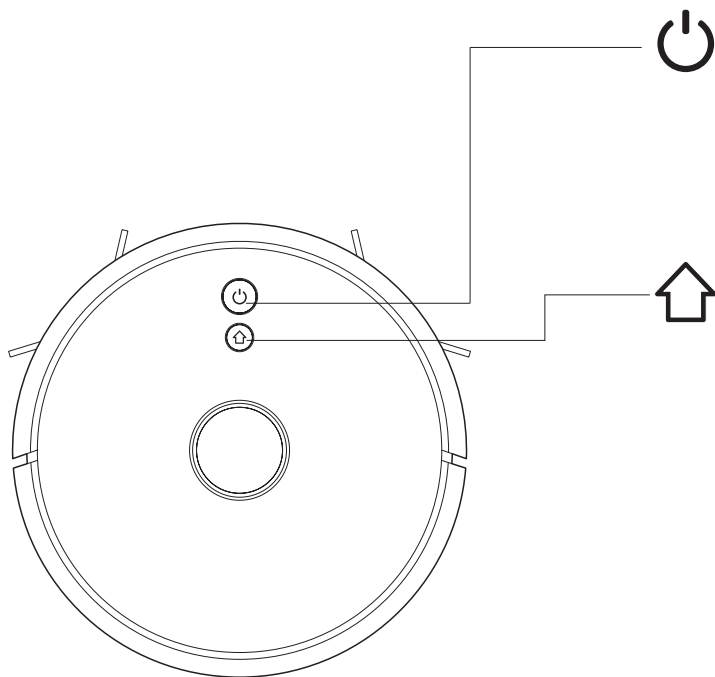
Можете да ја преземете мобилната апликација користејќи го вашиот телефон за да ја проверите мапата за чистење и работниот статус на роботот во апликацијата во реално време, да ја дефинирате областа за чистење и распоред.

Можете да го контролирате роботот од далечина. Науката и технологијата го прават животот подобар.

Ви посакуваме пријатно корисничко искуство!

ПРЕЗЕНТАЦИЈА НА ПРОИЗВОДОТ

Клучни функции



Sweep/ON &OFF

- Кратко притискање за да започнете со чистење / пауза
- Долго притиснете 3s за вклучување / исклучување
- Притиснете и држете 15 секунди за да се исклучи под ненормални околности

Полнење / локално чистење

- Накратко притиснете Полнење / Пауза
- Притиснете и задржете за да започнете локално чистење

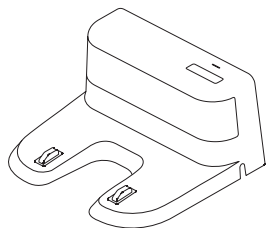
Сигнални светилки

- Сино: Нормално работење или полнење
- Црвено: Абнормална состојба или слаба батерија
- Виолетова: Роботот не е поврзан на мрежата

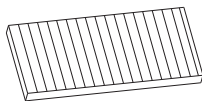
Ресетирање на WiFi

- Притиснете ги двете копчиња истовремено 3 секунди

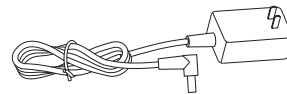
Листа на делови



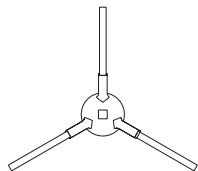
Основа за полнење x1



HEPA филтер + сунѓер филтер x1



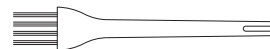
Адаптер x1



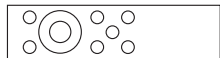
Четка од левата страна x2
Четка од десната страна x2



Четка за чистење со нож x1 (по избор)

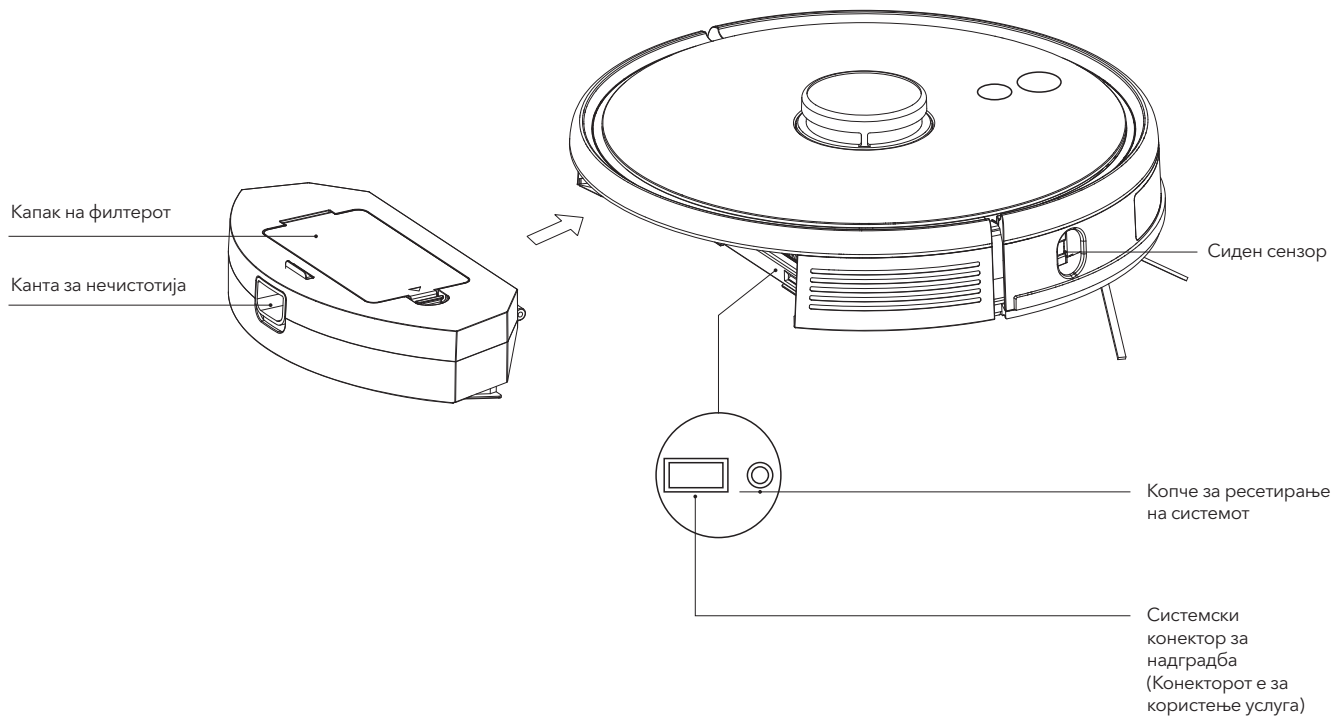


Четка за чистење x1 (по избор)

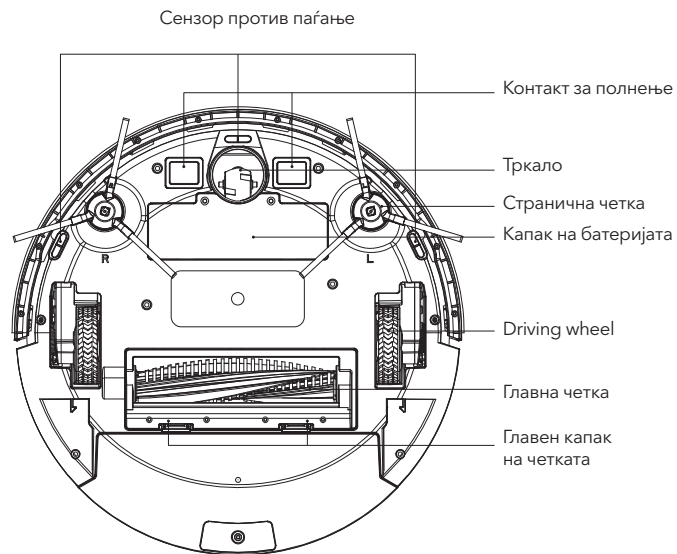
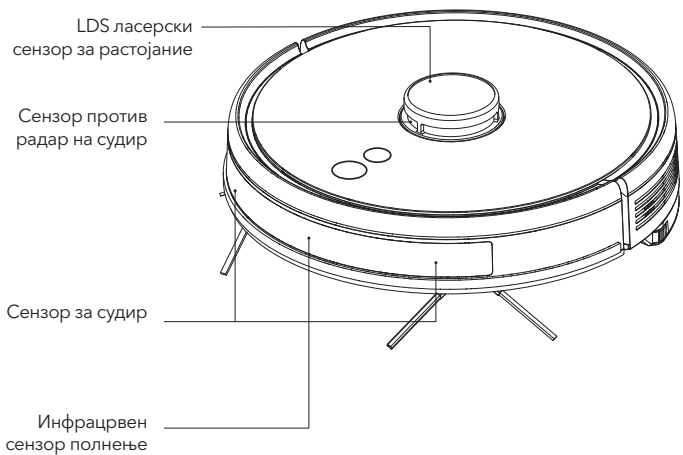


Далечински управувач x1
(по избор)

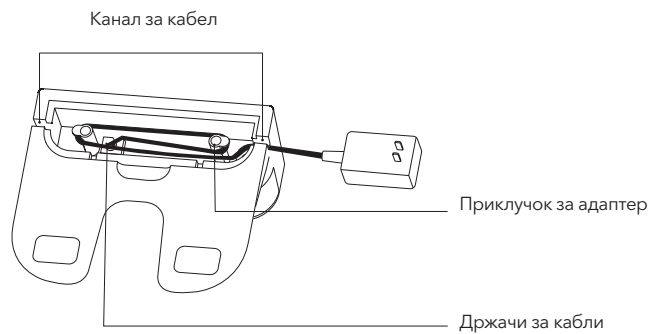
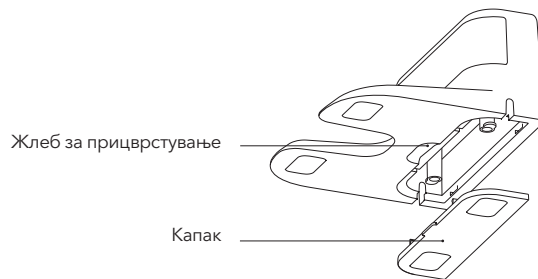
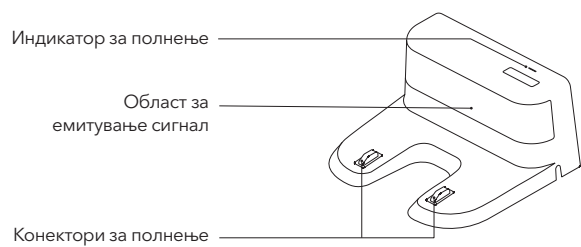
Робот



Сензори и куќиште

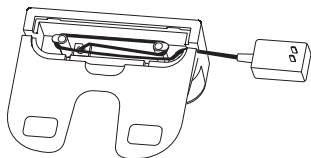


База за полнење

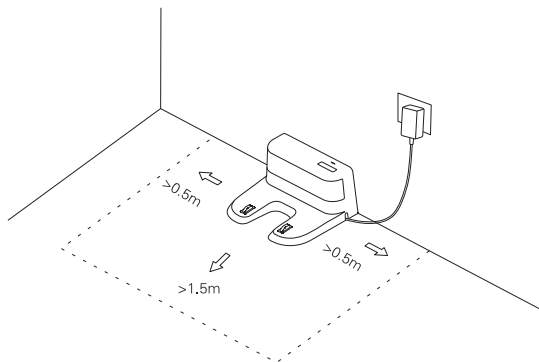


ИНСТАЛАЦИЈА

1. Поврзете го адаптерот и повлечете го вишокот кабел



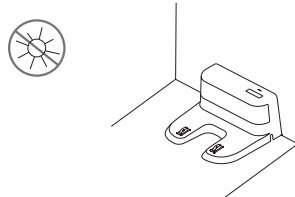
2. Поставете ја основата за полнење до ѕидот и поврзете го напојувањето.



ЗАБЕЛЕШКА

- Обезбедете простор од повеќе од 0,5 m од двете страни на основата за полнење и простор од најмалку 1,5 m во предниот дел.
- Ако кабелот е поставен на земја, роботот може да го извлече и соодветно да се исклучи основата за полнење.
- Индикаторот за полнење се активира кога е вклучен и исклучен кога се полни.

3. Ве молиме не ја поместувајте базата за полнење произволно и чувајте ја подалеку од директна сончева светлина.

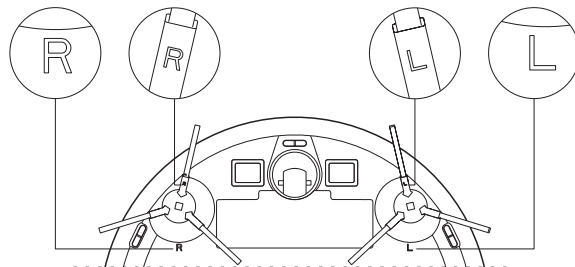


ЗАБЕЛЕШКА

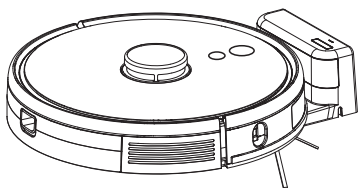
- Ако базата за полнење е поместена, роботот може да згрешо во позиционирањето и да ја изгуби картата. Кога ќе се рестартира, роботот ќе ја обнови и зачува картата, обновената мапа може да изгуби информации за чистење на забранетите области и други области.
- Директната сончева светлина ќе го попречи сигналот за полнење и следствено роботот нема да може да се врати во основата за полнење.


4. Монтирање странични четки

Четката за левата страна (L) и четката за десната страна (R) се совпаѓаат со L и R во мали букви, притиснете L и R и страничните четки се поставени додека не слушнете звук „кликање“.



5. Палење и полнење



Долго притиснете  за да го вклучите роботот. Наполнете го роботот на базата за полнење кога показното светло за напојување е нормално вклучено.

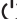
ЗАБЕЛЕШКА

Ако машината не може да се вклучи поради испразнета батерија, наполнете го роботот на основата за полнење и роботот ќе започне автоматски. Роботот може нормално да работи само кога нивото на батеријата е $\geq 20\%$

6. Поврзете ја мобилната апликација (овој чекор може да се прескокне)

Погледнете ги упатствата за WiFi конекција, потоа поврзете ја мобилната апликација.

7. Започнете со чистење

Откако ќе се вклучи роботот, кратко притиснете го копчето  на роботот или користете ја мобилната апликација за да започнете со чистење (притиснете кое било копче за да паузирате за време на употребата)

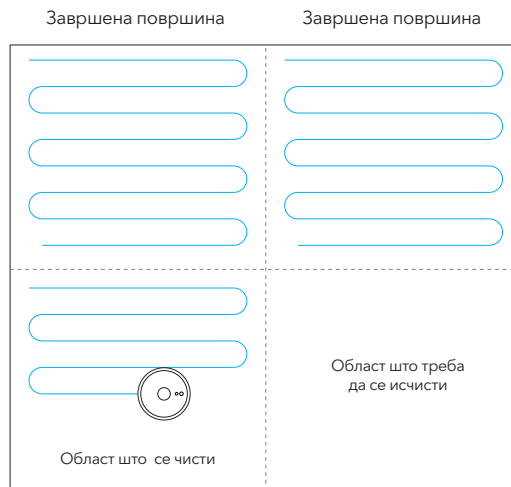
ЗАБЕЛЕШКА

- Роботот за чистење не може да се користи за отстранување течности.
- Ако нивото на полнење на батеријата е помало од 20%, роботот не може да работи. Наполнете го.
- Роботот автоматски ќе се врати во основата за полнење ако нивото на батеријата е помалку од 20% во употреба и ќе се исклучи и чистењето ќе започне автоматски откако нивото на батеријата ќе достигне 80%
- Ве молиме исчистете ги разните кабли (вклучително и адаптерот од основата за полнење) прд употреба, за да избегнете прекини и оштетувања на предмети или кабли кога роботот влече кабли.

УПАТСТВО

Режим на чистење

Откако ќе се вклучи робот, тој ќе скенира и генерира карта и интелигентно ќе ја подели на области. Потоа уредно, ефикасно и темелно ќе ги премине областите долж ѕидот и ќе ја испланира патеката за чистење во облик на лак / С. Роботот по чистењето автоматски ќе се врати во основата за полнење.




ЗАБЕЛЕШКА

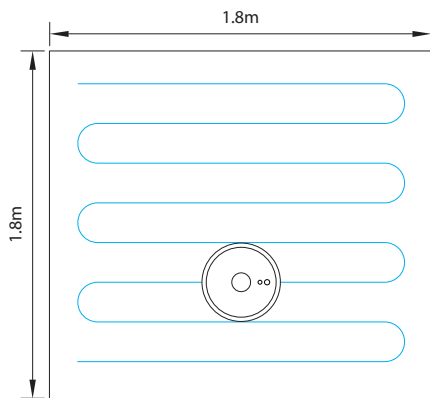
Не го поместувајте роботот безгрижно и често додека чистите. Откако ќе се преместите, поставете го роботот близу до неговата првобитна положба. Кога ќе се рестартира, ќе се обиде да се репозиционира. По успешното позиционирање, тој ќе го следеше планираниот пат и ќе продолжи да работи. Ако позиционирањето не успее, роботот ќе ја прекине претходната мисија, ќе создаде карта и повторно ќе исчисти. Можеби дури и нема да најдат база за полнење

Чистење на место

Кога на локалното подрачје му е потребно длабоко чистење, корисникот на АПП ја одредува точката на картата, машината автоматски ќе се премести во близина на точката, ќе ја земе точката како центар и ќе чисти во растојание од 1,5 m на 1,5 m.

Делумно чистење

Кога роботот не може да ја контролира мобилната апликација, отстранете го роботот до местото што сакате да го исчистите. Притиснете и држете го копчето  3 секунди и роботот ќе чисти двапати во опсег од 1,8m x 1,8m со центрирање на самиот себе.



Кориснички дефинирана област за чистење

Користете ја мобилната апликација за да ја поставите големината и локацијата на областа што сакате да ја исчистите. Можете да поставите една или повеќе области. Робот би чистел според областите што сте ги поставиле.

Забранета зона

Поставете една или повеќе ограничени области користејќи ја мобилната апликација. Роботот нема да чисти забранети области, туку други области.



ЗАБЕЛЕШКА

- Роботот може да влезе во забранетата област поради грешки во позиционирање, абнормалности на сензорот и други причини.
- Постојана ограничена област може да стане неважечка поради голема промена положба на основата за полнење и мебелот.
- Затоа, ве молиме обидете се да не се движите или да не се мешате со роботот а време на чистењето.
- Постојаната ограничена област ќе се изгуби кога картата ќе се обнови.

Закажано чистење

Закажаното чистење може да се постави преку мобилна апликација. Роботот автоматски ќе започне со чистење во закажаното време и по чистењето ќе се врати во базата за полнење.

WiFi reset

Ако мобилниот телефон не може да се поврзе со уредот поради промена на конфигурацијата на рутерот и лозинката или од други причини, притиснете го копчето  и копчето  во исто време за 3 секунди додека не се прими гласовната порака "WiFi се ресетира" и индикаторското светло не стане виолетово и трепка бавно.



Режим DND (не вознемирувај)

Роботот нема ниту да го исчисти подот ниту автоматски да емитува глас во режимот DND. Достапното време на режимот DND може да се започне или измени со помош на мобилната апликација.

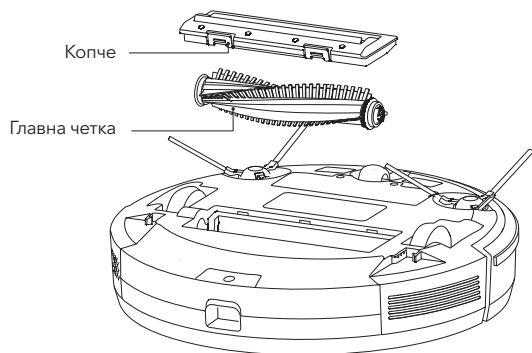
Прилагодување на моќта на вшмукување

Можете да ја прилагодите моќноста на вшмукување на тивко ниво, стандардно ниво и високо ниво.

РЕДОВНО ОДРЖУВАЊЕ

Главна четка (чистете ја редовно)

1. Превртете го роботот и притиснете го копчето на капакот на четката за чистење за да ја отстраните четката за чистење.
2. Отстранете ја прашината однадвор и внатре со четката за чистење со мала четка и исчистете ја четката за чистење.
3. Вратете ја четката за чистење и цврсто притиснете го капакот на четката за чистење за да го фиксирате копчето.

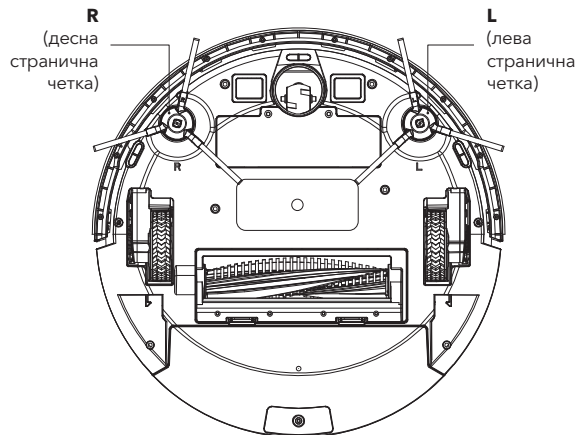


Странична четка (чистете ја редовно)

1. Превртете го роботот и повлечете ја страничната четка нагоре.
2. Отстранете ја косата и нечистотијата и повторно составете ја страничната четка.
3. Нека четката од левата страна (L) и четката од десната страна (R) се совпаѓаат со L и R на долното куќиште, притиснете L и R за ресетирање.

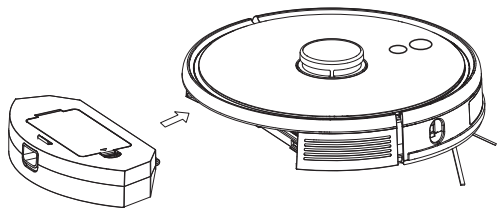
ЗАБЕЛЕШКА

Заменете ги страничните четки на секои 3-6 месеци за да обезбедите ефект на чистење.

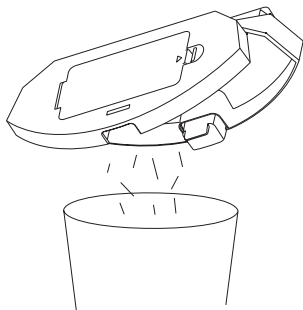


Кутија за прашина (чистете ја редовно)

1. Притиснете го копчето и повлечете ја корпата за отпадоци назад

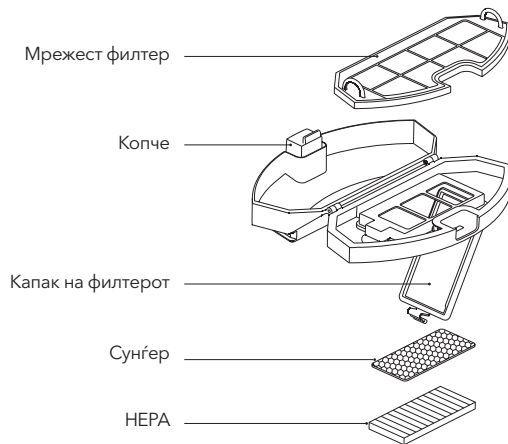


2. Отворете и исчистете ја корпата за отпадоци.



Чистење на филтерот (редовно чистете го)

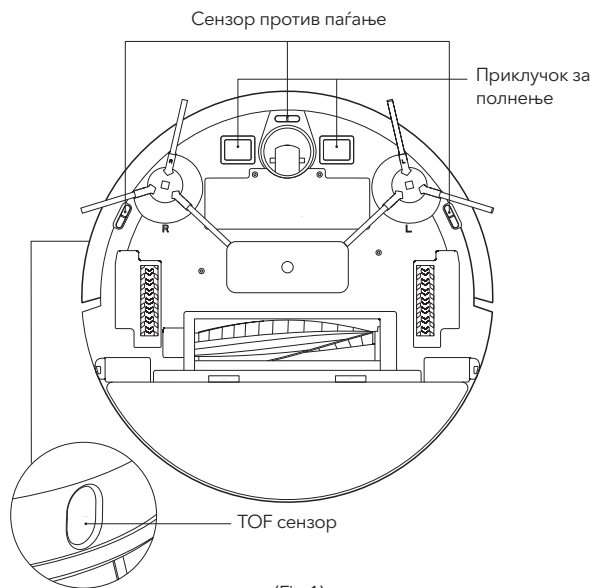
1. По продолжена употреба, отстранете го филтерот, сунѓерот и HEPA
2. Исчистена отстранета филтерска газа, сунѓер и HEPA под вода
3. Тресете ги калките вода и исушете ги природно, а потоа користете ги откако целосно ќе се исушат
4. Откако целосно ќе се исуши, склопете го со ред, мрежестиот филтер-сунѓер - HEPA



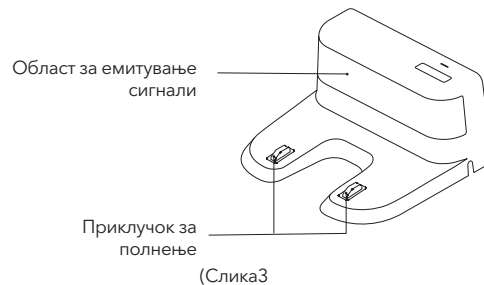
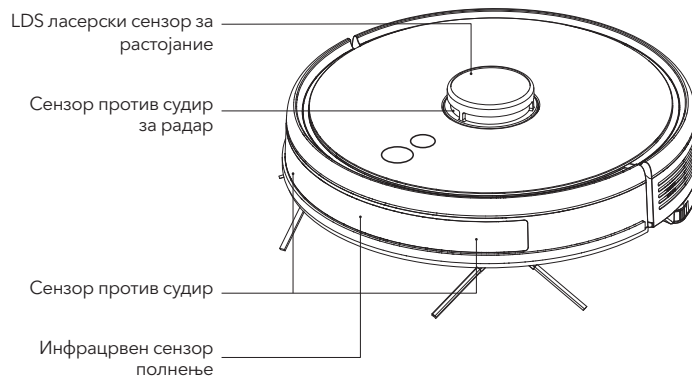
Сензор (редовно чистете го)

Исчистете ги сензорите со мека крпа, која вклучува :

1. Исчистете ги сензорите долж ѕидот од десната страна
2. Три сензори против паѓање на дното на домаќинот
3. I Сензор за избегнување инфрацрвени зраци на предната страна на домаќинот.
4. Сензор за избегнување радар на врвот на домаќинот
5. Заштита од електричен шок и основен контакт за полнење на дното на роботот (исклучете го напојувањето за време на чистењето)
6. Површина за пренос на основниот сигнал за полнење



Сензор (месечно чистење)



Батерија

- Роботот е опремен со литиум-јонски батерии со високи перформанси. За да ги одржите перформансите на батеријата, одржувајте го роботот наполнет во секојдневна употреба.
- Ако роботот остане неискористен долго време, исклучете го и држете го правилно. Наполнете го барем на секои 3 месеци за да избегнете оштетување на батериите поради прекумерно празнење.

Надградба на фирмверот

Надградете го фирмверот користејќи мобилна апликација. Ако се открие нов фирмвер, надградете го според упатствата. Нивото на полнење на батеријата треба да биде $\geq 50\%$ за време на надградбата на фирмверот, така што роботот треба да се стави на основата за полнење.

Ресетирање на системот

Отстранете ја кутијата за прав, отворете ја гумената затка и притиснете го копчето за ресетирање (видете на страница 4). Тековната карта ќе се изгуби и времето, WiFi и персонализираните поставки ќе се следат по ресетирањето.

ВООБИЧАЕНИ ПРОБЛЕМИ

Проблем	Решение
Роботот не може да се стартува	<ul style="list-style-type: none"> Во случај на ниско ниво на батеријата, поставете го роботот на базата за полнење и порамнете го на плочата на електродата, роботот ќе се стартува автоматски (ако роботот е целосно исклучен, може да се стартува автоматски потоа наплаќаат некое време) Ако температурата на околината е пониска од 0°C или повисока од 50°C, ве молиме користете ја на температура од 0-40°C
Роботот не може да се полни	<ul style="list-style-type: none"> Ве молиме оддалечете го роботот, проверете дали свети индикаторското светло на базата за полнење и потврдете ги двата краја на адаптерот за напојување на базата за полнење се добро поврзани Во случај на лош контакт, исчистете го шрапнелот на базата за полнење и контактот за полнење на роботот или притиснете го странична четка настрана
Роботот не може да се полни	Роботот е премногу далеку од базата за полнење, ве молиме ставете го роботот во близина на базата за полнење и обидете се уште еднаш
Ненормално однесување	Исклучете го и рестартирајте го роботот
Абнормален шум при употреба	Главната четка, страничната четка или тркалото може да се добијат од туѓи материи, ве молиме исклучете го роботот, отстранете ја главната четка и отстранете ги туѓите материи
Способноста за чистење се намалува или прашината паѓа	<ul style="list-style-type: none"> Кутијата за прав е полна, ве молиме исчистете ја Екранот на филтерот е блокиран, ве молиме исчистете го или заменете го Главната четка е испреплетена од туѓи материи, ве молиме отстранете ја главната четка и отстранете ги туѓите материи
WiFi не може да се поврзе	<ul style="list-style-type: none"> WiFi сигналот е лош, ве молиме проверете дали е покриен со WiFi сигнал WiFi е поврзан ненормално, ресетирајте ја WiFi, преземете ја најновата АПП и обидете се повторно да ја поврзете Лозинката е погрешно внесена Рутерот е достапен за фреквенцискиот опсег 5G, роботот за чистење е достапен само за фреквенцискиот опсег 2,4G
Чистењето на одредено време не успева	Во случај на ниско ниво на батеријата, чистењето со фиксно време може да се започне само кога нивото на батеријата не е помало од 30%
Дали роботот троши енергија ако секогаш е поставен на базата за полнење	Роботот троши малку енергија ако е секогаш поставен на базата за полнење и овозможува најдобри перформанси на батеријата
Дали роботот треба да се полни 16 часа во првите три пати	Литиумската батерија може да се користи веднаш по полнењето и нема ефект на меморија

РЕШАВАЊЕ ПРОБЛЕМИ

Звучен сигнал	Решение
Грешка 1: Не можам да го најдам колекторот за прашина	Чистењето се активира кога ќе се извади кутијата за прав
Грешка 2: Ве молиме проверете дали радарот на врвот е покриен или блокиран	Горниот радар е покриен или поставен на отворен простор (нема пречка на површина од 6×6m ²)
Грешка 3: Ве молиме поставете ме на нова локација и обидете се повторно	Земете го роботот или преместете го на друга локација
Грешка 4: Ве молиме исчистете го сензорот на карпата и рестартирајте ме од нова локација	Сензорот на карпата е покриен или поставен на висина
Грешка 5: Ве молиме исчистете го предниот сензор и рестартирајте ме од нова локација	Инфрацрвениот сензор за избегнување е валкан или покриен
Грешка 6: Ве молиме исчистете го десниот сензор и рестартирајте ме од нова локација	Сензорот на сидот е валкан или покриен
Грешка 7: Ве молиме исчистете го кукиштето на радарот одозгора и рестартирајте ме од нова локација	Сензорот за избегнување радар е валкан или покриен
Грешка 8: Ве молиме проверете дали браникот е блокиран на некој начин	Сензорот за раб или судир е заглавен
Грешка 9: Ве молиме исчистете го садот за прав и филтерот	Кутијата за прав е полна или треба да се замени екранот на филтерот
Грешка 10: Садот за прав е отстранет, ве молиме исчистете го садот и филтерот	Откако ќе се појави грешката 9, корисникот ја вади каналната комора и се активира грешката 10
Грешка 11: Јас сум заглавен	Роботот е заглавен
Грешка 12: Ве молиме поставете ме правилно!	Роботот е наведенат
Грешка 13: Ве молиме проверете дали моите тркала се блокирани некаде	Возачкото тркало е заглавено или завиткано, ве молиме отстранете ги надворешните работи
Грешка 14: Ве молиме проверете дали главната четка е заглавена	Главната четка е завиткана или заглавена, ве молиме отстранете ја и отстранете ги тугите материји
Грешка 15: Ве молиме проверете дали страничните четки се заглавени	Страничната четка е завиткана или заглавена, ве молиме отстранете ја и отстранете ги тугите материји
Грешка 16: Каде е приклучната станица	Основата за полнење не може да се најде или не е приклучена
Грешка 17: Грешка во програмата, рестартирајте ме	Абнормалностите се предизвикани од непознат дефект, рестартирајте го роботот
Грешка 18: Наиде на грешка при започнувањето на исклучувањето	Роботот го потсетува корисникот и автоматски се исклучува или се полни

Звучен сигнал	Решение
Грешка 19: Слаба батерија, пополнете ја	Кога нивото на батеријата е ниско, а роботот не е на базата за полнење, се активира чистењето (нивото на батеријата е пониско од 10%)
Грешка 20: Отстранете од станицата за полнење за исклучување	Роботот се исклучува кога се полни на базата за полнење

СОДРЖИНА И ИМЕ НА ОПАСНИ СУСПУСТАНЦИИ

Опасни супстанции	Име на делот					
	Пластично куќиште	Печатена плоча	Напонска линија	Батерија	Меални делови	Адаптер
Олово (Pb)						
Жива (Hg)	○	○	○	○	○	○
Кадмиум (Cd)	○	○	○	○	○	○
Хром VI (Cr (VI))	○	○	○	○	○	○
Полибромирани бифенили (PBВ)	○	○	○	○	○	○
Полибромирани дифенилни етери (PBDE)	○	○	○	○	○	○

○ : значи дека содржината на опасни и штетни материи во компонентата е помала од предвидената граница SJ / T11363-2006

× : значи дека содржината на опасни и штетни материи во барем таа компонента ја надминува предвидената граница SJ / T11363-2006



ЗАБЕЛЕШКА

Содржината на олово во неколку лепливи електронски компоненти за специјална употреба (како што се отпорник со висок напон, керамички отпорник и диода, итн.) Во Табела "X" може да биде повисока од 0,1%. Содржината на олово во легурата со високи перформанси содржана во USB-кабелот, исто така, може да биде поголема од 0,1%. Ваквите компоненти се во согласност со клаузулите за ослободување од EY ROHS. За технологии и компоненти што не можат да се заменат поради ограничување на нивото на технолошки развој, содржината на олово во надворешните контактни елементи е во согласност со барањата за заштита на животната средина.

ИНФОРМАЦИИ ЗА БЕЗБЕДНОСТ

Ограничувања за употреба

- Производот се користи за чистење на подот само во домашна средина и не може да се користи за надворешност (како отворена тераса), мебел (како софа) и комерцијална или индустриска средина.
- Ве молиме, не користете го производот во средини без заштитна ограда (како што е поткровје, тераса на отворено и мебел)
- Не користете го производот на температури над 40°C или под 0°C или кога има течности и лепливи супстанции на земја.
- Прикачете ги каблите на земја пред употреба за да избегнете влечење од роботот
- Исчистете ги кревките предмети и нечистотијата (како што се вазни, пластични кеси, итн.) На земја за да избегнете оштетување на скапоценостите кога роботот е заглавен.
- На луѓето со телесни, духовни или перцептивни нарушувања (вклучително и деца) не им е дозволено да го користат или контролираат роботот
- Децата не можат да го користат производот како играчка. Ве молиме држете ги децата и миленичињата подалеку кога роботот работи.
- Чувајте ја главната четка и другите алатки за чистење подалеку од дофатот на децата.
- Не ставајте предмети (вклучително и деца и миленичиња) на роботот во мирување или во движење.
- Држете ги косата, прстите и другите делови од човечкото тело или миленичиња подалеку од отворот за вшмукување додека роботот работи.
- Не користете производ за чистење од запалени предмети (како што е запалив заден дел од цигара)
- Не користете робот за чистење теписи со долги реси (некои темни теписи можеби нема да се исчистат нормално).
- Спречете го роботот да вакумира тврди или остри предмети (како отпад од украсни материјали, стакло и железни шајки, итн.)
- Ве молиме, не го поместувајте роботот додека го држите заштитниот капак на ласерскиот сензор за растојание и браник.
- Исчистете го или држете го исклучен роботот и базата за полнење.
- Не бришете ниту еден дел од производот со влажна крпа или течност
- Ве молиме користете го производот според упатствата за употреба. Корисникот треба да одговара за секоја штета и повреди предизвикани од неправилна употреба.

Батерија и полнење

- Ве молиме не користете батерија, држач за полнење или полнач од трети страни.
- Не расклопувајте, не правте или не ја поправајте ја батеријата или базата за полнење сами.
- Држете ја основата за полнење подалеку од извори на топлина (како што е ринглата)
- Не бришете ги или чистете ги контактите на основата за полнење со влажна крпа или влажна рака
- Ве молиме, не ја оставајте батеријата произволно. Користените батерии треба да се фрлат од професионална агенција за рециклирање.
- Ако кабелот за струја е оштетен или скршен, веднаш исклучете го и заменете го во сервис.
- Осигурајте се дека роботот е исклучен за време на транспортот, производот треба да се транспортира во оригиналното пакување.
- Ако роботот остане неискористен долго време, треба да се наполни целосно и да се стави на ладно и суво место. Наполнете го роботот барем на секои 3 месеци за да избегнете оштетување на батериите поради прекумерно празнење.

Информации за ласерската безбедност

- Ласерскиот сензор за растојание на производот е во согласност со стандардот за ласерски производи од класа 1 IEC60825 и не произведува опасно ласерско зрачење.

Упатство за употреба за паметна WiFi апликација може да се најде на:
<https://tesla.info/wp-content/uploads/pdf/TeslaVCR600Wapp.pdf>



Doar pentru uz casnic
Citiți acest manual cu atenție înainte de utilizare.

Vă mulțumim că ați ales Aspiratorul Smart Robot!

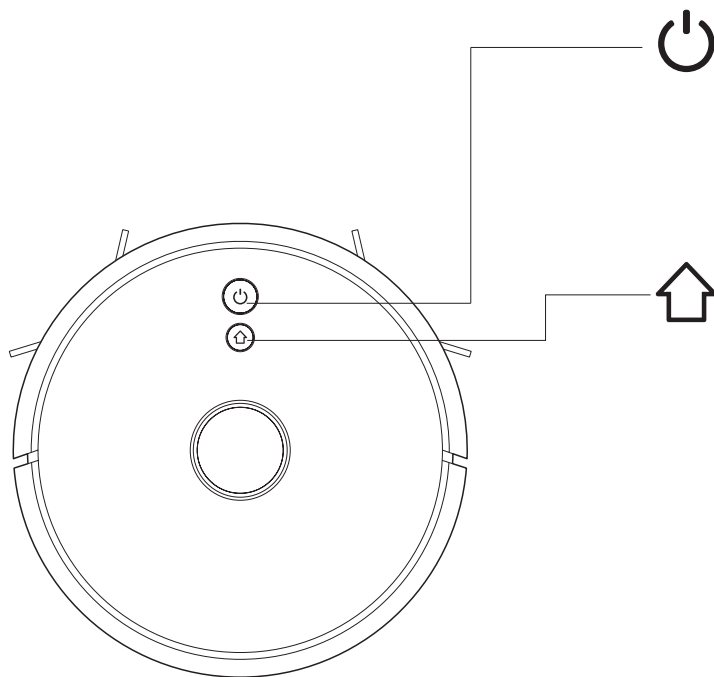
Este un robot de curățare inteligent care combină radarul de înaltă precizie și diverși senzori pentru a realiza colaborarea prin algoritmul de navigație, desenează o hartă a camerei în timp real și planifică traseul de curățare automată și încărcare automată fără intervenție manuală. Are putere de aspirație extrem de mare, cutie de praf de tip sertar de mare capacitate, ecran filtrant HEPA lavabil și modul de curățare de tip split și adoptă un mod de curățare eficient, mai întâi curățare și apoi spălare.

Puteți descărca aplicația mobilă pe telefon pentru a verifica harta de curățare și starea de funcționare a robotului în timp real, pentru a defini zona de curățare și a programa. Puteți controla robotul de la distanță. Știința și tehnologia îmbunătățesc viața.

Să aveți o experiență de utilizare plăcută!

PREZENTAREA ROBOTULUI

Funcție-cheie



Măturare/ON &OFF

- Apăsăți scurt pentru măturare/pauză
- Apăsăți lung 3s pentru ON/OFF
- Apăsăți lung 15s pentru închidere forțată în circumstanțe anormale

Reîncărcare/curățare locală

- Apăsăți scurt pentru reîncărcare/pauză
- Apăsăți lung pentru a începe curățarea locală

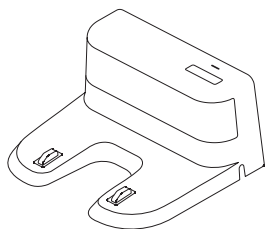
Indicator lumină

- Albastru: funcționare sau încărcare normală
- Roșu: condiții anormale sau baterie descărcată
- Mov: echipamentul nu este conectat la rețea

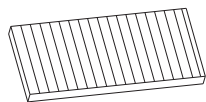
Resetare WiFi

- Apăsăți două butoane simultan timp de 3s

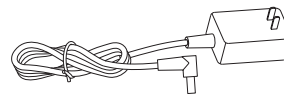
Lista pieselor



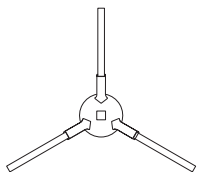
Bază încărcare x1



Filtru HEPA + filtru burete x1



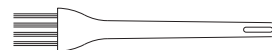
Adaptor x1



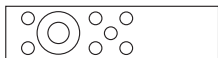
Perie stânga x2
Perie dreapta x2



Perie curățare cu cuțit x1 (opțional)

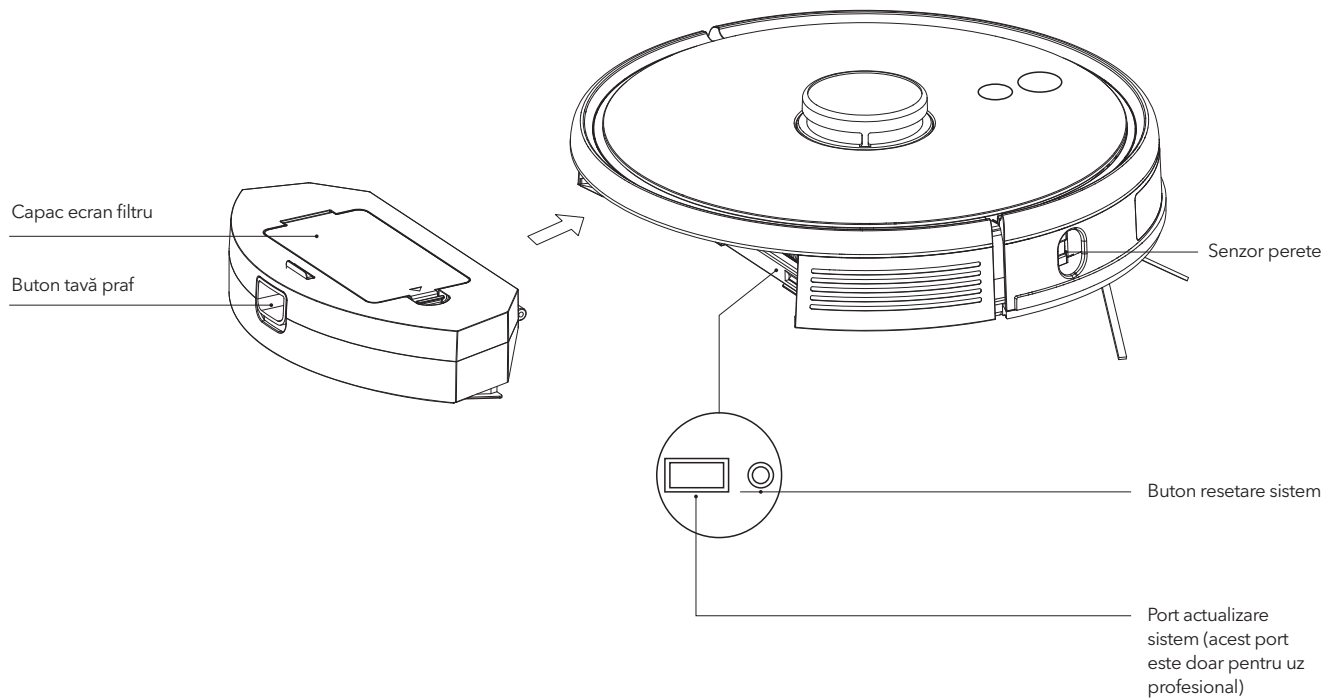


Perie curățare x1 (opțional)

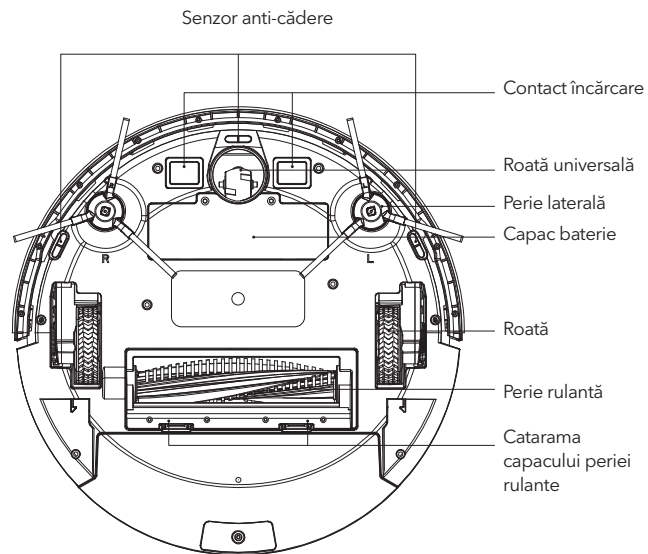
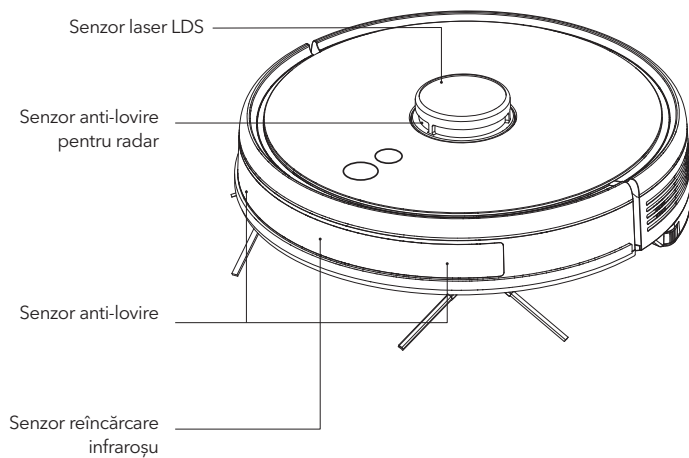


Telecomandă x1
(opțional)

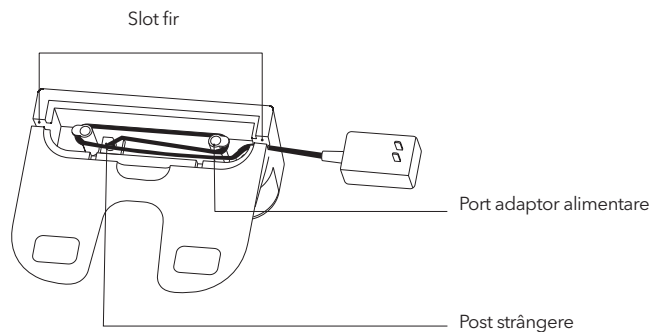
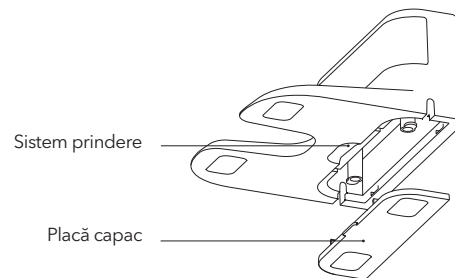
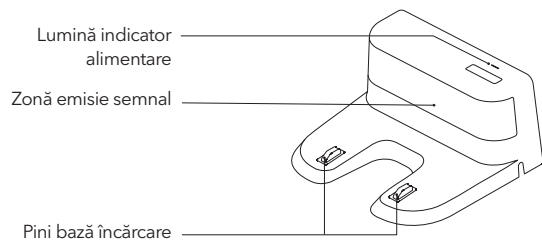
Robot



Senzor si structură

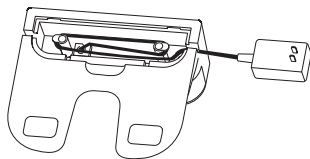


Baza de încărcare

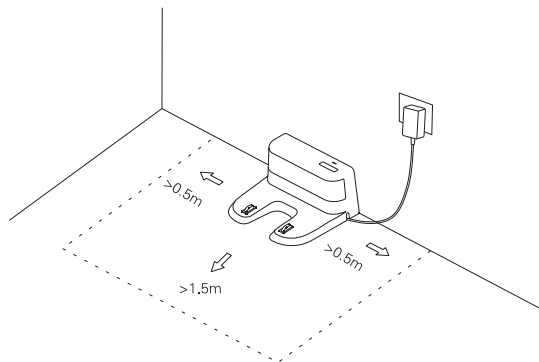


INSTALARE

1. Conectați linia de alimentare și strângeți cablul în exces în slot



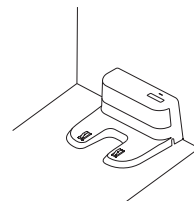
2. Așezați baza de încărcare la perete și conectați alimentarea



NOTĂ

- Asigurați un spațiu de peste 0,5 m pe ambele părți ale bazei de încărcare și un spațiu de peste 1,5 m în față
- Dacă linia de alimentare este verticală la sol, aceasta poate fi trasă de gazdă și, în consecință, baza de încărcare poate fi oprită
- Indicatorul de încărcare este în mod normal pornit și oprit când este încărcat

3. Vă rugăm să nu mutați baza de încărcare în mod arbitrar și să o țineți departe de lumina directă a soarelui

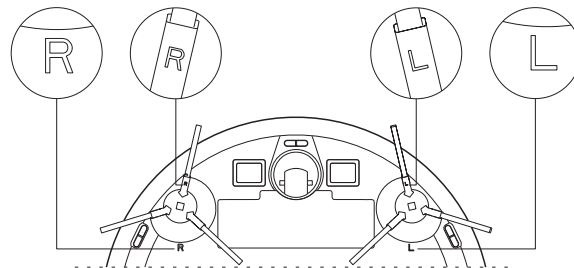


NOTĂ

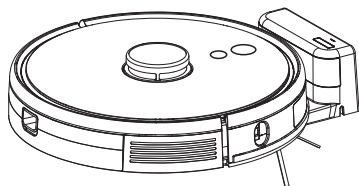
- Dacă baza de încărcare este mutată, gazda poate eșua în poziționare și poate pierde harta. La repornire, gazda va reconstrui și memora harta, iar harta reconstruită poate pierde informațiile de curățare a zonelor interzise și a altor zone
- Lumina directă a soarelui va interfera cu semnalul de reîncărcare și, în consecință, gazda ar putea să nu poată reveni la baza de încărcare

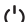
4. Instalarea periei laterale

Peria laterală stângă (L) și peria dreaptă (R) trebuie să corespundă cu L și R pe carcasa inferioară, apăsați L și R și periele laterale sunt instalate când auziți un pocnet.



5. Pornire și încărcare



Apăsăți lung  pentru a porni robotul. Încărcați robotul pe baza de încărcare atunci când indicatorul de alimentare este în mod normal aprins.

NOTĂ

Dacă robotul nu poate fi pornit din cauza bateriei descărcate, vă rugăm să încărcați robotul pe baza de încărcare și robotul va fi pornit automat. Robotul poate funcționa normal numai atunci când nivelul bateriei este $\geq 20\%$.

6. Conectați aplicația mobilă (acest pas poate fi omis)

Vă rugăm să consultați ghidul de conectare WiFi, apoi conectați aplicația mobilă

7. Începeți curățarea

După pornirea robotului, apăsați scurt tasta  sau utilizați aplicația mobilă pentru a începe curățarea (apăsăți orice buton pentru a face o pauză în timpul utilizării)

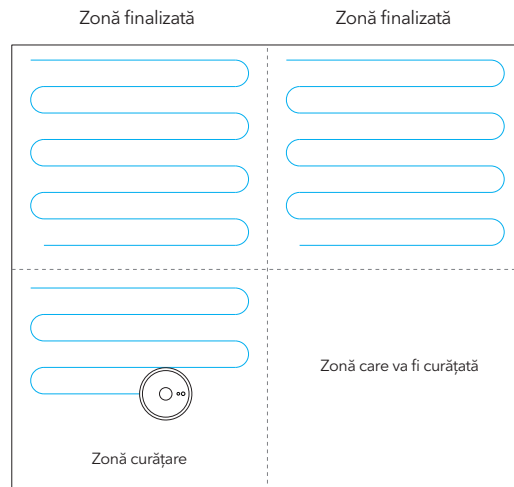
NOTĂ

- Robotul de măturat nu poate fi utilizat pentru îndepărtarea lichidelor
- Dacă nivelul bateriei este mai mic de 20, robotul nu poate funcționa. Vă rugăm să o încărcați
- Robotul va reveni automat la baza de încărcare dacă nivelul bateriei este mai mic de 20% și va fi oprit și va începe curățarea automat după ce nivelul bateriei atinge 80%
- Vă rugăm să strângeți diferite fire (inclusiv linia de alimentare a bazei de încărcare) de la sol înainte de utilizare, pentru a evita întreruperea și deteriorarea obiectelor sau a firelor atunci când firele sunt trase de gazdă.

INSTRUCȚIUNI

Mode de curățare

După pornirea robotului, acesta va scana și genera harta și o va împărți în zone. Apoi mătură de-a lungul peretelui în mod ordonat, eficient și temeinic și planifică traseul de curățare în formă de arc / S. Robotul va reveni automat la baza de încărcare după curățare.




NOTĂ

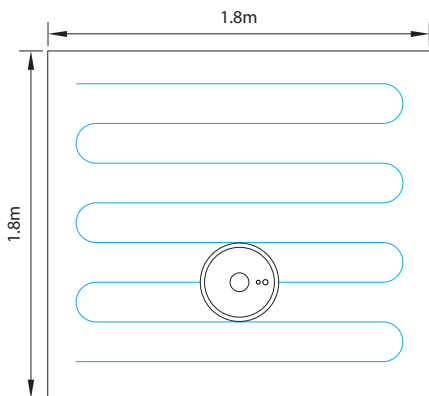
Nu mișcați robotul frecvent atunci când curăță. După mutare, puneți robotul în apropierea poziției inițiale. Când va începe din nou, va încerca să se re poziționeze. După poziționarea cu succes, va urma calea planificată și va continua să funcționeze. Dacă poziționarea eșuează, robotul va întrerupe misiunea anterioară, va face o hartă și va curăța din nou. Este posibil să nu găsească baza de încărcare.

Curățare pe loc

Când o zonă locală are nevoie de mai multă măturare, utilizatorul specifică un punct pe hartă în APP, robotul va conduce automat către vecinătatea punctului, va lua punctul ca centru și va curăța în limita a 1,5m x 1,5m

Curățare parțială

Când robotul nu poate fi controlat de aplicația mobilă, vă rugăm să îl scoateți în locul pe care doriți să îl curățați. Apăsăți lung butonul  timp de 3 secunde, iar robotul va curăța de două ori în limitele 1,8m x 1,8m



Curățarea zonei nedefinite de utilizator

Utilizați aplicația mobilă pentru a seta dimensiunea și locația zonei pe care doriți să o curățați. Puteți seta una sau mai multe zone. Robotul va curăța în funcție de zonele pe care le-ați setat.

Zonă interzisă

Setați una sau mai multe zone interzise utilizând aplicația mobilă. Robotul nu va mătura zonele interzise, ci alte zone.





- Robotul poate pătrunde în zona restricționată din cauza erorilor de poziționare, a senzorilor anormali și din alte motive.
- Zona închisă permanent poate deveni invalidă datorită schimbării poziției bazei de încărcare și a mobilierului. Prin urmare, vă rugăm să încercați să nu vă mișcați sau să nu interferați cu robotul în timpul curățării.
- Zona restricționată permanentă va fi pierdută atunci când harta este reconstruită

Curățare programată

Curățarea programată poate fi setată de aplicația mobilă. Robotul va începe curățarea automat la ora stabilită și va reveni la baza de încărcare după curățare.

Resetare WiFi

Dacă telefonul mobil nu poate fi conectat la robot din cauza modificării configurației routerului și a parolei sau din alte motive, vă rugăm să apăsați simultan tasta  și tasta  timp de 3 secunde până când apare un mesaj vocal „WiFi a fost resetat” și indicatorul luminos devine violet și pâlpâie încet.



Modul DND (nu deranjați)

Robotul nu va mătura podeaua și nici nu va emite sunete automat în modul DND. Timpul disponibil al modului DND poate fi pornit sau modificat folosind aplicația mobilă

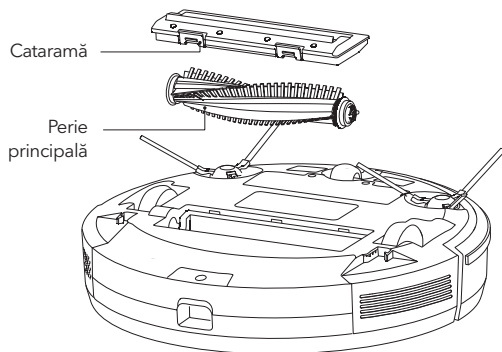
Ajustarea puterii de aspirare

Puteți ajusta puterea de aspirare la nivelul jos, standard sau mare prin aplicație.

ÎNTREȚINERE ZILNICĂ

Perie rulantă (curățați-o periodic)

1. Întoarceți robotul și apăsați catarama pe capacul periei rulante pentru a scoate peria rulantă
2. Îndepărtați praful în exterior și în interiorul periei de rulare folosind o perie mică și curățați peria de rulare
3. Reasamblați peria de rulare și apăsați strâns capacul periei de rulare pentru a fixa catarama

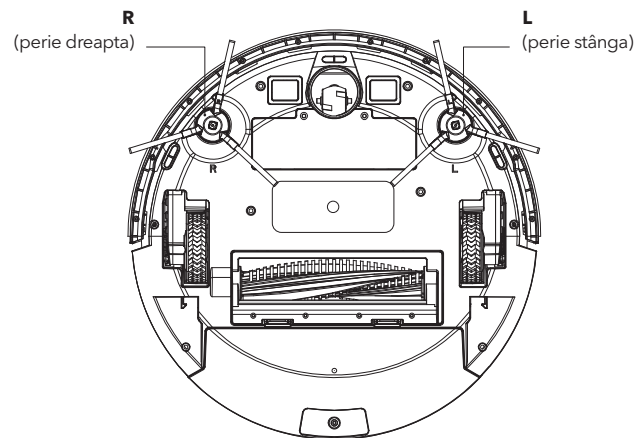


Perie laterală (curățați-o periodic)

1. Întoarceți robotul și trageți peria laterală în sus
2. Îndepărtați părul și murdăria și reasamblați peria laterală
3. Peria laterală stângă (L) și peria dreaptă (R) trebuie să corespundă cu L și R pe carcasa inferioară, apăsați L și R pentru a le reinstala

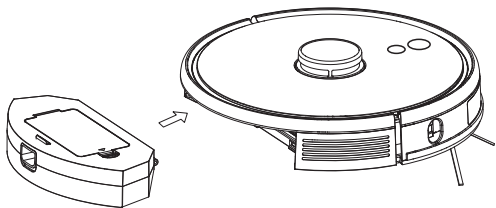


Înlocuiți peria laterală la fiecare 3-6 luni pentru a asigura efectul de curățare.

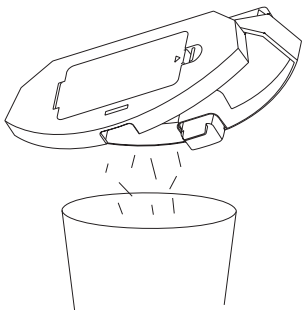


Cutie praf si ecran filtru (curățați periodic)

1. Apăsăți butonul si scoateți containerul

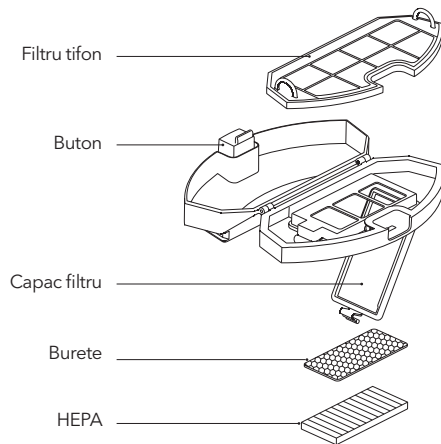


2. Deschideți si curățați containerul



Curățarea ecranului filtrului (curățați periodic)

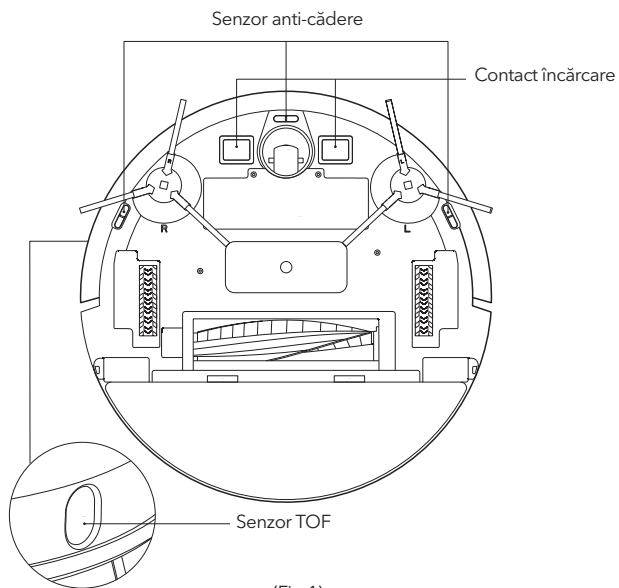
1. După o perioadă lungă de utilizare, îndepărtați tifonul filtrant, buretele și HEPA
2. Curățați sub apă tifonul îndepărtat, buretele și HEPA
3. Stoarceți picăturile de apă și uscați-le în mod natural, apoi folosiți-le după uscare completă
4. După uscare, montați la loc - filtrul, buretele - HEPA



Senzor (curățați periodic)

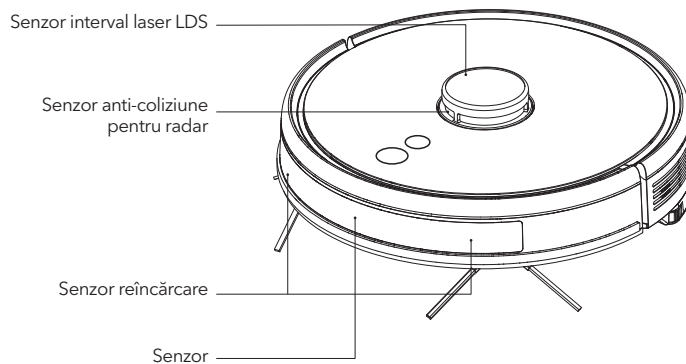
Curățați senzorii cu o cârpă moale, inclusiv:

1. Curățați senzorii de-a lungul peretelui în partea dreaptă
2. Trei senzori anti-cădere în partea inferioară a gazdei
3. Senzor de evitare infraroșu în fata gazdei
4. Senzor de evitare radar în partea de sus a gazdei
5. Protecție electrocutare și bază de încărcare în partea inferioară a gazdei (opriți alimentarea în timpul curățării)
6. Zonă transmisie semnal a bazei de încărcare

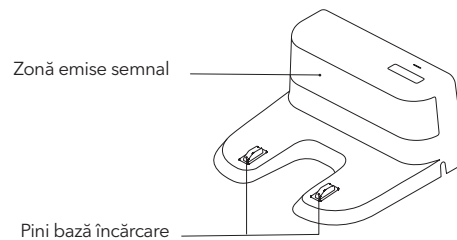


(Fig.1)

Senzor (curățați periodic)



(Fig.2)



(Fig.3)

Baterie

- Gazda este dotată cu baterii litiu-ion de înaltă performanță. Pentru a menține performanța bateriei, vă rugăm să mențineți gazda încărcată în utilizarea zilnică
- Dacă robotul este lăsat nefolosit mult timp, închideți-l și depozitați-l corespunzător. Încărcați-l cel puțin la fiecare 3 luni pentru a evita deteriorarea bateriilor din cauza descărcării excesive.

Upgrade de firmware

Actualizați firmware-ul utilizând aplicația mobilă. Dacă este detectat un nou firmware, actualizați-l în funcție de notificări. Nivelul bateriei ar trebui să fie $\geq 50\%$ în timpul actualizării firmware-ului, astfel încât robotul trebuie să fie așezat pe baza de încărcare

Resetarea sistemului

Scoateți cutia de praf, deschideți dopul de cauciuc și apăsați tasta Reset (consultați pagina 4). Harta actuală se va pierde și sincronizarea, WiFi și setările personalizate vor fi rezervate după resetare.

PROBLEME COMUNE

Problemă	Soluție
Robotul nu poate fi pornit	<ul style="list-style-type: none"> În cazul unui nivel scăzut al bateriei, așezați robotul pe baza de încărcare și aliniați-l la placa electrodului, robotul va fi pornit automat (dacă robotul este complet oprit, acesta poate fi pornit automat după încărcat pentru o perioadă) Dacă temperatura mediului este mai mică de 0 °C sau mai mare de 50 °C, vă rugăm să o utilizați la o temperatură de 0-40 °C
Robotul nu poate fi încărcat	<ul style="list-style-type: none"> Vă rugăm să îndepărtați robotul, să verificați dacă indicatorul luminos al bazei de încărcare se aprinde și să confirmați ambele capete din adaptorul de alimentare al bazei de încărcare sunt bine conectate În cazul unui contact slab, vă rugăm să ștergeți schijul bazei de încărcare și contactul de încărcare de pe robot sau împingeți peria laterală deoparte
Robotul nu poate fi reîncărcat	Robotul este prea departe de baza de încărcare, vă rugăm să puneți robotul lângă baza de încărcare și să încercați din nou
Comportament anormal	Opriti și reporniți robotul
Zgomot anormal la utilizare	Peria principală, peria laterală sau roata pot fi obținute de corpuri străine, vă rugăm să închideți robotul, îndepărtați peria principală și îndepărtați corpurile străine
Capacitatea de curățare scade sau praful cade	<ul style="list-style-type: none"> Cutia de praf este plină, vă rugăm să o curățați Ecranul filtrului este blocat, vă rugăm să ștergeți-l sau să îl înlocuiți Peria principală este împletită de materii străine, vă rugăm să îndepărtați peria principală și să îndepărtați corpurile străine
WiFi nu poate fi conectat	<ul style="list-style-type: none"> Semnalul WiFi este prost, asigurați-vă că este acoperit de semnal WiFi WiFi este conectat anormal, vă rugăm să resetați WiFi, descărcați cea mai recentă aplicație și încercați să o reconectați Parola este introdusă incorect Routerul este disponibil pentru banda de frecvență 5G, robotul de curățare este disponibil doar pentru banda de frecvență 2.4G
Curățarea la oră fixă eșuează	În cazul unui nivel scăzut al bateriei, curățarea cu oră fixă poate fi pornită numai atunci când nivelul bateriei nu este mai mic de 30%
Dacă robotul consumă energie dacă este întotdeauna plasat pe baza de încărcare	Robotul consumă puțină energie dacă este întotdeauna plasat pe baza de încărcare și permite cea mai bună performanță a bateriei
Dacă robotul trebuie încărcat timp de 16 ore pentru primele trei ori	Bateria cu litiu poate fi folosită imediat după încărcare și nu are efect de memorie

DEPANARE

Notificare	Soluție
Error 1: I cannot find the dust collector	Curățarea este declanșată atunci când cutia de praf este scoasă
Error 2: Please check if the radar on top has been covered or blocked	Radarul superior este acoperit sau plasat într-o zonă deschisă (nu există obstacol într-o zonă de 6×6m2)
Error 3: Please place me in a new location and try again	Ridicați robotul sau mutați-l în altă locație
Error 4: Please clean the cliff sensor, and restart me from a new location	Senzorul de stâncă este acoperit sau plasat la înălțime
Error 5: Please clean the front sensor, and restart me from a new location	Senzorul de evitare a infraroșului este murdar sau acoperit
Error 6: Please clean the right-hand sensor, and restart me from a new location	Senzorul de perete este murdar sau acoperit
Error 7: Please clean the radar housing on top, and restart me from a new location	Senzorul de evitare a radarului este murdar sau acoperit
Error 8: Please check if the bumper has been blocked in some way	Senzorul de margine sau de coliziune este blocat
Error 9: Please clean the dust container and filter	Cutia de praf este plină sau ecranul filtrului trebuie înlocuit
Error 10: Dust container has been removed, please clean the container and filter	După ce eroarea 9 este emisă, utilizatorul scoate camera de conductă și eroarea 10 este declanșată
Error 11: I'm stuck	Robotul este blocat
Error 12: Please place me correctly!	Robotul este înclinat
Error 13: Please check if my wheels have become blocked somewhere	Roata motoare este blocată sau răsucită, vă rugăm să îndepărtați corpurile străine
Error 14: Please check if the main brush has become stuck	Peria principală este răsucită sau blocată, vă rugăm să o îndepărtați și să îndepărtați corpurile străine
Error 15: Please check if the side brushes has become stuck	Peria laterală este răsucită sau blocată, vă rugăm să o îndepărtați și să îndepărtați corpurile străine
Error 16: Where is the docking station	Baza de încărcare nu poate fi găsită sau nu este conectată
Error 17: Program error, please restart me	Anomaliile sunt cauzate de o defecțiune necunoscută, reporniți robotul
Error 18: Error encountered initiating shutdown	Robotul reamintește utilizatorului și se oprește automat sau este reîncărcat
Error 19: Low battery, please recharge	Când nivelul bateriei este prea scăzut și robotul nu se află pe baza de încărcare, curățarea este declanșată (nivelul bateriei este mai mic de 10%)
Error 20: Remove from charging station for power off	Robotul se oprește când este încărcat pe baza de încărcare

CONȚINUTUL SI DENUMIREA SUBSTANȚELOR PERICULOASE

Substanță periculoasă	Denumire piesă					
	Carcasă plastic	Circuit	Linie alimentare	Baterie	Piese metalice	Adaptor
Plumb (Pb)	○	×	×	×	○	×
Mercur (Hg)	○	○	○	○	○	○
Cadmium (Cd)	○	○	○	○	○	○
Crom VI (Cr (VI))	○	○	○	○	○	○
Bifenili polibromurați PBB	○	○	○	○	○	○
Difenil eteri polibromurați (PBDE)	○	○	○	○	○	○

○: înseamnă că conținutul de substanțe periculoase și nocive din componentă este mai mic decât limita stipulată de SJ/T11363-2006

×: înseamnă că conținutul de substanțe periculoase și nocive din componentă depășește limita prevăzută de SJ/T11363-2006



NOTĂ

Conținutul de plumb al câtorva componente electronice pentru uz special (cum ar fi rezistor de înaltă tensiune, rezistor ceramic și diodă etc.) în „X” din tabel poate fi mai mare de 0,1%. Miezul bolțului și conținutul de plumb din aliaj de înaltă performanță conținut în cablul USB pot fi, de asemenea, mai mari de 0,1%. Astfel de componente respectă clauzele de exceptare ale ROHS UE. Pentru tehnologiile și componentele care nu pot fi înlocuite din cauza restricțiilor la nivelul dezvoltării tehnologice, conținutul de plumb al elementelor de contact externe este conform cu cerințele de protecție a mediului.

INFORMAȚII DE SIGURANȚĂ

Limitări de utilizare

- Produsul este utilizat doar pentru curățarea podelei într-un mediu casnic și nu poate fi utilizat în exterior (cum ar fi terasa deschisă), fără sol (cum ar fi canapea) și în mediu comercial sau industrial
- Vă rugăm să nu utilizați produsul în spații aeriene (cum ar fi penthouse, terasă deschisă și mobilier) fără gard de protecție
- Vă rugăm să nu utilizați produsul la o temperatură de peste 40° C sau sub 0° C sau atunci când pe sol există lichide și substanțe lipicioase
- Vă rugăm să agățați cablurile de pe sol înainte de utilizare, pentru a evita să fie prinse de gazdă
- Vă rugăm să curățați obiectele fragile și impuritățile (cum ar fi vaza și punga de plastic etc.) de pe sol, astfel încât să evitați deteriorarea obiectelor de valoare atunci când gazda este blocată
- Persoanelor cu tulburări fizice, spirituale sau de percepție (inclusiv copii) nu li se permite folosirea produsului
- Copiii nu pot folosi produsul ca jucărie. Vă rugăm să țineți copiii și animalele de companie departe când gazda lucrează
- Vă rugăm să nu păstrați peria principală și alte instrumente de curățare la îndemâna copiilor
- Vă rugăm să nu așezați obiecte (inclusiv copii și animale de companie) pe o mașină staționară sau în mișcare.
- Vă rugăm să țineți părul, degetele și alte părți ale corpului uman sau animalele de companie departe de orificiul de aspirare atunci când robotul funcționează
- Vă rugăm să nu utilizați produsul pentru a mătura obiecte arse (cum ar fi mucurile de țigări)
- Vă rugăm să nu utilizați produsul pentru a curăța covorul cu păr lung (este posibil ca unele covoare să nu fie curățate normal)
- Vă rugăm să împiedicați gazda să aspire obiecte dure sau ascuțite (cum ar fi deșeurile de materiale decorative, bucăți de sticlă și fier etc.)
- Vă rugăm să nu mișcați robotul ținând de capacul protector al senzorului de distanță laser și de bara de protecție pentru coliziune
- Vă rugăm să curățați sau să întrețineți gazda și baza de încărcare în stare de oprire
- Vă rugăm să nu ștergeți nicio parte a produsului cu cârpă umedă sau lichid
- Vă rugăm să utilizați produsul conform manualului de utilizare. Utilizatorul va fi responsabil pentru orice daune și vătămări cauzate de o utilizare necorespunzătoare
- Vă rugăm să nu utilizați funcția de curățare rezervorului de apă atunci când robotul este încărcat

Baterie și încărcare

- Vă rugăm să nu utilizați bateria, baza de încărcare sau încărcătorul furnizat de terți
- Vă rugăm să nu demontați, raportați sau remontați bateria sau baza de încărcare în mod arbitrar
- Vă rugăm să păstrați baza de încărcare departe de sursa de căldură (cum ar fi placa de încălzire)
- Vă rugăm să nu ștergeți sau să nu curățați șrapnelul de bază de încărcare folosind o cârpă umedă sau o mână umedă
- Vă rugăm să nu abandonați bateriile uzate în mod arbitrar. Bateriile uzate trebuie aruncate de o agenție de reciclare profesională
- Dacă linia de alimentare este deteriorată sau întreruptă, vă rugăm să o dezafecți imediat și să o înlocuiți prin canalele oficiale
- Vă rugăm să vă asigurați că gazda se oprește în timpul transportului și produsul trebuie transportat în ambalajul original
- Dacă robotul este lăsat nefolosit mult timp, acesta trebuie încărcat complet și apoi depozitat într-un loc răcoros și uscat. Încărcați robotul cel puțin o dată la 3 luni pentru a evita deteriorarea bateriilor din cauza descărcării excesive

Informații siguranță laser

- Senzorul de distanță laser al produsului respectă standardul pentru produsele laser clasa 1 din IEC60825 și nu produce radiații laser periculoase

Manualul de utilizare al aplicației Smart WiFi poate fi găsit la:
<https://tesla.info/wp-content/uploads/pdf/TeslaVCR600Wapp.pdf>



Samo za uporabo v gospodinjstvu.
Pred uporabo natančno preberite ta navodila.

Hvala, ker ste izbrali pametni robotski sesalnik.

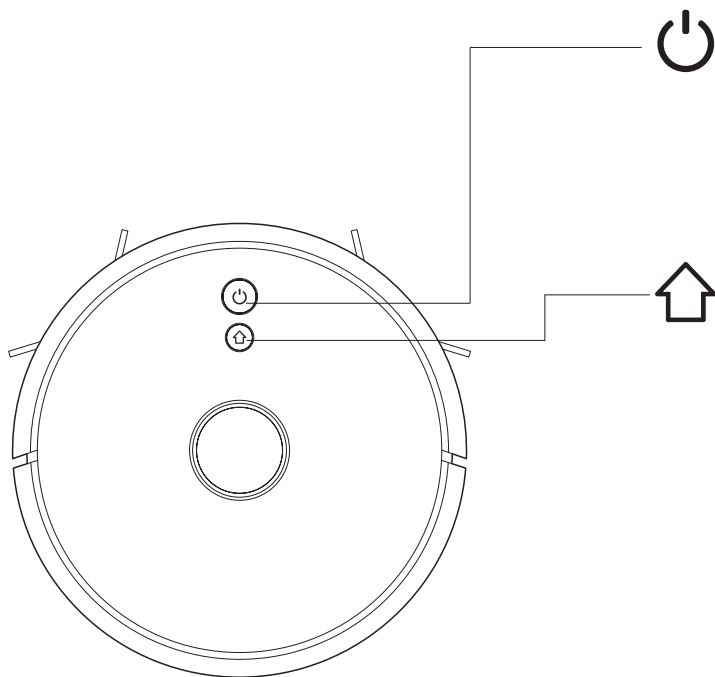
Gre za visokokakovostnega robota za čiščenje z inteligentnim načrtovanjem, pri katerem radar z visoko točnostjo in različni senzorji sodelujejo prek algoritma za krmarjenje, ki lahko nariše zemljevid sobe v realnem času, načrtuje pot čiščenja in ima funkcije samodejnega čiščenja in samodejnega polnjenja brez ročnega posredovanja. Ima ultravisoko moč sesanja, veliko posodo za prah v obliki predala, sito filtra HEPA, ki ga je mogoče prati, in razstavljivi modul za pomivanje tal ter učinkovit način čiščenja, pri katerem tla najprej očisti in nato pomije.

S pametnim telefonom lahko prenesete aplikacijo, da v njej v realnem času preverite zemljevid čiščenja in stanje delovanja robota, ter opredelite območje in časovni načrt čiščenja. Robota lahko nadzorujete na daljavo. Znanost in tehnologija izboljšata življenje.

Želimo vam prijetno uporabniško izkušnjo.

PREDSTAVITEV IZDELKA

Ključne funkcije



Pometanje/VKLOP IN IZKLOP

- Za pometanje/začasno zaustavitev pritisnite kratko.
- Za VKLOP/IZKLOP pritisnite dolgo (držite 3 sekunde).
- Za vsiljeno zaustavitev v nenormalnih pogojih pritisnite dolgo (držite 15 sekund).

Polnjenje/lokalno čiščenje

- Za polnjenje/začasno zaustavitev pritisnite kratko.
- Za začetek lokalnega čiščenja pritisnite dolgo.

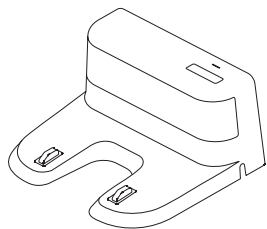
Indikatorska lučka

- Modra: normalno delovanje ali polnjenje.
- Rdeča: nenormalno stanje ali izpraznjena baterija.
- Škratna: oprema ni povezana v omrežje.

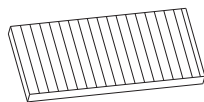
Ponastavitev Wi-Fi

- Gumba pritisnite hkrati in ju držite 3 sekunde.

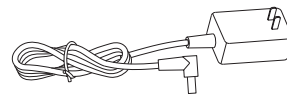
Seznam



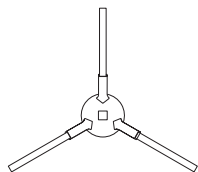
Polnilni podstavek x 1



Filter HEPA + filter v obliki gobice x 1



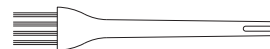
Adapter x 1



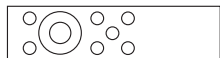
Leva krtača x 2
Desna krtača x 2



Krtača za čiščenje z nožem x 1 (izbirno)

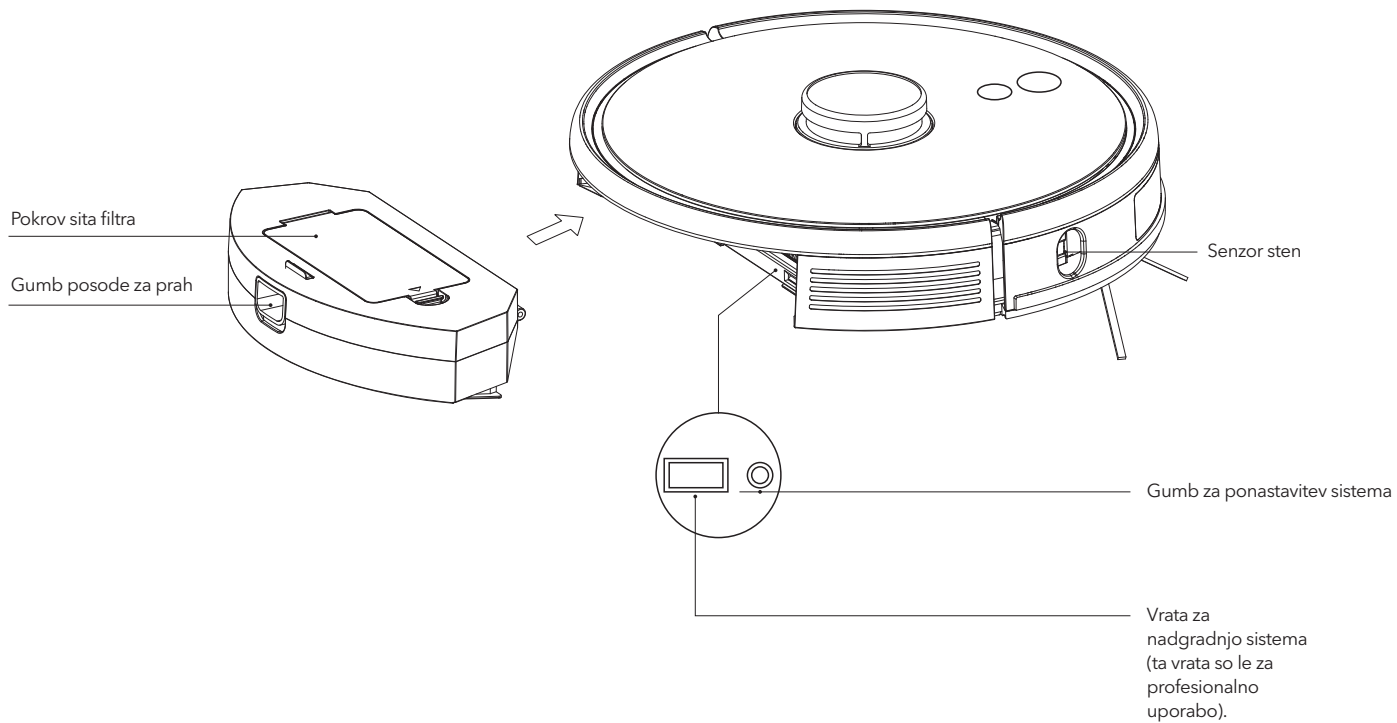


Krtača za čiščenje x 1 (izbirno)

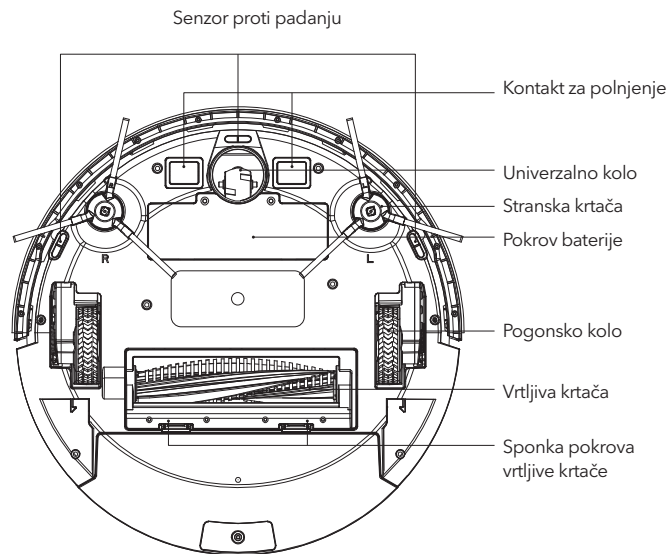
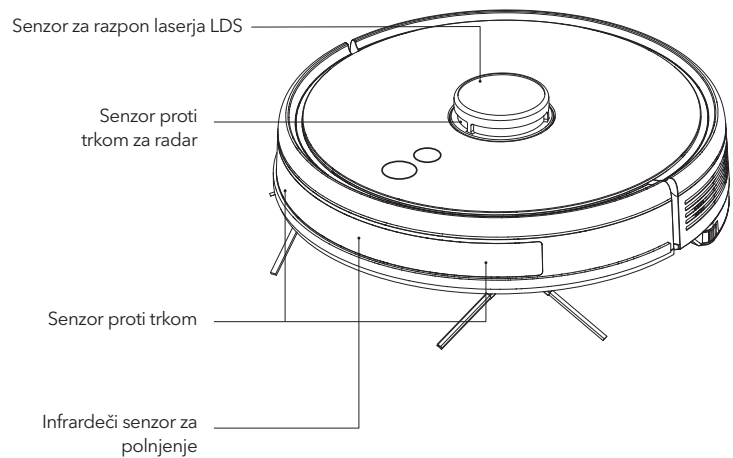


Daljinski upravljalnik x 1
(izbirno)

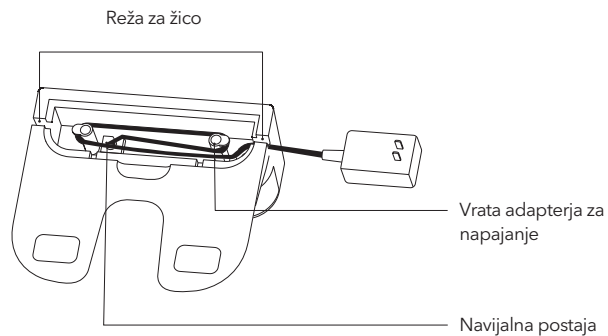
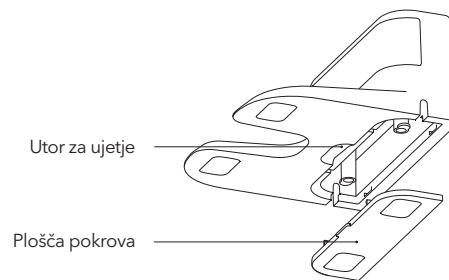
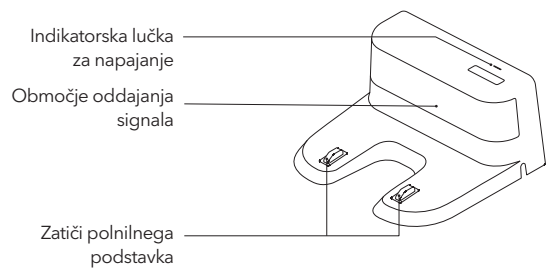
Robot



Senzori in struktura

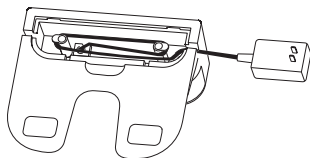


Polnilni

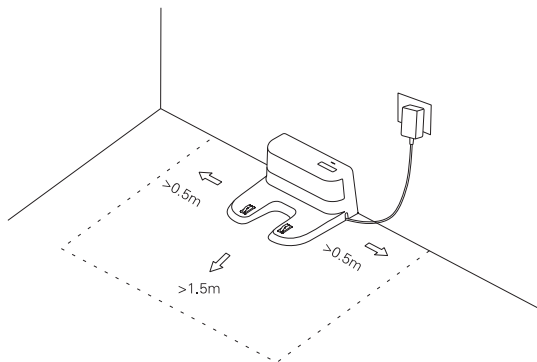


NAMESTITEV

1. Priključite napajalni vod in potisnite odvečni del kabla v režo.



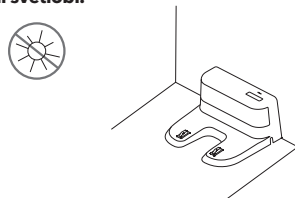
2. Namestite polnilni podstavek ob steno in priključite napajanje.



OPOMBA

- Na obeh straneh polnilnega podstavka pustite 0,5 m prostora, spredaj pa več kot 1,5 m
- Če je napajalni vod usmerjen navpično na tla, ga gostitelj lahko vleče in polnilni podstavek bi se zato lahko odklopil z napajanja.
- Indikator polnjenja je pri vklopu običajno vklopljen, pri polnjenju pa izklopljen.

3. Polnilnega podstavka ne premikajte arbitrarno in pazite, da ne bo izpostavljen neposredni sončni svetlobi.

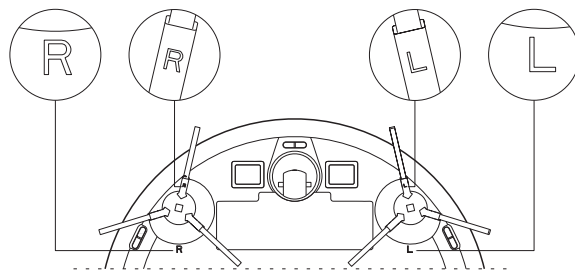


OPOMBA

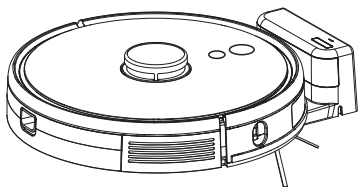
- Če bi polnilni podstavek premaknili, lahko gostitelj neuspešno določi položaj in izgubi zemljevid. Ob ponovnem zagonu bo gostitelj ponovno zgradil in si zapomnil zemljevid, na ponovno zgrajenem zemljevidu pa bodo informacije o čiščenju prepovedanih in drugih območjih morda izgubljene.
- Neposredna sončna svetloba moti signal za polnjenje, zato se gostitelj morda ne bo mogel vrniti na polnilni podstavek.

4. Namestitev stranske krtače

Leva krtača (L) in desna krtača (R) naj ustrežata oznakama L in R na spodnjem ohišju; če pritisnete L in R, se bosta stranski krtači začeli nameščati, dokler ne boste zaslišali pokajočega zvoka.



5. Zagon in polnjenje



Za vklop robota dolgo pritisnite . Robota na polnilnem podstavku polnite, ko indikatorna lučka normalno sveti.


OPOMBA

Če zaradi izpraznjene baterije robota ni mogoče zagnati, ga napolnite na polnilnem podstavku in zagnal se bo samodejno. Robot lahko normalno deluje le, če je raven napolnjenosti baterije $\geq 20\%$.

6. Povežite mobilno aplikacijo (ta korak lahko preskočite)

Glejte navodila za povezavo Wi-Fi in nato povežite mobilno aplikacijo.

7. Začetek čiščenja

Ko je robot vklopljen, na kratko pritisnite tipko  na robotu ali pa uporabite mobilno aplikacijo, da zaženete čiščenje (če želite robota med uporabo začasno zaustaviti, pritisnite kateri koli gumb).

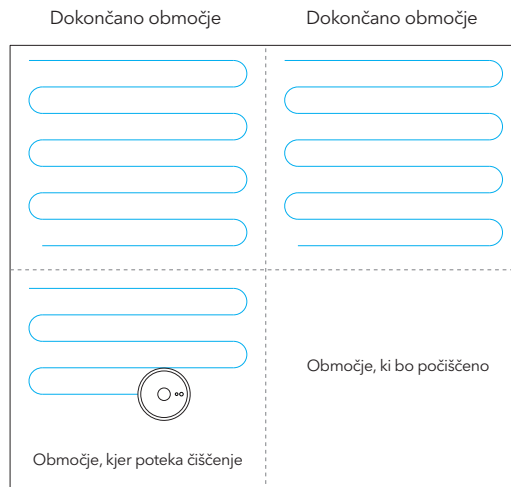
OPOMBA

- Robota za pometanje ni mogoče uporabiti za odstranjevanje tekočin.
- Če je raven napolnjenosti baterije manjša od 20, robot ne more delovati. Napolnite ga.
- Robot se bo samodejno vrnil na polnilni podstavek, ko bo raven napolnjenosti baterije pri uporabi manjša od 20 %, napajanje pa se bo izklopilo in začelo se bo samodejno čiščenje, ko bo raven napolnjenosti baterije dosegla 80 %.
- Pred uporabo umaknite različne kable (vključno z napajalnim vodom polnilnega podstavka) s tal, tako da preprečite izpad napajanja ter poškodbe predmetov ali kablov, do česar bi prišlo, ko bi gostitelj vlekel kable za seboj.

NAVODILA

Način čiščenja

Ko je robot vklopljen, bo optično prebral prostor in general zemljevid ter ga inteligentno razdelil na območja. Nato bo vzdolž stene vsako območje posebej urejeno, učinkovito in temeljito pometel ter načrtoval pot čiščenja v obliki pentlje/črke S. Po čiščenju se bo robot samodejno vrnil na polnilni podstavek.



OPOMBA


Ko robot čisti, ga ne premikajte arbitrarno in pogosto. Ko ga premaknete, ga postavite v bližino prvotnega položaja. Ko začne znova, bo poskušal znova določiti svoj položaj. Ko uspešno določi položaj, bo sledil načrtovani poti in nadaljeval delo.

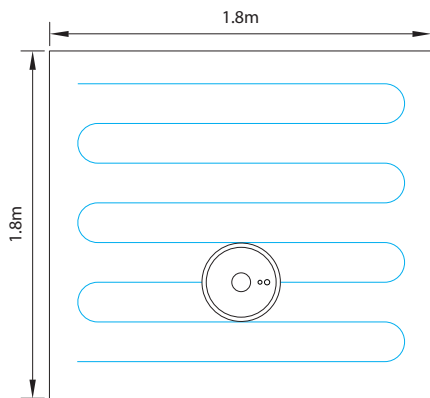
Če ne bo uspel določiti položaja, bo prekinil prejšnjo nalogo, izdelal zemljevid in začel čistiti znova. Morda celo ne bo našel polnilnega podstavka.

Točkovno

Ko je treba lokalno območje globinsko pomesti, uporabnik v aplikaciji določi točko na zemljevidu, robot pa se bo samodejno odpeljal v bližino točke, jo vzel za središče in očistil območje okrog nje, veliko 1,5 m x 1,5 m.

Delno čiščenje

Če robota ni mogoče nadzirati z mobilno aplikacijo, ga premaknite na mesto, kjer želite, da čisti. Gumb  pritisnite dolgo - 3 sekunde - in robot bo v območju 1,8 m x 1,8 m počistil dvakrat, pri čemer bo osredinjen nase.



Uporabniško določeno območje čiščenja

Z mobilno aplikacijo določite velikost in mesto območja, ki ga želite očistiti. Nastavite lahko eno ali več območij. Robot bo čistil v skladu z nastavljenimi območji.

Omjeno

Z mobilno aplikacijo nastavite enega ali več prepovedanih območij. Robot ne bo pometal prepovedanih območij, ampak druga.



OPOMBA

- Robot lahko zaradi napak pri določanju položaja, okvarjenih senzorjev in drugih razlogov zaide v prepovedano območje.
- Trajno zaprto območje lahko postane neveljavno zaradi večje spremembe položaja polnilnega ležišča in pohištva. Zato robota med čiščenjem čim manj premikajte in motite.
- Pri ponovni izdelavi zemljevida je trajno omejeno območje izgubljeno.

Časovno načrtovanje čiščenja

Čiščenje lahko časovno načrtujete z mobilno aplikacijo. Robot bo začel samodejno čistiti v navedenem času in se po čiščenju vrnil na polnilni podstavek.

Ponastavitev Wi-Fi

Če mobilnega telefona zaradi spremembe konfiguracije in gesla usmerjevalnika ali iz drugih razlogov ni mogoče povezati z robotom, hkrati pritisnite tipki  in  ter ju držite 3 sekunde, dokler ne zaslišite glasovnega poziva „Wi-Fi has been reset“ (Povezava Wi-Fi je ponastavljena) ter dokler indikatorska lučka ne zasveti škrlatno in začne počasi utripati.



Način DND (do not disturb (ne moti))

V načinu DND robot ne bo samodejno pometel tal in ne bo oddal glasu. Razpoložljivi čas načina DND je lahko zagonski ali spremenjeni prek mobilne aplikacije.

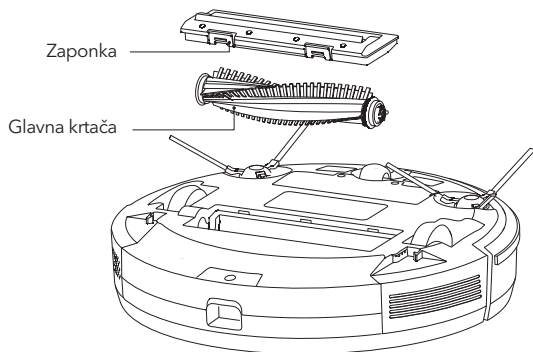
Prilagoditev moči sesanja

Moč sesanja lahko z mobilno aplikacijo nastavite na tiho, standardno in visoko raven.

VSAKODNEVNO VZDRŽEVANJE

Vrtljiva krtača (redno jo čistite)

1. Robota obrnite na hrbet in pritisnite zaponko na pokrovu vrtljive krtače, da boste izvlekli vrtljivo krtačo.
2. Da očistite vrtljivo krtačo, z majhno ščetko odstranite prah na zunanji in notranji strani te krtače.
3. Znova sestavite vrtljivo krtačo in rahlo pritisnite njen pokrov, da pritrдите zaponko.

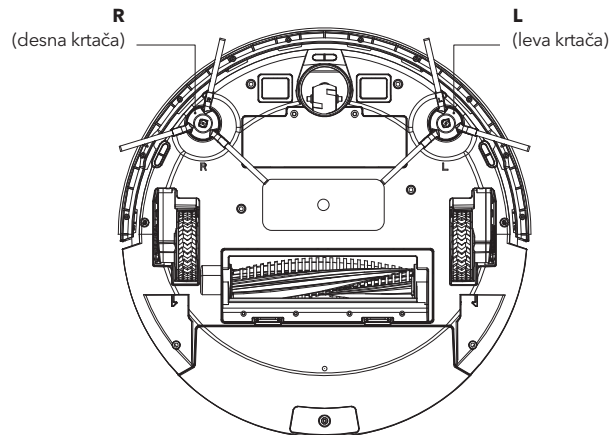


Stranska krtača (redno jo čistite)

1. Obrnite robota na hrbet in povlecite stransko krtačo navzgor.
2. Odstranite lase in umazanijo ter stransko krtačo znova sestavite.
3. Leva krtača (L) in desna krtača (R) naj ustrežata oznakama L in R na spodnjem ohišju; pritisnite L in R, da krtači znova namestite.

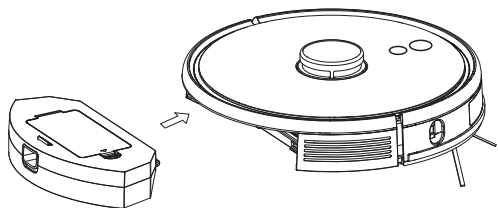
OPOMBA

Da bo učinek čiščenja večji, stranske krtače zamenjajte vsakih 3-6 mesecev.

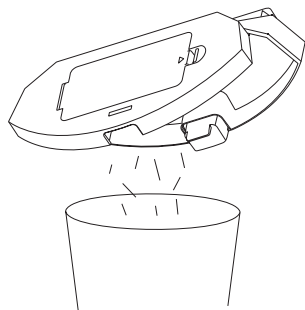


Posoda za prah in sito filtra (redno ju čistite)

1. Pritisnite gumb in posodo za prah povlecite nazaj.

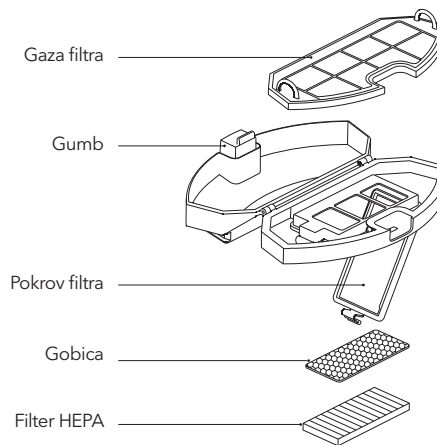


2. Odprite in očistite posodo za prah.



Čiščenje sita filtra (redno ga čistite)

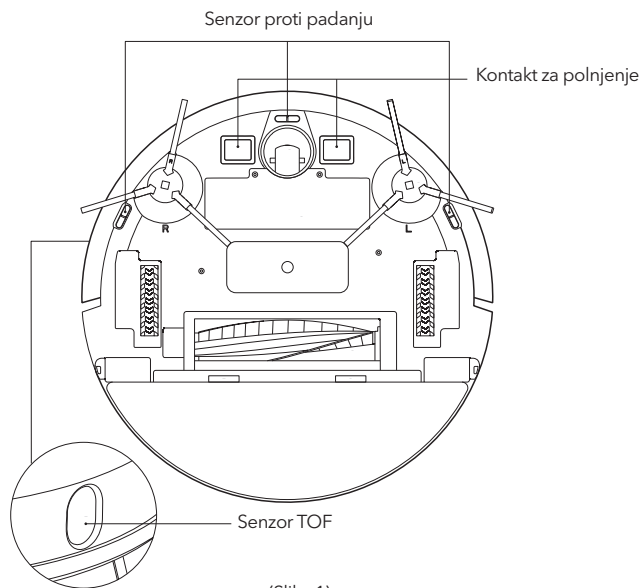
1. Po daljšem času uporabe odstranite gazo filtra, gobico in filter HEPA.
2. Z vodo očistite odstranjeno gazo filtra, gobico in filter HEPA.
3. Otrсите vodne kapljice in pustite, da se gaza filtra, gobica in filter HEPA naravno posušijo, nato pa jih uporabite, ko bodo popolnoma suhi.
4. Ko bodo suhi, jih namestite nazaj v pravilnem zaporedju: gaza filtra - gobica - filter HEPA.



Senzor (redno ga čistite)

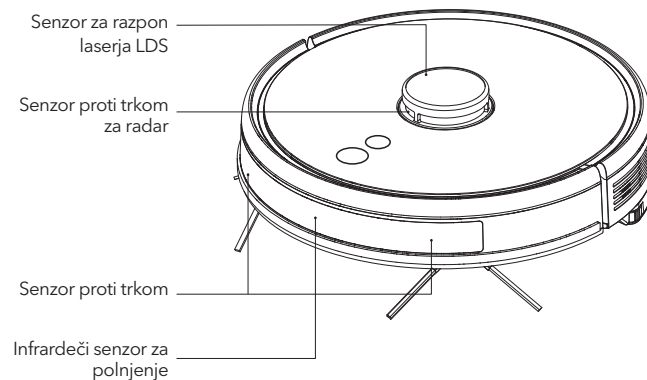
Z mehko krpo očistite senzorje; vključite naslednje:

1. senzorje vzdolž stene na desni strani,
2. tri senzorje proti padanju na dnu gostitelja,
3. infrardeči senzor za izogibanje na sprednjem delu gostitelja,
4. radarski senzor za izogibanje na vrhu gostitelja,
5. element za zaščito pred električnim udarom in kontakt polnilnega podstavka na dnu gostitelja (med čiščenjem odklopite napajanje),
6. območje prenosa signala polnilnega podstavka.

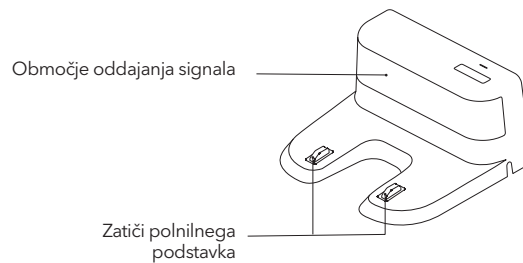


(Slika 1)

Senzor (mesečno čiščenje)



(Slika 2)



(Slika 3)

Baterija

- Gostitelj je opremljen z visoko zmogljivimi litij-ionskimi baterijami. Zaradi vzdrževanja zmogljivosti baterije naj bo gostitelj pri vsakodnevni uporabi napolnjen.
- Če robota dlje časa ne uporabljate, ga izklopite in pravilno shranite. Vsaj vsake 3 mesece ga napolnite, da se baterije zaradi prekomernega praznjenja ne bi poškodovale.

Posodobitev vdelane programske opreme

Vdelano programsko opremo posodobite z aplikacijo. Če je zaznana nova programska oprema, jo na poziv posodobite. Med posodobitvijo vdelane programske opreme mora raven napolnjenosti energije znašati $\geq 50\%$, tako da je treba robota postaviti na polnilni podstavek.

Ponastavitev sistema

Odstranite posodo za prah, odprite gumijasti vtič in pritisnite tipko za ponastavitev (glejte stran 4). Trenutni zemljevid bo izgubljen, časovno načrtovanje, povezava Wi-Fi in personalizirane nastavitve pa bodo po ponastavitvi ohranjene.

OBIČAJNE TEŽAVE

Ton poziva	Rešitev
Robot ni mogoče zagnati	<ul style="list-style-type: none"> • V primeru nizke ravni baterije postavite robota na polnilno podlago in ga poravnajte z elektrodno ploščo, robot se bo samodejno zagnal (če je robot popolnoma izklopljen, se lahko samodejno zažene po zaračunan nekaj časa) • Če je temperatura okolja nižja od 0 °C ali višja od 50 °C, jo uporabite pri temperaturi 0-40 °C
Robot ni mogoče polniti	<ul style="list-style-type: none"> • Please move the robot away, check whether the indicator light of the charging base lights on and confirm both ends of the power adapter of the charging base are connected well • In case of poor contact, please clear the charging base shrapnel and the charging contact on the robot or push the side brush aside
Robot ni mogoče napolniti	Robot je predaleč od polnilne baze. Postavite robota blizu polnilne baze in poskusite znova
Nenormalno vedenje	Zaustavite in znova zaženite robota
Nenormalen hrup pri uporabi	Tujki lahko dobijo glavno krtačo, stransko krtačo ali kolo, izklopite robota, odstranite glavno krtačo in odstranite tujke
Zmožnost čiščenja se zmanjša ali prah pade ven	<ul style="list-style-type: none"> • Posoda za prah je polna, počistite jo • Filterski zaslon je blokirani, ga počistite ali zamenjajte • Glavna krtača je prepletena s tujki, prosimo, odstranite glavno krtačo in odstranite tujke
WiFi ni mogoče povezati	<ul style="list-style-type: none"> • WiFi signal je slab, poskrbite, da ga pokriva signal WiFi • WiFi je povezan nenormalno, ponastavite WiFi, prenesite najnovjšo APP in jo poskusite znova povezati • Geslo je vneseno napačno • Usmerjevalnik je na voljo za frekvenčni pas 5G, čistilni robot je na voljo samo za frekvenčni pas 2,4G
Čiščenje v določenem času ne uspe	V primeru nizkega nivoja baterije se lahko s čiščenjem za določen čas začne le, ko je nivo baterije najmanj 30 %
Ali robot porablja energijo, če je vedno nameščen na polnilni podstavek	Robot porabi malo energije, če je vedno nameščen na polnilni podstavek in omogoča najboljšo zmogljivost baterije
Ali je treba robota prve trikrat polniti 16 ur	Litijeva baterija se lahko uporablja takoj po polnjenju in nima spominskega učinka

ODPRAVLJANJE

Ton poziva	Rešitev
Napaka 1: Ne najdem zbiralnika prahu	Čiščenje se sproži, ko vzamete posodo za prah
Napaka 2: Preverite, ali je radar na vrhu pokrit ali blokiran	Zgornji radar je pokrit ali nameščen na odprtem območju (na območju 6×6m2 ni ovir)
Napaka 3: Prosim, postavite me na novo lokacijo in poskusite znova	Dvignite robota ali ga premaknite na drugo lokacijo
Napaka 4: Očistite senzor pečine in me znova zaženite z nove lokacije	Senzor pečine je pokrit ali nameščen na višini
Napaka 5: očistite sprednji senzor in me znova zaženite z nove lokacije	Infrardeči senzor za izogibanje je umazan ali pokrit
Napaka 6: očistite desni senzor in me znova zaženite z nove lokacije	Stenski senzor je umazan ali pokrit
Napaka 7: očistite ohišje radarja na vrhu in me znova zaženite z nove lokacije	Senzor radarskega izogibanja je umazan ali pokrit
Napaka 8: Preverite, ali je odbijač na nek način blokiran	Senzor roba ali trka je zataknen
Napaka 9: Očistite posodo za prah in filter	Posoda za prah je polna ali pa je treba zamenjati filtrsko sito
Napaka 10: Posoda za prah je bila odstranjena, očistite posodo in filter	Ko se izda napaka 9, uporabnik odstrani komoro kanala in sproži se napaka 10
Napaka 11: Obtičal sem	Robot je obtičal
Napaka 12: Prosim, postavite me pravilno!	Robot se nagiba
Napaka 13: Prosim preverite, ali so se moja kolesa kje blokiral	Pogonsko kolo je zataknjeno ali zvito, odstranite tujke
Napaka 14: Preverite, ali se je glavna krtača zataknila	Glavna krtača je zvita ali zataknjena, jo odstranite in odstranite tujke
Napaka 15: Preverite, ali so se stranske ščetke zataknil	Stranska krtača je zvita ali zataknjena, jo odstranite in odstranite tujke
Napaka 16: Kje je priklonpa postaja	Podstavka za polnjenje ni mogoče najti ali pa ni priključena
Napaka 17: Napaka programa, prosim, znova me zaženite	Nenormalnosti so posledica neznane okvare, znova zaženite robota
Napaka 18: Pri začetku zaustavitve je prišlo do napake	Robot opozori uporabnika in se samodejno izklopi ali se napolni
Napaka 19: Nizka baterija, napolnite jo	Ko je nivo baterije prenizek in robot ni na polnilni postaji, se sproži čiščenje (napolnjenost baterije je nižja od 10%)
Napaka 20: Odstranite iz polnilne postaje za izklop	Robot se izklopi, ko se napolni na polnilni bazi

VSEBNOST IN IME NVARNIH SNOVI

Nevarne snovi	Ime dela					
	Plastično ohišje	Tiskano vezje	Napajalni vod	Baterija	Kovinski del	Adapter
Svinec (Pb)	○	✘	✘	✘	○	✘
Živo srebro (Hg)	○	○	○	○	○	○
Kadmij (Cd)	○	○	○	○	○	○
Krom VI (Cr (VI))	○	○	○	○	○	○
Polibrominirani bifenili PBB	○	○	○	○	○	○
Polibromirani difeniletri (PBDE)	○	○	○	○	○	○

○ : pomeni, da je vsebnost nevarnih in škodljivih snovi v sestavnem delu manjša od meje, navedene v standardu SJ/T11363-2006.

✘ : pomeni, da vsebnost nevarnih in škodljivih snovi vsaj v sestavnem delu presega mejo, navedeno v standardu SJ/T11363-2006.

OPOMBA

Vsebnost svınca v nekaterih pasivnih elektronskih sestavnih delih za posebno uporabo (kot so visokonapetostni upornik, keramični upornik in dioda ipd.) z „X“ v preglednici je lahko višja od 0,1 %. Vsebnost jedra vijaka in svınca v visoko zmogljivi zlitini, ki jo vsebuje kabel USB, je lahko tudi višja od 0,1 %. Takšni sestavni deli so skladni s posebnimi določbami direktive EU ROHS. Pri tehnologijah in sestavnih delih, ki jih zaradi omenitev ravni tehnološkega razvoja ni mogoče nadomestiti, je vsebnost svınca zunanjih kontaktnih elementov skladna z zahtevami za zaščito okolja.

VARNOSTNE

Omejitev uporabe

- Izdelek se uporablja samo za čiščenje tal v domačem okolju ter ga ni dovoljeno uporabljati na prostem (npr. na odprti terasi), na višini (npr. na sedežni garnituri) in v komercialnem ali industrijskem okolju
- Izdelka ne uporabljajte v vmesnih etažah (npr. v odprtih podstrešnih etažah, odprtih terasah in na vrhu pohištva), ki nimajo zaščitne ograje.
- Izdelka ne uporabljajte pri temperaturah, ki presegajo 40 °C ali so nižje od 0 °C in ne uporabljajte ga, če so na tleh tekočine in lepljive snovi.
- Pred uporabo poberite kable s tal in jih obesite, da jih gostitelj ne bo vlekel.
- Krhke predmete in smeti (na primer vaze in plastične vrečke ipd.) poberite s tal, da ne boste poškodovali dragocenosti, če bi se gostitelj kje zataknil ali rahlo trčil.
- Ljudje s telesnimi ali duševnimi okvarami ali z motnjami zaznavanja (vključno z otroci) tega izdelka ne smejo uporabljati ali upravljati
- Otroci tega izdelka ne smejo uporabljati kot igračo. Ko gostitelj deluje, poskrbite, da v bližini ne bo otrok in hišnih ljubljencev.
- Poskrbite, da glavna krtača in drugi pripomočki za čiščenje ne bodo v dosegu otrok.
- Na mirujoči ali premikajoči se aparat ne postavljajte predmetov (nanj pa tudi ne smejo stopati otroci in hišni ljubljenci).
- Ko robot deluje, pazite, da v dovodu za sesanje ne bo las, prstov ali drugih delov človeškega telesa.
- Izdelka ne uporabljajte za sesanje gorečih predmetov (kot so tleči cigaretni ogorki).
- Izdelka ne uporabljajte za čiščenje preprog z visokim florom (določene temne preproge ne bi bile normalno očiščene).
- Preprečite, da bi gostitelj posesal trde ali ostre predmete (kot so odpadni dekorativni materiali, steklo in železni žebliji itd.).
- Robota ne premikajte tako, da bi ga držali za zaščitni pokrov laserskega senzorja za razdaljo in odbijača za blaženje trkov.
- Gostitelja in polnilni podstavek čistite in vzdržujte v stanju, ko je izklopljen ali ko je odklopljeno napajanje.
- Nobenega dela izdelka ne brišite z vlažno krpo ali kakršno koli tekočino.
- Izdelek uporabljajte v skladu z uporabniškim priročnikom. Za kakršno koli škodo ali telesne poškodbe, do katerih bi prišlo zaradi nepravilne uporabe, je odgovoren uporabnik.
- Funkcije pomivanja tal ne uporabljajte za preproge ali zgornje dele pohištva.
- Medtem ko se robot polni, ne smete pozabiti odstraniti posode za vodo.

Baterija in polnjenje

- Ne uporabljajte baterije, polnilnega podstavka ali polnilnika, ki jih dobavljajo tretji proizvajalci.
- Polnilnega podstavka ali baterije ne smete arbitrarno razstavljati, izdelovati ali ponovno nameščati.
- Poskrbite, da polnilni podstavek ne bo v bližini vira toplote (na primer grelne plošče).
- Kontakta polnilnega podstavka ne brišite ali čistite z vlažno krpo ali vlažnimi rokami.
- Rabljenih baterij ne odlagajte arbitrarno. Rabljene baterije mora odstranjevati profesionalno podjetje za recikliranje.
- Če je napajalni vod poškodovan ali okvarjen, ga takoj nehajte uporabljati in ga zamenjajte po uradni poti.
- Poskrbite, da bo gostitelj med transportom izklopljen in da bo v originalni embalaži.
- Če robota dlje časa ne boste uporabljali, ga morate do konca napolniti ter nato shraniti na hladno in suho mesto. Vsaj vsake 3 mesece ga napolnite, da se baterije zaradi prekomernega praznjenja ne bi poškodovale.

Varnostne informacije o laserjih

- Laserski senzor za razdaljo pri izdelku je skladen s standardom za laserske izdelke razreda 1 IEC60825 in ne oddaja nevarnega laserskega sevanja.

Navodila za uporabo Smart WiFi aplikacije lahko najdete na:
<https://tesla.info/wp-content/uploads/pdf/TeslaVCR600Wapp.pdf>



Samo za domaćinstvo.
Pre upotrebe pažljivo pročitajte uputstvo za upotrebu.

Hvala što ste odabrali naš Pametni Robot Usisivač!

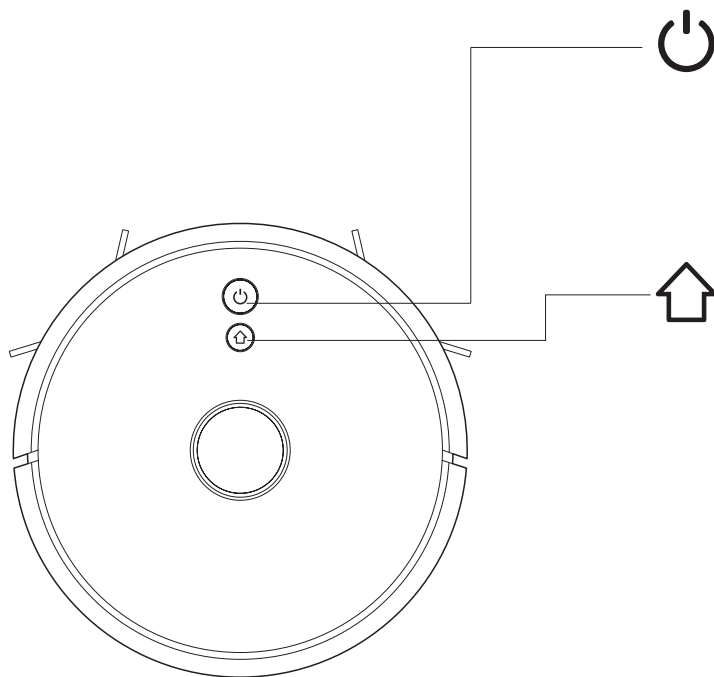
To je vrhunski robot za inteligentno planiranje za čišćenje koji kombinuje radar visoke preciznosti i razne senzore koji mogu realizovati saradnju putem navigacionog algoritma, crtati mapu sobe u realnom vremenu i planirati rutu čišćenja, a sadrži automatsko čišćenje i automatsko punjenje bez ručne intervencije. Ima izuzetno jaku usisnu snagu, kutiju za prašinu velikog kapaciteta, HEPA filter koji se može prati i usvaja efikasan način čišćenja.

Možete da preuzmete mobilnu APP pomoću telefona da biste proverili mapu čišćenja i radni status robota u aplikaciji u realnom vremenu, definisali područje čišćenja i raspored. Možete robotom upravljati daljinski. Nauka i tehnologija čine život boljim.

Želimo vam ugodno korisničko iskustvo!

PREDSTAVLJANJE PROIZVODA

Ključne funkcije



Sweep/ON &OFF

- Kratak pritisak da započnete Čišćenje/Pauzu
- Dugačak pritisak 3s za UKLJUČENO/ISKLJUČENO
- Dugo pritisnite 15s za prinudno isključivanje pod nenormalnim okolnostima

Punjenje/ lokalno čišćenje

- Kratko pritisnite Punjenje / Pauziraj
- Dugo pritisnite da biste započeli lokalno čišćenje

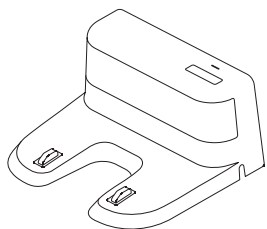
Signalna svetla

- Plava: normalan rad ili punjenje
- Crvena: Nenormalno stanje ili prazna baterija
- Ljubičasta: Robot nije povezan na mrežu

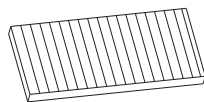
Reset WiFi-ja

- Pritisnite oba tastera istovremeno tokom 3s

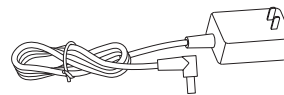
Lista Delova



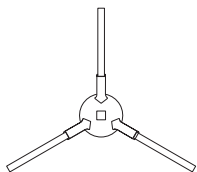
Baza za punjenje x1



HEPA filter+sunder filter x1



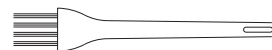
Adapter x1



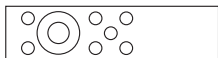
Leva bočna četka x2
Desna bočna četka x2



Četka za čišćenje sa nožem x1 (opcionalno)

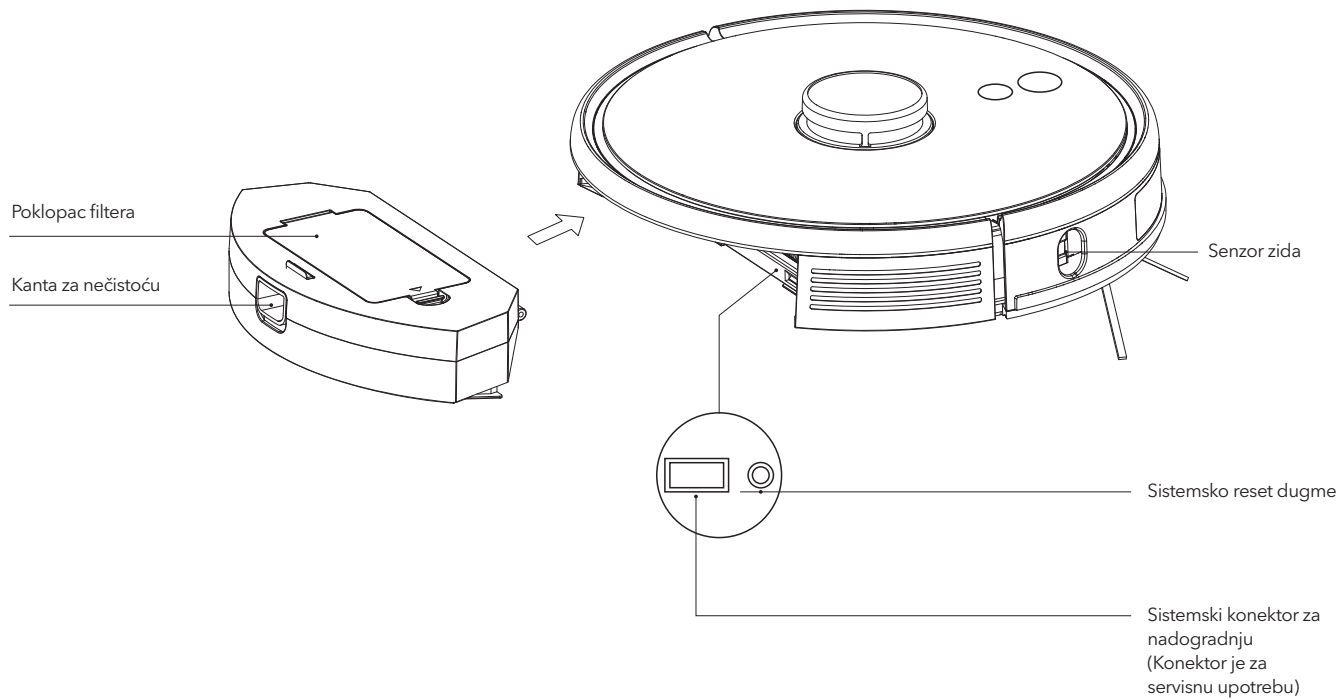


Četka za čišćenje x1 (opcionalno)

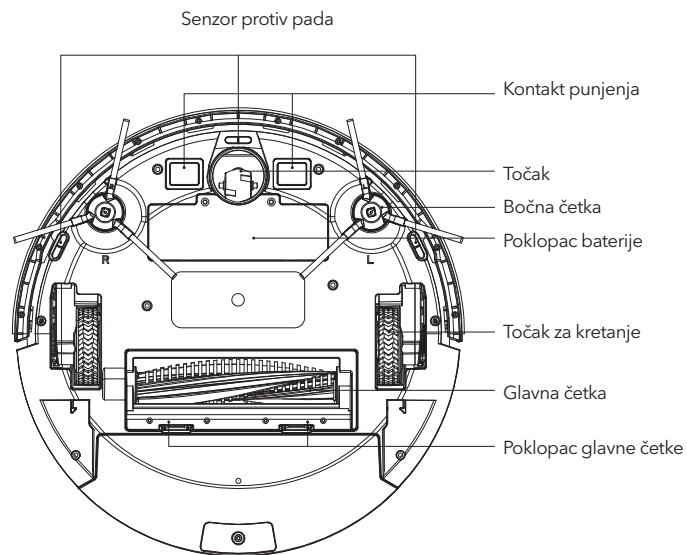
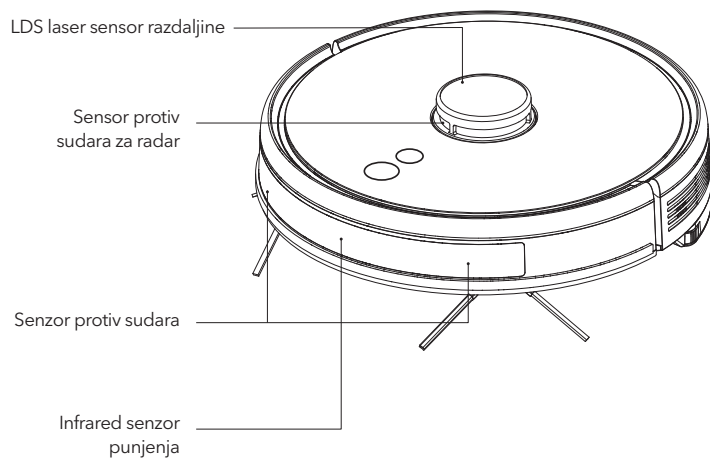


Daljinski upravljač x1
(opcionalno)

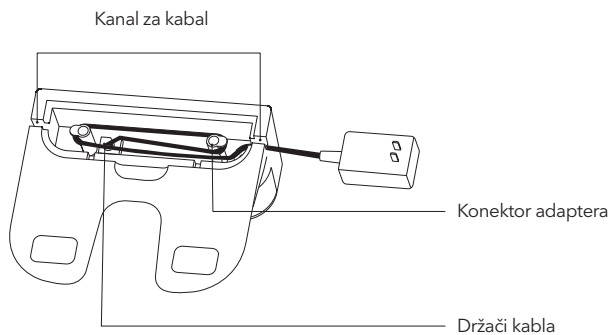
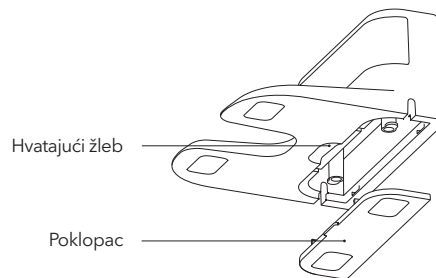
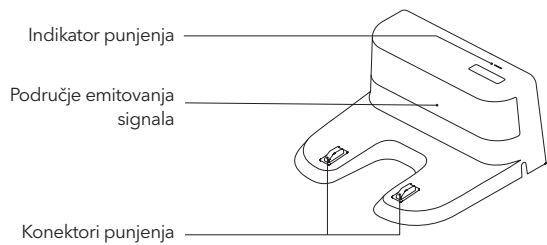
Robot



Senzori i kućište

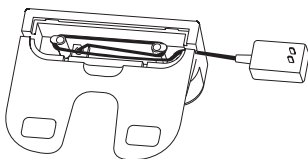


Charging Base

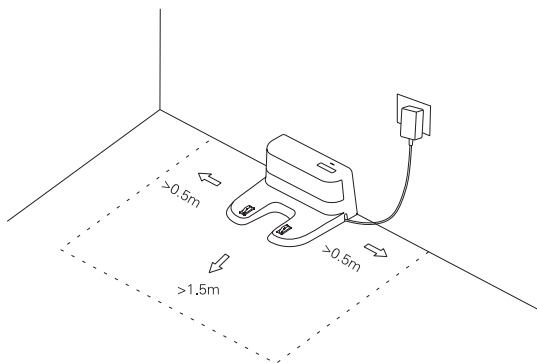


INSTALACIJA

1. Priključite adapter i uvucite višak kabla



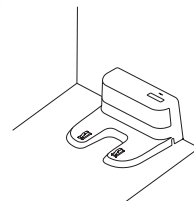
2. Postavite bazu za punjenje uz zid i priključite napajanje



⋮ NAPOMENA

- Osigurajte prostor veći od 0,5 m sa obe strane baze za punjenje i prostor od minimum 1,5m u prednjem delu
- Ako je kabal položen na zemlju, robot ga može povući i shodno tome baza za punjenje se može isključiti
- Indikator punjenja je aktiviran kada je uključen i isključuje kada se napuni

3. Molimo vas da ne pomerate podnožje za punjenje proizvoljno i držite ga dalje od direktne sunčeve svetlosti

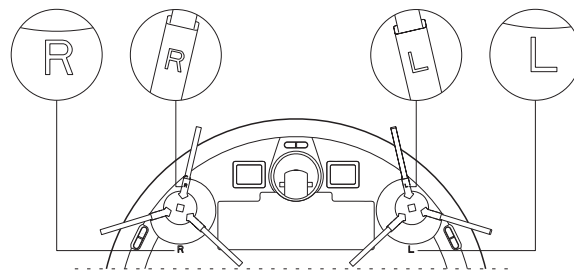


⋮ NAPOMENA

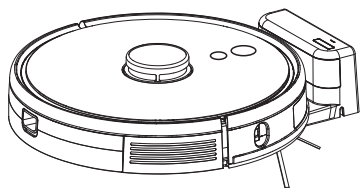
- Ako se baza za punjenje premesti, robot može pogrešiti u pozicioniranju i izgubiti mapu. Kada se ponovo pokrene, robot će ponovo izgraditi i memorisati mapu, obnovljena mapa može izgubiti informacije o čišćenju zabranjenih područja i drugih područja
- Direktna sunčeva svetlost ometaće signal za punjenje i posledično robot možda neće moći da se vrati na bazu za punjenje

4. Montiranje bočnih četki

Neka leva bočna četka (L) i desna bočna četka (R) odgovaraju L i R na donjem kućištu, pritisnite L i R i bočne četke se postave dok ne čujete zvuk „klikljanja“



5. Paljenje i punjenje



Dugo pritisnite  da uključite robota. Punitite robota na bazi za punjenje kada lampica indikatora napajanja normalno gori.

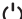
NAPOMENA

Ako se mašina ne može pokrenuti zbog prazne baterije, napunite robota na bazi za punjenje i robot će se automatski pokrenuti. Robot može normalno da radi samo kada je nivo baterije $\geq 20\%$.

6. Povežite mobilnu aplikaciju (ovaj korak se može preskočiti)

Pogledajte uputstva za WiFi vezu, a zatim povežite mobilnu aplikaciju

7. Počnite čišćenje

Nakon što se robot uključi, kratko pritisnite taster  na robotu ili koristite mobilnu aplikaciju da biste započeli čišćenje (pritisnite bilo koje dugme da biste napravili pauzu tokom upotrebe)

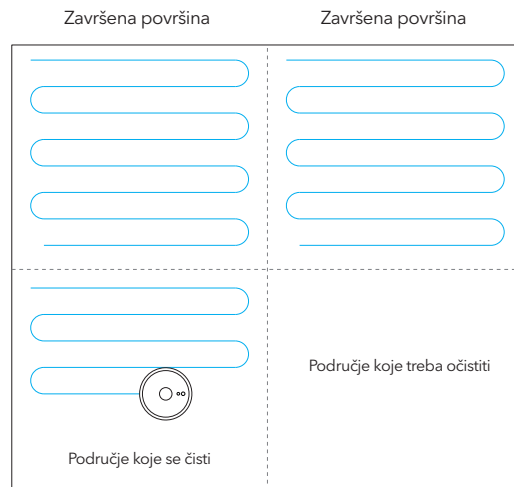
NAPOMENA

- Robot za čišćenje ne može se koristiti za uklanjanje tečnosti
- Ako je nivo napunjenosti baterije manji od 20%, robot ne može da radi. Molimo, napunite ga
- Robot će se automatski vratiti na bazu za punjenje ako je nivo baterije napunjenje manje od 20% u upotrebi i biće isključen i započeće čišćenje automatski nakon što nivo baterije dostigne 80%
- Molimo očistite razne kablove (uključujući i adapter od baze za punjenje) pre upotrebe, da bi se izbegli prekidi i oštećenja predmeta ili kablova kada robot vuče kablove

UPUTSTVO

Režim čišćenja

Nakon što se robot uključi, skeniraće i generisati mapu i inteligentno je podeliti na područja. Zatim će uredno, efikasno i temeljito preći područja po zidu i planirati put čišćenja u obliku luka / S. Robot će se automatski vratiti na bazu za punjenje nakon čišćenja




NAPOMENA

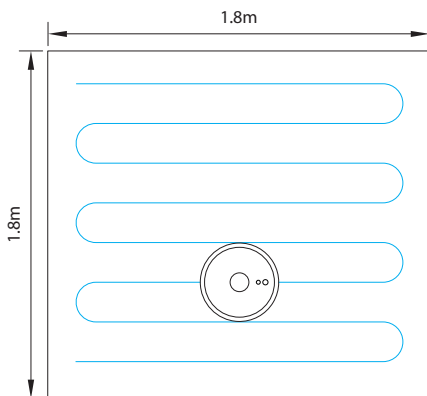
Ne pomerajte robota nemarno i često dok čisti. Nakon premeštanja, stavite robota blizu prvobitnog položaja. Kada se ponovo pokrene, pokušaća da se repositionira. Nakon uspešnog pozicioniranja, sledio bi planirani put i nastavio da radi. Ako pozicioniranje ne uspe, robot će prekinuti prethodnu misiju, napraviti mapu i ponovo izvršiti čišćenje. Čak i možda neće pronaći bazu za punjenje.

Spot čišćenje

Kada lokalnom području treba dubinsko čišćenje, korisnik na APP-u odredi tačku na mapi, mašina će se automatski odvesti do blizine tačke, uzeti tačku kao centar i očistiti unutar 1,5 m k 1,5 m.

Parcijalno čišćenje

Kada robot ne može da kontroliše mobilna aplikacija, uklonite robota na mesto koje želite da očistite. Dugo pritisnite dugme  3 sekunde i robot će očistiti dva puta u opsegu od 1,8mk1,8m centrirajući se na sebe



Korisničko definisano područje za čišćenje

Pomoću mobilne aplikacije postavite veličinu i lokaciju površine koju želite da očistite. Možete postaviti jedno ili više područja. Robot bi očistio prema oblastima koje ste postavili.

Zabranjena zona

Podesite jedno ili više zabranjenih područja pomoću mobilne aplikacije. Robot neće čistiti zabranjena područja već druga područja.


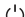
NAPOMENA

- Robot može upasti u zabranjeno područje zbog grešaka u pozicioniranju, abnormalnosti senzora i drugih razloga.
- Stalna zabranjena zona može postati nevaljana zbog velike promene
- položaja baze za punjenje i nameštaja. Stoga, molim vas pokušajte da se ne pomeri ili ometa robota tokom čišćenja.
- Stalno zabranjeno područje bi se izgubilo kada se mapa ponovo izgradi

Čišćenje po rasporedu

Čišćenje po rasporedu može da postavi mobilna aplikacija. Robot će automatski započeti čišćenje u zakazano vreme i vratiti se na bazu za punjenje nakon čišćenja.

WiFi reset

Ako mobilni telefon ne može da se poveže sa uređajem zbog promene konfiguracije rutera i lozinke ili iz drugih razloga, pritisnite taster  i taster  istovremeno u trajanju od 3s dok se ne dobije glasovni upit „WiFi je resetovan“ i indikatorna lampica postane ljubičasta i polako treperi.



DND režim (ne uzmeniravaj)

Robot neće ni čistiti pod ni automatski izdati glas u režimu DND. Dostupno vreme DND režima može se pokrenuti ili izmeniti pomoću mobilne aplikacije.

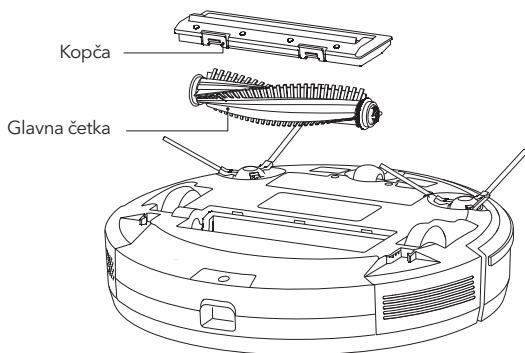
Podešavanje usisne snage

Usisnu snagu možete podesiti na tihi nivo, standardni nivo i visok nivo.

REDOVNO ODRŽAVANJE

Glavna četka (redovno je čistite)

1. Okrenite robota i pritisnite kopču na poklopcu četke za čišćenje da biste izvadili četku za čišćenje
2. Uklonite prašinu izvana i unutar četke za čišćenje pomoću male četke i očistite četku za čišćenje
3. Vratite četku za čišćenje i čvrsto pritisnite poklopac četke za čišćenje da biste fiksirali kopču

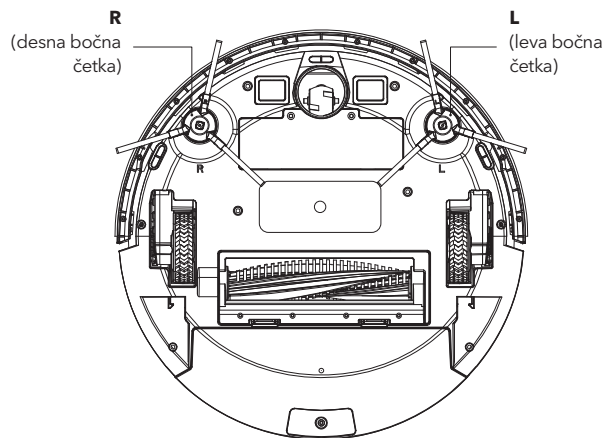


Bočna četka (redovno je čistite)

1. Preokrenite robota i izvucite bočnu četku prema gore
2. Uklonite kosu i prljavštinu i ponovo sastavite bočnu četku
3. Neka leva bočna četka (L) i desna bočna četka (R) odgovaraju L i R na donjem kućištu, pritisnite L i R da biste ih ponovo postavili

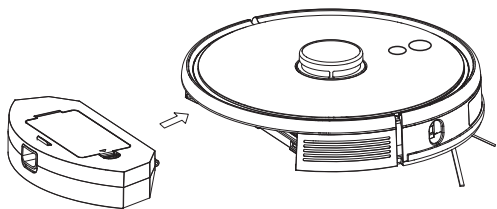
NAPOMENA

Zamenite bočne četke svaka 3-6 meseci kako bi ste osigurali efekat čišćenja

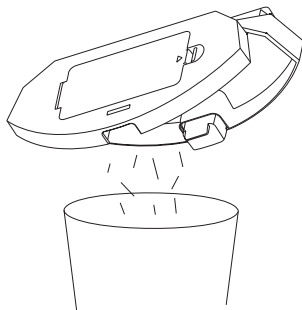


Kutija za prašinu (redovno ga čistite)

1. Pritisnite dugme i izvucite kantu za smeće unazad

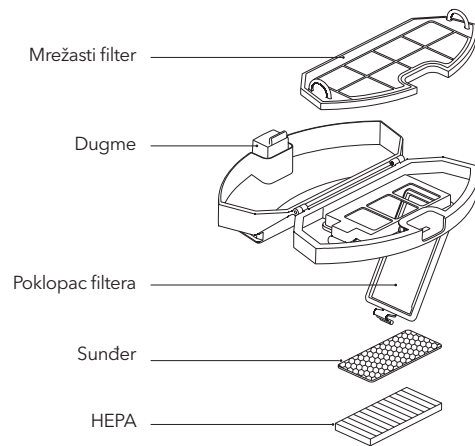


2. Otvorite i očistite kantu za smeće



Čišćenje filtera (redovno ga čistite)

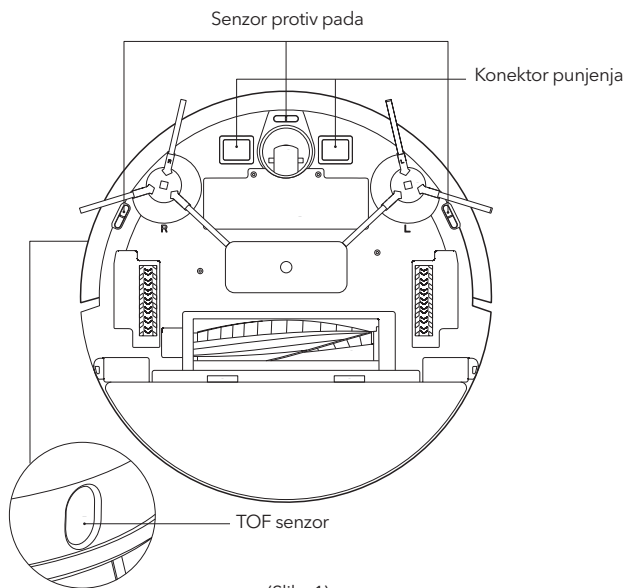
1. Nakon duže upotrebe, uklonite filtar, sunder i HEPA
2. Očišćenu uklonjenu filtarsku gazu, sunder i HEPA pod vodom
3. Otrсите kapljice vode i osušite ih prirodno, a zatim upotrebite nakon potpunog sušenja
4. Nakon što se osuši, sklopite ga redom, mrežasti filter- sunder -HEPA



Senzor (redovno ga čistite)

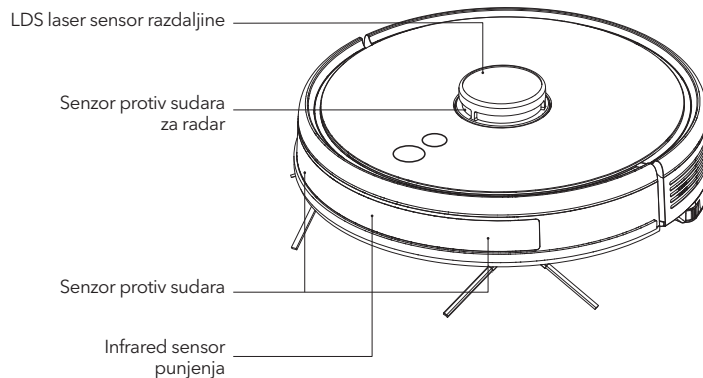
Očistite senzore mekom krpom, što uključuje:

1. Očistite senzore duž zida s desne strane
2. Tri senzora protiv pada na dnu domaćina
3. Infracrveni senzor za izbegavanje na prednjoj strani domaćina
4. Senzor za izbegavanje radara na vrhu hosta
5. Zaštita od električnog udara i osnovni kontakt za punjenje na dnu robota (isključite struju tokom čišćenja)
6. Područje prenosa signala baze za punjenje

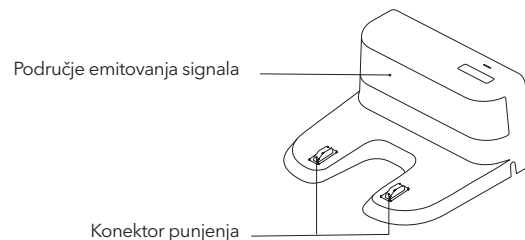


(Slika 1)

Senzor (mesečno čišćenje)



(Slika 2)



(Slika 3)

Baterija

- Robot je opremljen litijum-jonskim baterijama visokih performansi. Da biste održali performanse baterije, održavajte robota napunjenim u svakodnevnoj upotrebi
- Ako robot ostane dugo neiskorišćen, isključite ga i pravilno držite. Puniti ga najmanje svaka 3 meseca kako biste izbegli oštećivanje baterija zbog prekomernog pražnjenja

Nadogradnja firmvera

Nadogradite firmver pomoću mobilne aplikacije. Ako se otkrije novi firmver, nadogradite ga prema uputstvu. Nivo napunjenosti baterije bi trebalo da bude $\geq 50\%$ tokom nadogradnje firmvera, tako da robot treba da se postavi na bazu za punjenje.

Reset sistema

Skinite kutiju za prašinu, otvorite gumeni čep i pritisnite reset taster (pogledajte stranicu 4). Trenutna mapa će se izgubiti i vreme, WiFi i personalizovana podešavanja će se pratiti nakon resetovanja.

UOBIČAJENI PROBLEMI

Problem	Rešenje
Robot se ne može pokrenuti	<ul style="list-style-type: none"> • U slučaju niskog nivoa baterije, postavite robota na bazu za punjenje i poravnajte ga sa pločicom elektrode, robot će se automatski pokrenuti (ako je robot potpuno isključen, može se automatski pokrenuti nakon nekog vremena na punjaču) • Ako je temperatura okoline niža od 0°C ili viša od 50°C, koristite ga na temperaturi od 0-40°C
Robot se ne može napuniti	<ul style="list-style-type: none"> • Udaljite robota, proverite da li svetli indikator na bazi za punjenje i potvrdite da su oba kraja adaptera za napajanje baze za punjenje su dobro povezani • U slučaju lošeg kontakta, očistite kontakt baze za punjenje i kontakt za punjenje na robotu ili pritisnite bočnu četku u stranu
Robot se ne može napuniti	Robot je predaleko od baze za punjenje, stavite robota blizu baze za punjenje i pokušajte ponovo
Abnormalno ponašanje	Isključite i ponovo pokrenite robota
Nenormalna buka u upotrebi	Glavnu četku, bočnu četku ili točak mogu blokirati strane materije, isključite robota, uklonite glavnu četku i uklonite strane materije
Sposobnost čišćenja opada ili prašina ispada	<ul style="list-style-type: none"> • Kutija za prašinu je puna, očistite je • Filter je blokiran, obrišite ga ili zamenite • Glavna četka je upletena stranim materijama, uklonite glavnu četku i uklonite strane materije
WiFi ne može da se poveže	<ul style="list-style-type: none"> • WiFi signal je loš, uverite se da je pokriven WiFi signalom • WiFi je povezan loše, resetujte WiFi, preuzmite najnoviju APP i pokušajte da je ponovo povežete • Lozinka je pogrešno uneta • Ruter je dostupan za 5G frekventijski opseg, robot za čišćenje je dostupan samo za 2,4G frekventijski opseg
Čišćenje sa fiksnim vremenom nije uspelo	U slučaju niskog nivoa baterije, čišćenje na određeno vreme može da se započne samo kada nivo baterije nije manji od 30%
Da li robot troši energiju ako je uvek postavljen na bazu za punjenje	Robot troši malo energije ako je uvek postavljen na bazu za punjenje i omogućava najbolje performanse baterije
Da li robot treba da se puni 16 sati prva tri puta	Litijumska baterija se može koristiti odmah nakon punjenja i nema memorijski efekat

REŠAVANJE PROBLEMA

Zvučni signal	Rešenje
Greška 1: Ne mogu da pronadem sakupljač prašine	Čišćenje se pokreće kada se kutija za prašinu izvadi
Greška 2: Proverite da li je radar na vrhu pokriven ili blokiran	Gornji radar je pokriven ili postavljen na otvorenom prostoru (nema prepreka unutar površine 6×6m ²)
Greška 3: Postavite me na novu lokaciju i pokušajte ponovo	Podignite robota ili ga premestite na drugu lokaciju
Greška 4: Očistite senzor litice i ponovo me pokrenite sa nove lokacije	Senzor ivice je pokriven ili postavljen na visini
Greška 5: Očistite prednji senzor i ponovo me pokrenite sa nove lokacije	Infracrveni senzor izbegavanja je prljav ili prekriven
Greška 6: Očistite desni senzor i ponovo me pokrenite sa nove lokacije	Zidni senzor je prljav ili prekriven
Greška 7: Očistite kućište radara na vrhu i ponovo me pokrenite sa nove lokacije	Radarski senzor je prljav ili prekriven
Greška 8: Proverite da li je branik na neki način blokiran	Senzor ivice ili sudara je zaglavljen
Greška 9: Očistite posudu za prašinu i filter	Kutija za prašinu je puna ili je potrebno zameniti filtersku mrežu
Greška 10: Posuda za prašinu je uklonjena, očistite posudu i filter	Nakon što se izda greška 9, korisnik vadi kutiju za prašinu i aktivira se greška 10
Greška 11: Zaglavio sam	Robot je zaglavljen
Greška 12: Postavite me ispravno!	Robot je nagnut
Greška 13: Proverite da li su mi točkovi negde blokirani	Pogonski točak je zaglavljen ili upleten, uklonite strane delove
Greška 14: Proverite da li se glavna četka zaglavila	Glavna četka je upletena ili zaglavljena, uklonite je i uklonite strane materije
Greška 15: Proverite da li su se bočne četkice zaglavile	Bočna četka je upletena ili zaglavljena, uklonite je i uklonite strane materije
Greška 16: Gde je priključna stanica	Baza za punjenje nije pronađena ili nije priključena
Greška 17: Programska greška, ponovo me pokrenite	Abnormalnosti su uzrokovane nepoznatim kvarom, ponovo pokrenite robota
Greška 18: Došlo je do greške pri pokretanju isključivanja	Robot podseća korisnika i automatski se gasi ili se puni
Greška 19: prazna baterija, napunite	Kada je nivo baterije prenizak i robot nije na bazi za punjenje, pokreće se čišćenje (nivo baterije je niži od 10%)
Greška 20: Uklonite sa stanice za punjenje da biste isključili napajanje	Robot se gasi kada se napuni na bazi za punjenje

SADRŽAJ I NAZIV OPASNIH SUPSTANCI

Opasne supstance	Naziv dela					
	Plastično kućište	Štampana ploča	Naponska linija	Baterija	Metalni delovi	Adapter
Olovo (Pb)	○	✘	✘	✘	○	✘
Živa (Hg)	○	○	○	○	○	○
Cadmium (Cd)	○	○	○	○	○	○
Hrom VI (Cr (VI))	○	○	○	○	○	○
Polibromovani bifenili (PBB)	○	○	○	○	○	○
Polibromovani difenil eteri (PBDE)	○	○	○	○	○	○

○ : znači da je sadržaj opasnih i štetnih materija u komponenti manji od ograničenja predviđenog SJ / T11363-2006

✘ : znači da sadržaj opasnih i štetnih supstanci u najmanje toj komponenti prelazi ograničenje predviđeno SJ / T11363-2006



NAPOMENA

Sadržaj olova u nekoliko lepljivih elektronskih komponenta za posebnu upotrebu (kao što su visokonaponski otpornik, keramički otpornik i dioda, itd.) U tabeli „X“ može biti veći od 0,1%. Sadržaj olova u leguri visokih performansi sadržanoj u USB kablju takođe može biti veći od 0,1%. Takve komponente su u skladu sa klauzulama o izuzeću EU ROHS. Za tehnologije i komponente koje se ne mogu zameniti zbog ograničenja nivoa tehnološkog razvoja, sadržaj olova u spoljnim kontaktiranim elementima je u skladu sa zahtevima zaštite životne sredine.

BEZBEDNOSNE INFORMACIJE

Ograničenja u upotrebi

- Proizvod se koristi za čišćenje poda samo u kućnom okruženju i ne može se koristiti za spoljašnjost (poput otvorene terase), nameštaja (poput sofe) i komercijalno ili industrijsko okruženje
- Molimo vas da proizvod ne koristite u sredinama bez zaštitne ograde (kao što su potkrovlje, otvorena terasa i nameštaj)
- Nemojte koristiti proizvod na temperaturi iznad 40°C ili ispod 0°C ili kada na zemlji ima tečnosti i lepljivih materija
- Prikažite kablove o zemlju pre upotrebe kako biste izbegli da ih robot vuče
- Očistite krhke predmete i nečistoće (poput vaze, plastične kese itd.) na zemlji kako biste izbegli oštećivanje dragocenosti kada je robot zaglavljen.
- Ljudima sa fizičkim, duhovnim ili perceptivnim poremećajima (uključujući decu) nije dozvoljeno da koriste robota ili da njime upravljaju
- Deca ne mogu da koriste proizvod kao igračku. Molimo vas da decu i kućne ljubimce držite dalje kada robot radi
- Držite glavnu četku i druge alate za čišćenje van domašaja dece
- Ne stavljajte predmete (uključujući decu i kućne ljubimce) na robota u stanju mirovanja ili kretanja
- Držite kosu, prste i druge delove ljudskog tela ili kućnih ljubimaca dalje od usisnog otvora dok robot radi
- Nemojte koristiti proizvod za čišćenje zapaljenih predmeta (kao što je zapaljeni kraj cigarete)
- Nemojte koristiti robota za čišćenje dugodlakog tepiha (neki tamni tepisi možda se neće normalno čistiti)
- Sprečite robota da usisava tvrde ili oštre predmete (kao što su otpadni ukrasni materijali, staklo i gvozdeni ekser itd.)
- Molimo vas da ne pomerate robota držeći zaštitni poklopac laserskog senzora daljine i odbojnika
- Očistite ili održavajte robota i bazu za punjenje u stanju isključenja
- Nemojte brisati bilo koji deo proizvoda vlažnom krpom ili bilo kojom tečnošću
- Molimo koristite proizvod prema uputstvu za upotrebu. Korisnik treba biti odgovoran za bilo kakvu štetu i povrede nastale nepravilnom upotrebom

Baterija i punjenje

- Molimo vas da ne koristite bateriju, bazu za punjenje ili punjač treće strane
- Nemojte samovoljno demontirati, praviti ili popravljati bateriju ili bazu za punjenje
- Držite podnožje za punjenje dalje od izvora toplote (kao što je grejna ploča)
- Nemojte brisati ili čistiti kontakte baze za punjenje mokrom krpom ili mokrom rukom
- Molimo vas da ne ostavljate bateriju proizvoljno. Iskorišćene baterije treba zbrinuti u profesionalnoj agenciji za reciklažu
- Ako je električni vod oštećen ili slomljen, odmah ga isključite i zamenite u servisu
- Uverite se da se robot isključuje tokom transporta, proizvod treba da se transportuje u originalnoj ambalaži
- Ako robot ostane dugo nekorišćen, treba ga potpuno napuniti i staviti na hladno i suvo mesto. Puniti robota najmanje svaka 3 meseca kako biste izbegli oštećenje baterija usled prekomernog pražnjenja

Informacije o laserskoj bezbednosti

- Laserski senzor rastojanja proizvoda u skladu je sa standardom za laserske proizvode klase 1 IEC60825 i ne proizvodi opasno lasersko zračenje

Korisničko uputstvo za korišćenje Smart Wifi aplikacije možete pronaći na:

<https://tesla.info/wp-content/uploads/pdf/TeslaVCR600Wapp.pdf>



TESLA

tesla.info

